

## HD-TX-201-C-2G-E

### DM Lite Multifunction Switch and Transmitter

#### DO Install the Device

Install the device into a 2-gang electrical box (not included). A minimum mounting depth of 2 inches (51 mm) is required.

To install the device:

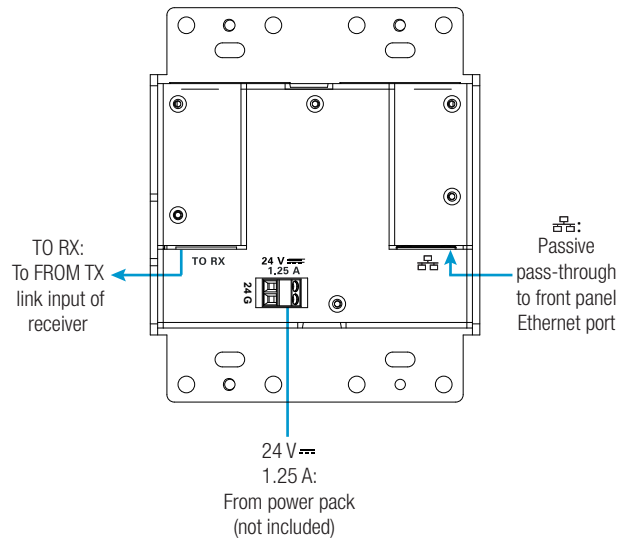
1. On the rear of the device, make connections to the TO RX and Ethernet ports.

#### NOTES:

- For the 24 Vdc power connection, connect a power pack to either the transmitter or a compatible receiver. Do not connect a power pack to both devices simultaneously. Power is transmitted over the cable that connects the TO RX port on the transmitter to the FROM RX port on the receiver.

A power pack is not included with the transmitter. When the transmitter is used with a DM Lite surface-mount receiver, the transmitter receives power from the power pack that ships with and connects to the receiver.

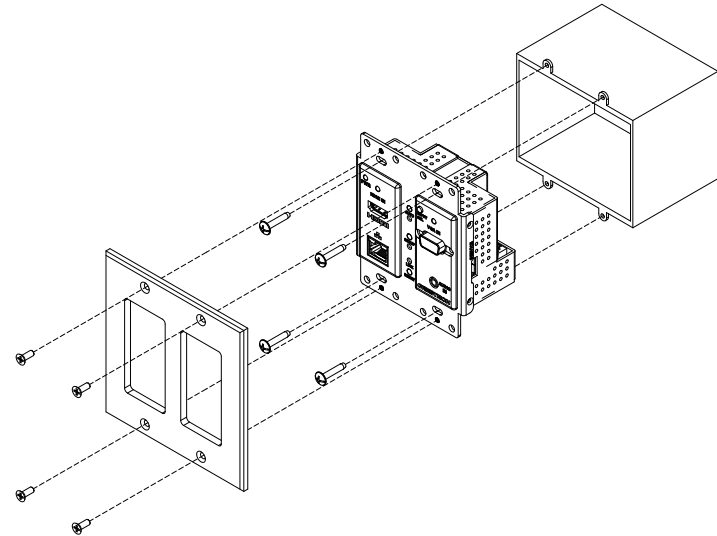
- Cabling that connects the TO RX port to the FROM TX port is designed for intrabuilding use only.



#### DO Check the Box

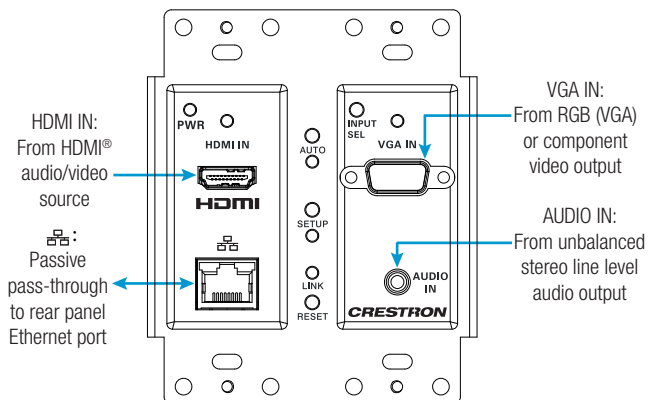
QTY	ITEM	PART NUM.
4	Screw, 6-32 x 3/4", Truss Head, Combo	2009211

2. Using a Phillips screwdriver (not included), attach the device to the electrical box using the four included #6-32 x 3/4-inch truss combo head screws.
3. Attach a decorator-style faceplate (sold separately) to the front panel of the device using four screws (not included).

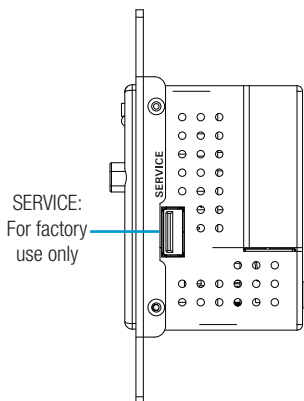


## DO Connect the Device

Connect the device as required for the application.



The SERVICE port is for factory use only.



## DO Configure the Device

To configure the device, do either of the following:

- If the transmitter connects to an HD-RX-201-C-E, the HD-RX-201-C-E hosts the configuration of the transmitter. As a result, configure the transmitter using the web interface of the HD-RX-201-C-E.

To access the web interface, open a web browser and then go to the IP address of the HD-RX-201-C-E. By default, DHCP is enabled. To display the IP address on the connected HDMI display, press the **SETUP** button on the front panel of the HD-RX-201-C-E. Pressing the **SETUP** button on the transmitter will also display the IP address of the HD-RX-201-C-E.

To log in to the web interface, enter the user name and password. The default user name and password are both *admin*.

- If the transmitter does not connect to an HD-RX-201-C-E, refer to Answer ID 1000168 in the Online Help section of the Crestron website ([www.crestron.com/onlinehelp](http://www.crestron.com/onlinehelp)) for configuration information.

**NOTE:** When the transmitter does not connect to the HD-RX-201-C-E, pressing the **SETUP** button on the transmitter has no effect.

## DO Learn More

Visit the website for additional information and the latest firmware updates. To learn more about this product, use a QR reader application on your mobile device to scan the QR image.

**Crestron Electronics**  
15 Volvo Drive, Rockleigh, NJ 07647  
888.CRESTRON | [www.crestron.com](http://www.crestron.com)



As of the date of manufacture, the product has been tested and found to comply with specifications for CE marking.



This product is Listed to applicable UL Standards and requirements tested by Underwriters Laboratories Inc. Ce produit est homologué selon les normes et les exigences UL applicables par Underwriters Laboratories Inc.

### Federal Communications Commission (FCC) Compliance Statement

This device complies with part 15 of the FCC Rules. Operation is subject to the following two conditions:

(1) This device may not cause harmful interference, and (2) this device must accept any interference received, including interference that may cause undesired operation.

**CAUTION:** Changes or modifications not expressly approved by the manufacturer responsible for compliance could void the user's authority to operate the equipment.

**NOTE:** This equipment has been tested and found to comply with the limits for a Class B digital device, pursuant to part 15 of the FCC Rules. These limits are designed to provide reasonable protection against harmful interference in a residential installation. This equipment generates, uses and can radiate radio frequency energy and, if not installed and used in accordance with the instructions, may cause harmful interference to radio communications. However, there is no guarantee that interference will not occur in a particular installation.

If this equipment does cause harmful interference to radio or television reception, which can be determined by turning the equipment off and on, the user is encouraged to try to correct the interference by one or more of the following measures:

- Reorient or relocate the receiving antenna.
- Increase the separation between the equipment and receiver.
- Connect the equipment into an outlet on a circuit different from that to which the receiver is connected.
- Consult the dealer or an experienced radio/TV technician for help.

### Industry Canada (IC) Compliance Statement

CAN ICES-3(B)/NMB-3(B)

The specific patents that cover Crestron products are listed at [www.crestron.com/legal/patents](http://www.crestron.com/legal/patents).

The product warranty can be found at [www.crestron.com/legal/sales-terms-conditions-warranties](http://www.crestron.com/legal/sales-terms-conditions-warranties).

Certain Crestron products contain open source software. For specific information, visit [www.crestron.com/legal/open-source-software](http://www.crestron.com/legal/open-source-software).

Crestron and the Crestron logo are either trademarks or registered trademarks of Crestron Electronics, Inc., in the United States and/or other countries. HDMI and the HDMI logo are either trademarks or registered trademarks of HDMI Licensing LLC in the United States and/or other countries. UL and the UL logo are either trademarks or registered trademarks of Underwriters Laboratories, Inc. in the United States and/or other countries. Other trademarks, registered trademarks, and trade names may be used in this document to refer to either the entities claiming the marks and names or their products. Crestron disclaims any proprietary interest in the marks and names of others. Crestron is not responsible for errors in typography or photography.

This document was written by the Technical Publications department at Crestron.

©2018 Crestron Electronics, Inc.