



View this document in HTML
crestron.com/docs/9547



RMK-6U-8V

Rack Mount Kit for 8 Room Box Endpoints, 6RU

Have feedback on this document? Contact docfeedback@crestron.com.

The original language version of this document is U.S. English.
All other languages are a translation of the original document.

Crestron product development software is licensed to Crestron dealers and Crestron Service Providers (CSPs) under a limited nonexclusive, nontransferable Software Development Tools License Agreement. Crestron product operating system software is licensed to Crestron dealers, CSPs, and end-users under a separate End-User License Agreement. Both of these Agreements can be found on the Crestron website at www.crestron.com/legal/software_license_agreement.

The product warranty can be found at www.crestron.com/warranty.

The specific patents that cover Crestron products are listed online at www.crestron.com/legal/patents.

Certain Crestron products contain open source software. For specific information, please visit www.crestron.com/opensource.

Crestron, the Crestron logo, DM, and DM NVX are either trademarks or registered trademarks of Crestron Electronics, Inc. in the United States and/or other countries. Other trademarks, registered trademarks, and trade names may be used in this document to refer to either the entities claiming the marks and names or their products. Crestron disclaims any proprietary interest in the marks and names of others. Crestron is not responsible for errors in typography or photography.

©2026 Crestron Electronics, Inc.

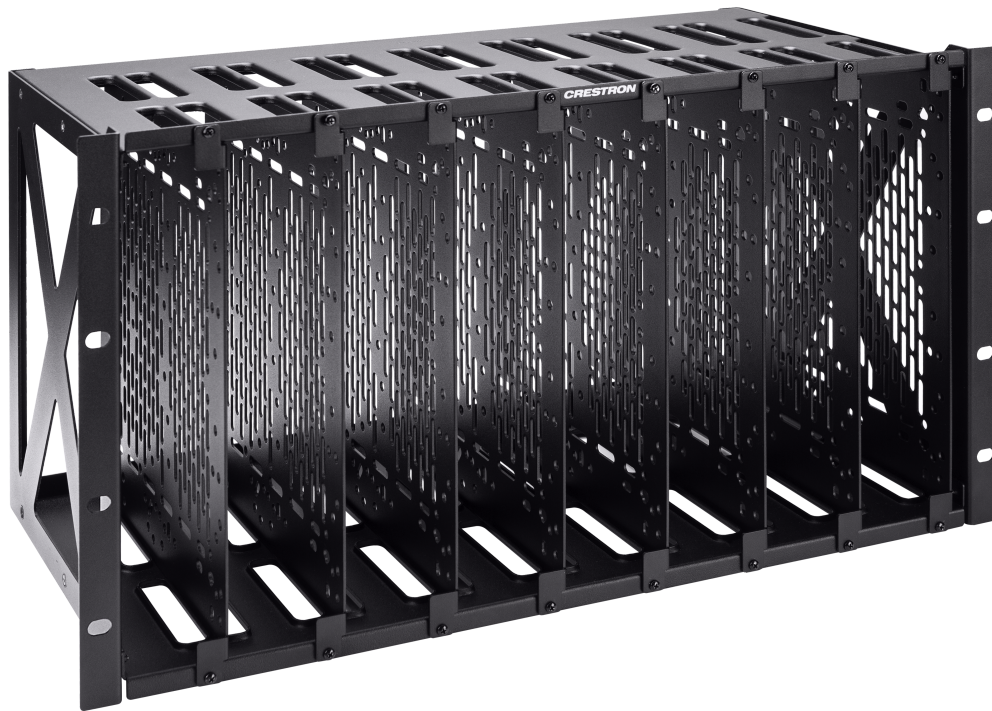
Contents

- RMK-6U-8V Features** 1
- RMK-6U-8V Specifications** 2
 - Product Specifications 2
 - Dimension Drawings 3
- RMK-6U-8V Installation** 4
 - In the Box 4
 - Assemble the Shelf 5
 - Mount the Endpoints 6
 - Endpoint with Integrated Mounting Flanges 6
 - Standard-Width Endpoint with Separate Mounting Flanges 7
 - Half-Width Endpoint with Separate Mounting Flanges 8
 - Secure the Mounting Plates 10
 - Mount the Assembled Kit 10
- Resources** 11
 - Crestron Support and Training 11
 - Programmer and Developer Resources 11
 - Product Certificates 11

RMK-6U-8V Features

Key features include:

- Provides a secure rack mount solution for Crestron® room boxes
- Compatible with DM NVX® AV-over-IP and DM® Essentials endpoints
- Eight vertical mounting plates accommodate any supported model
- Ensures adequate ventilation of installed endpoints
- Rugged metal construction with black finish
- Occupies six units of 19 in. EIA rack space



The [RMK-6U-8V](#) provides a 6-space, 19 in. rack-mounting solution for DM Essentials or DM NVX room boxes. The removable mounting plates feature a variety of mounting holes designed to accommodate a broad range of compatible endpoints, and their vertical orientation ensures proper ventilation. The screws, nuts, and washers for mounting compatible endpoints are included.

RMK-6U-8V Specifications

Product specifications for the RMK-6U-8V are provided below.

Product Specifications

Construction

Chassis	Metal, black finish
Mounting	6U 19 in. rack-mountable; (8) removable vertical plates for mounting DM NVX or DM Essentials room box endpoints (mounting hardware included); Each mounting plate supports a single standard-width endpoint or two half-width endpoints ¹

Dimensions

Height	10.47 in. (266 mm)
Width	17.60 in. (447 mm) rear width; 19.00 in. (483 mm) front width including rack ears
Depth	8.85 in. (225 mm)

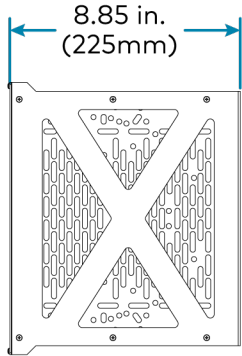
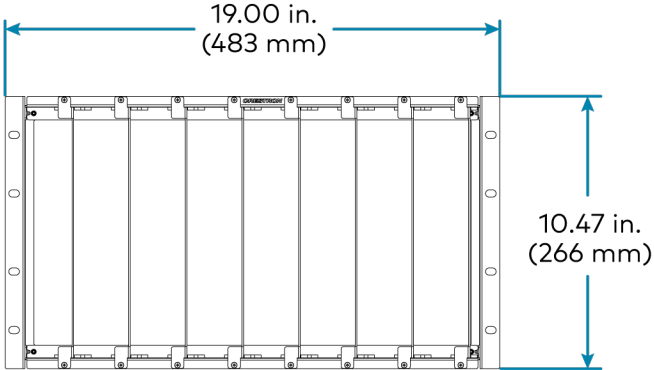
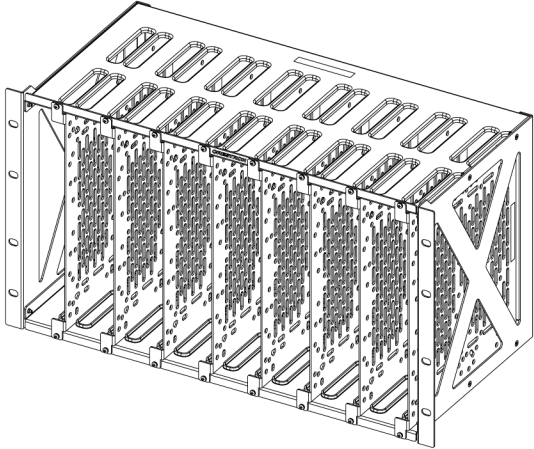
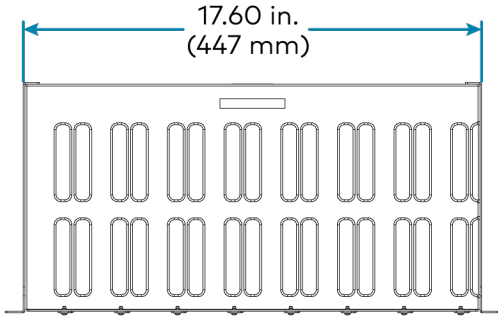
Weight

13.9 lb (6.3 kg)

Note:

1. Supported half-width endpoints that will fit two to a mounting plate are the HD-RXC-4KZ-101, HD-RXCA-4K-101, HD-TXC-4KZ-101, and HD-TXCA-4KZ-101.

Dimension Drawings



RMK-6U-8V Installation

Use the following procedures to install the RMK-6U-8V.

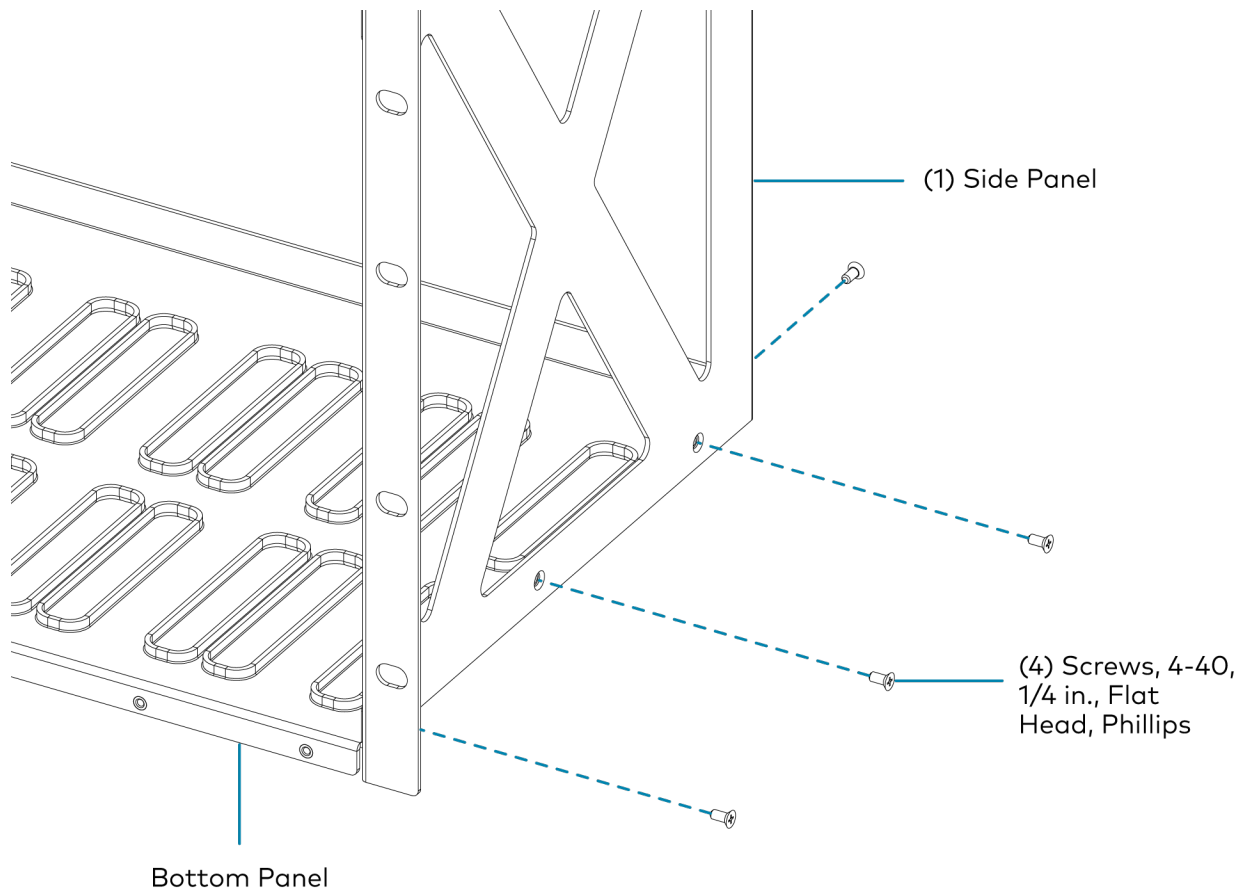
In the Box

Qty.	Description
1	RMK-6U-8V, Rack Mount Kit
Additional Items	
1	Top Panel (4539090)
1	Bottom Panel (2064584)
2	Side Panel (2064597)
8	Vertical Mounting Plate (2064596)
16	Screw, 4-40, 1/4 in., Steel, Flat Head, Phillips, Black (2007152)
16	Screw, 4-40, 1/4 in., Steel, Pan Head, Phillips, Black (2007158)
32	Screw, 8-32, 5/16 in., Steel, Combo Head (2017526)
32	Nut, 8-32, Hexagonal, Steel (2004886)
32	Washer, Flat, Steel, #8 (2007669)

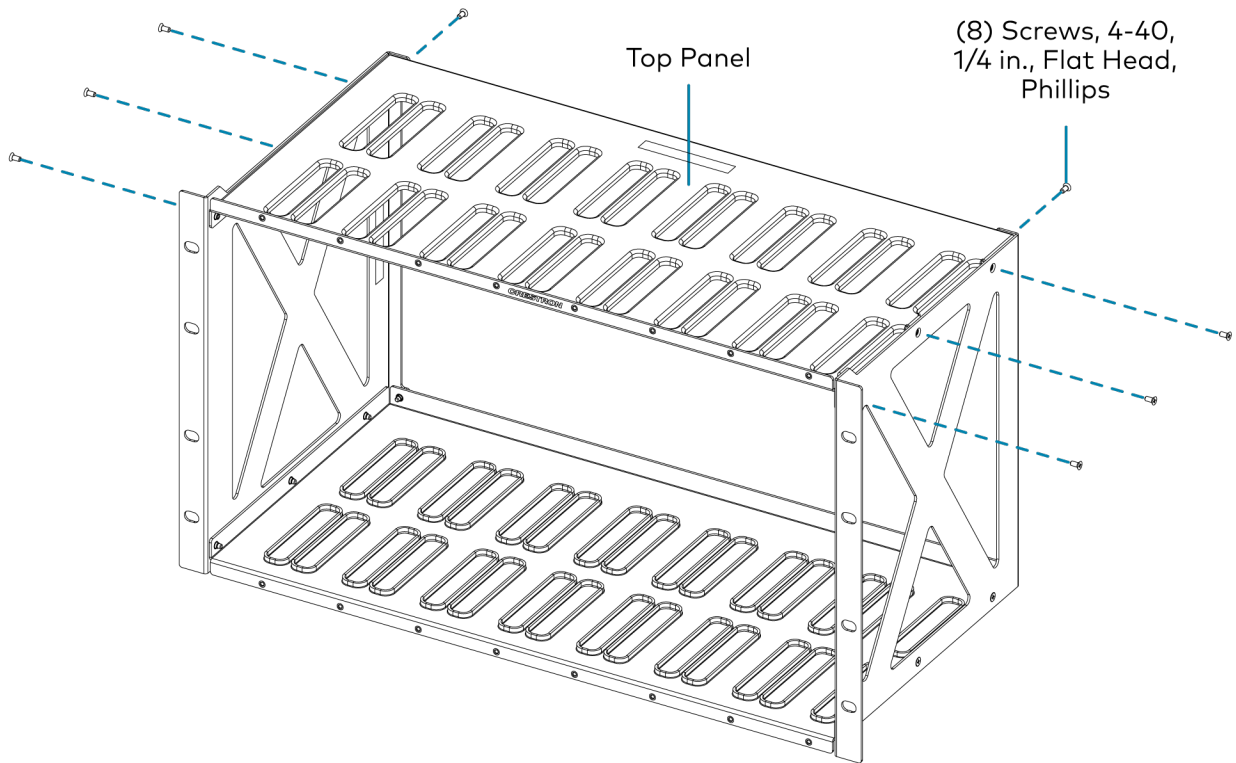
Assemble the Shelf

The shelf of the rack mounting kit consists of four metal panels that must be joined together before mounting. To assemble the shelf:

1. Attach each side panel to the bottom panel using four of the included 4-40 1/4 in. flat head Phillips screws and a screwdriver (not included). The bottom panel does not feature a product label or the Crestron logo.



2. Attach the top panel to the side panels using the eight remaining 4-40 1/4 in. flat head Phillips screws.



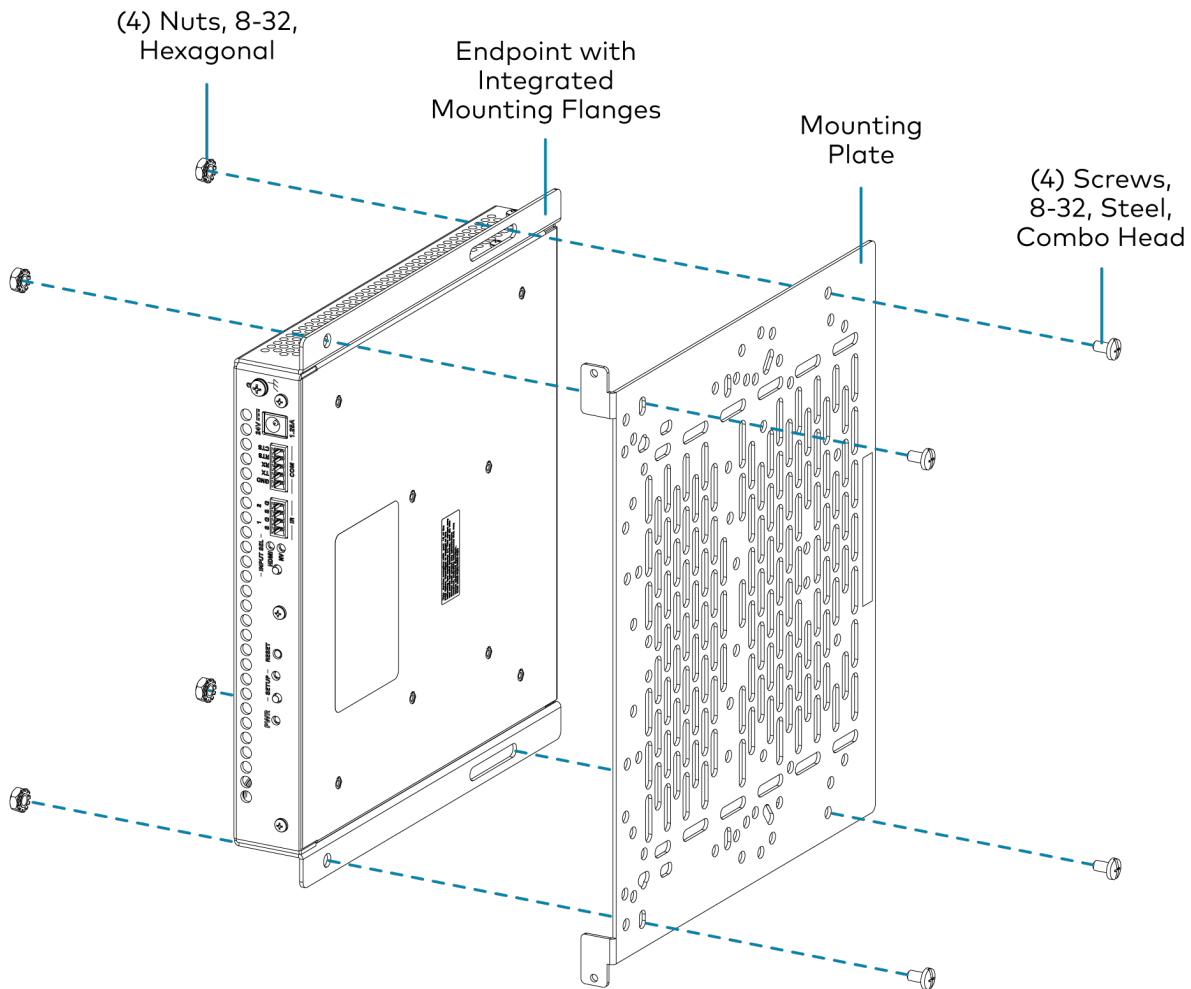
Mount the Endpoints

Each mounting plate can hold one standard-width or two half-width endpoints¹. The mounting procedure for an endpoint depends on whether or not it features integrated mounting flanges.

Endpoint with Integrated Mounting Flanges

Secure an endpoint with integrated mounting flanges to the mounting plate using four of the included 8-32, 5/16 in. combo head screws and four of the included hexagonal nuts.

Mount the Endpoint (DM-NVX-363 Shown)



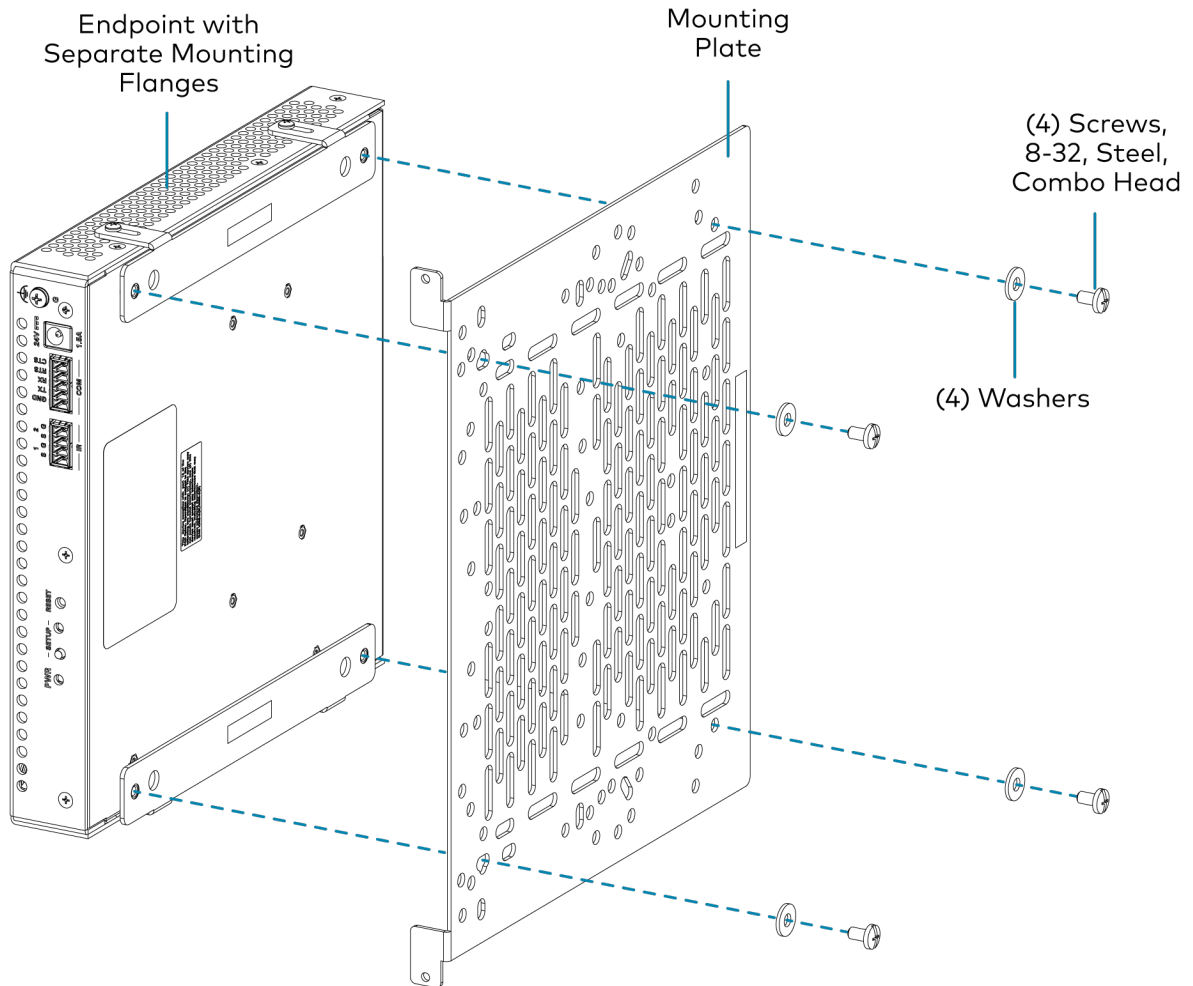
Standard-Width Endpoint with Separate Mounting Flanges

To secure a standard-width endpoint that ships with separate mounting flanges:

1. Attach the mounting flanges to the endpoint. Face the flanges inward and use the screws included with the endpoint.

2. Secure the endpoint to the mounting plate using four of the included 8-32, 5/16 in. combo head screws and four of the included washers.

Mount the Endpoint (DM-NVX-384 Shown)



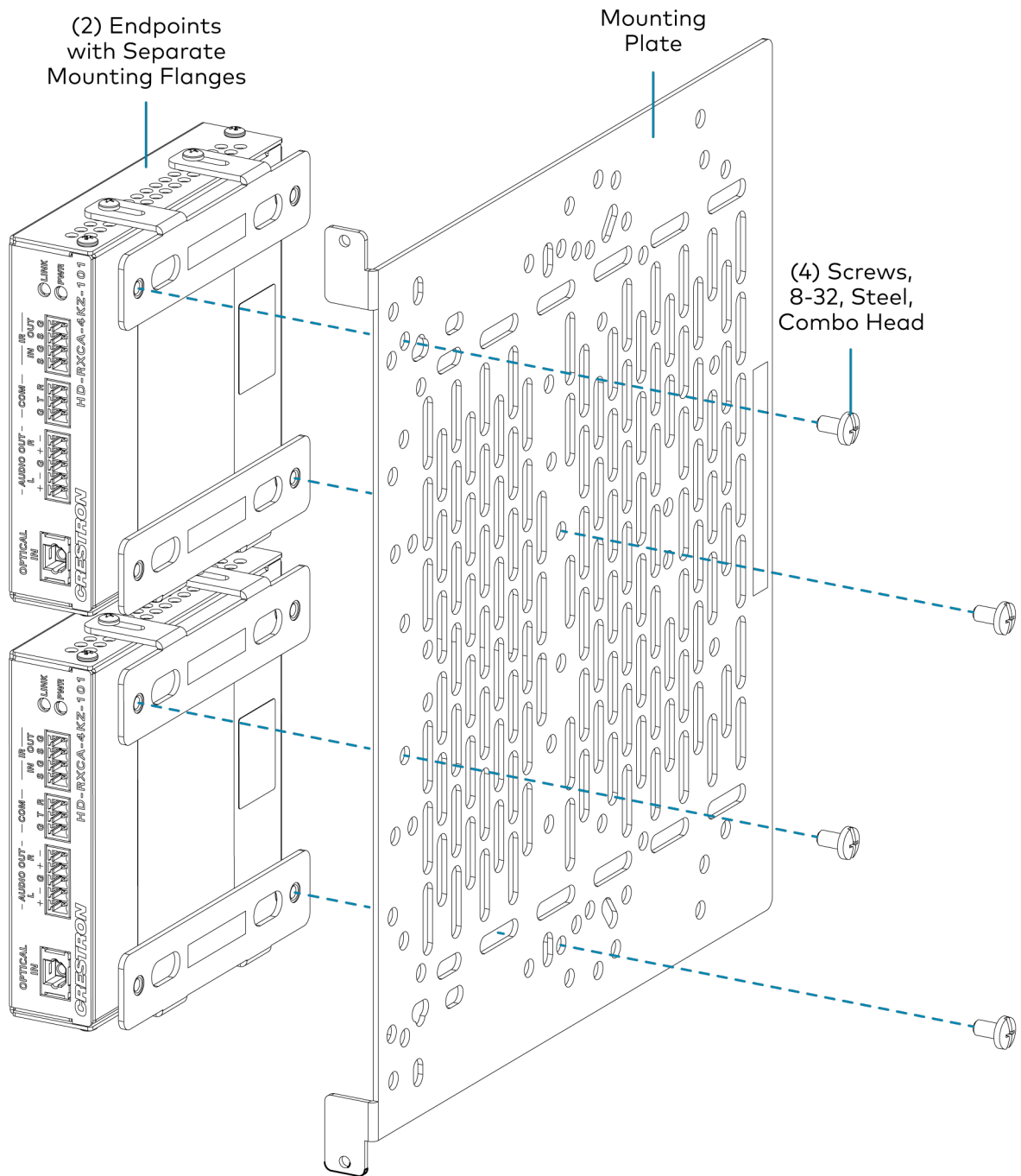
Half-Width Endpoint with Separate Mounting Flanges

To secure half-width endpoints that ship with separate mounting flanges¹:

1. Attach the mounting flanges to each endpoint. Face the flanges inward and use the screws included with the endpoint.

- Secure each endpoint to the mounting plate using at least two of the included 8-32, 5/16 in. combo head screws.

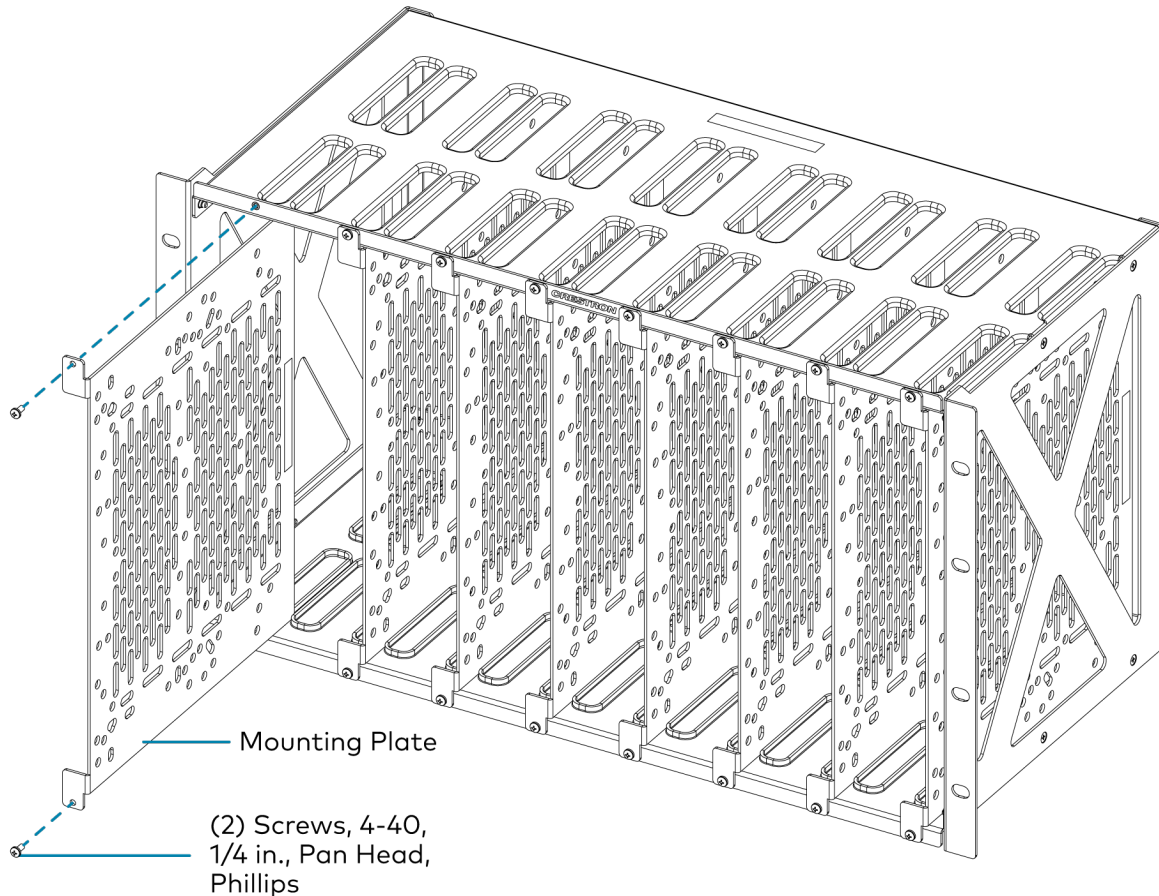
Mount the Endpoints (HD-RXCA-4KZ-101 Shown)



Secure the Mounting Plates

Once the endpoint is mounted to the plate, secure the plate to the shelf:

1. Make all necessary connections to the endpoint.
2. Slide the plate in between the pairs of guides on the top and bottom plates.
3. Attach the plate to the shelf using two of the included 4-40 1/4 in. pan head Phillips screws.



Mount the Assembled Kit

Mount the fully assembled kit and endpoints into a rack using at least four rack mounting screws (not included).

Note:

1. Supported half-width endpoints that will fit two to a mounting plate are the HD-RXC-4KZ-101, HD-RXCA-4K-101, HD-TXC-4KZ-101, and HD-TXCA-4KZ-101.

Resources

The following resources are provided for the RMK-6U-8V.

NOTE: You may need to provide your Crestron.com web account credentials when prompted to access some of the following resources.

Crestron Support and Training

- [Crestron True Blue Support](#)
- [Crestron Resource Library](#)
- [Crestron Online Help \(OLH\)](#)
- [Crestron Technical Institute \(CTI\) Portal](#)

Programmer and Developer Resources

- help.crestron.com: Provides help files for Crestron programming tools such as SIMPL, SIMPL#, and Crestron Toolbox™ software
- developer.crestron.com: Provides developer documentation for Crestron APIs, SDKs, and other development tools

Product Certificates

To search for product certificates, refer to the [Product Certificates](#) section of the Crestron Resource Library.

