

Crestron Flex Upgrade Solution for Crestron Mercury® Conference Systems

The Upgrade Solution for Crestron Mercury® Conference Systems ([UC-M150-UPGRD](#)) upgrades a Crestron Mercury conference system to a Crestron Flex UC-M150-T system. The UC-M150-T delivers a powerful solution for knowledge workers who want the Microsoft Teams® software experience in small to midsize meeting and conference rooms.

The UC-M150-UPGRD comes with a UC-BRKT-100-ASSY Wall Bracket Assembly which contains an HD-CONV-USB-200 HDMI® to USB 3.0 Converter, UC-ENGINE, and required mounting hardware. The solution also comes with a CCS-CAM-USB-F-400 Huddly IQ™ Collaboration Camera, a UC-CAM-WMK wall mount kit, and all of the cables required to complete the installation.

Minimum Requirements

- A video display, connected to the UC-ENGINE. The system supports a second display if desired.
- A Microsoft Teams or Skype® for Business software account
- An environment running Microsoft Exchange Server® software (2013 SP1 or later for on-premises installation or Microsoft 365® software for Cloud) for scheduling and/or Skype for Business 2015 (on-premises installation or Microsoft 365 software for Cloud)

View the [Crestron Flex Pre-Deployment Checklist](#) to help plan your Crestron Flex installation.

Optional

- [CCS-UCA-SMK](#) Swivel Mount Kit
- [CCS-UCA-MIC KIT](#) Microphone Pods



In the Box

UC-BRKT-100-ASSY, UC Engine Bracket Assembly

- 1 UC-BRKT-100-ASSY (6510636)
- 1 Power cord
- 1 Mounting Hardware

Accessory Box

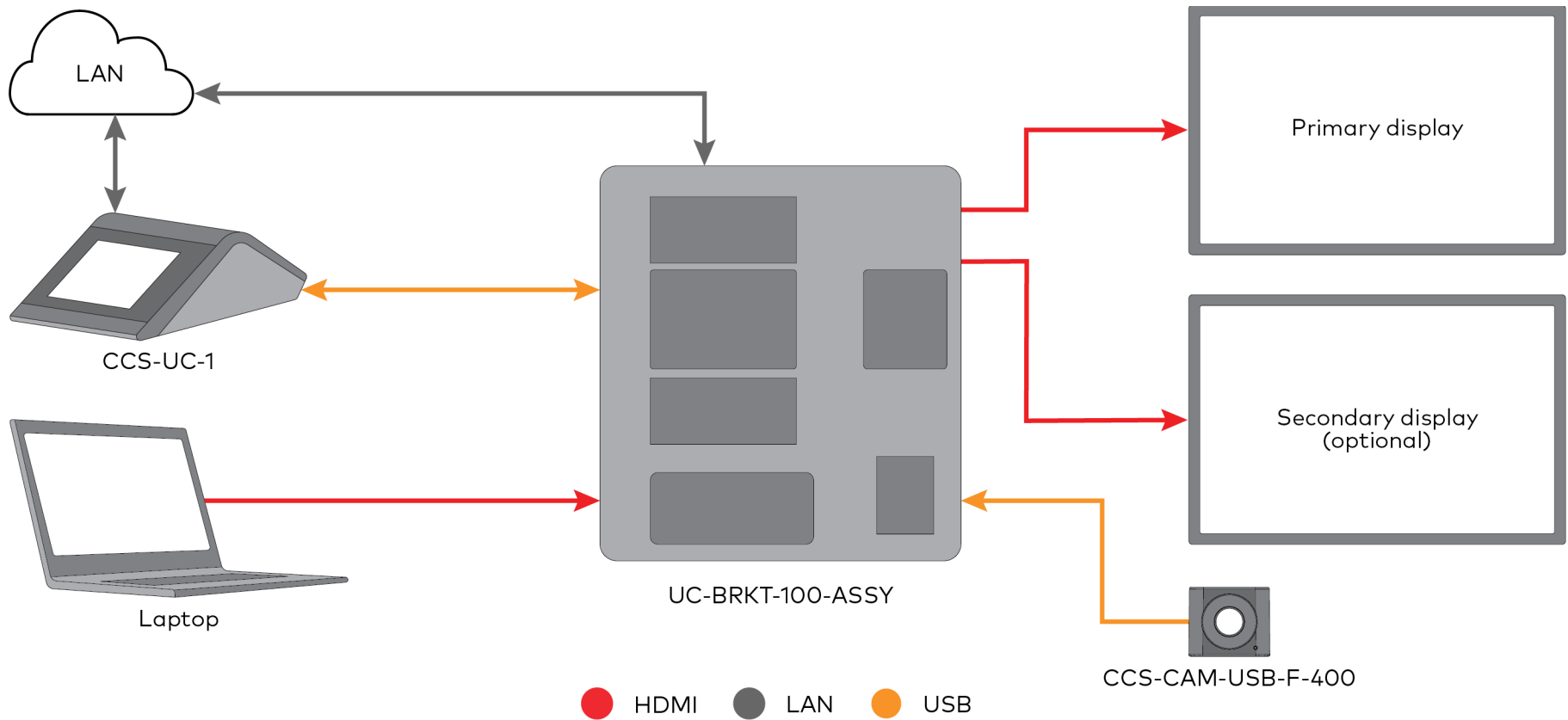
- 1 CCS-CAM-USB-F-400, Huddly IQ Collaboration Camera (6510482)
- 1 CBL-CAT5E-7, CAT5e cable RJ-45-to-RJ-45, Black, 7 ft (2.1 m) (6509924)
- 1 CBL-HD-THIN-HS-6, Thin HDMI cable, 6 ft (1.8 m) (6510946)
- 1 CBL-HD-20, HDMI cable 20 ft (6.1 m) (6503567)
- 1 CBL-USBC-HD-9, USB 3.0 to HDMI Converter cable, 9 ft (2.7 m) (6510718)
- 1 CBL-USB-A-EXT-15 USB Extension Cable, Type A Male-to-Female, 15 ft (4.6 m) (6508260)
- 1 UC-CAM-WMK, Wall Mount Kit for Crestron Cameras (6510998)

Crestron Flex Upgrade Solution for Crestron Mercury® Conference Systems



Overview

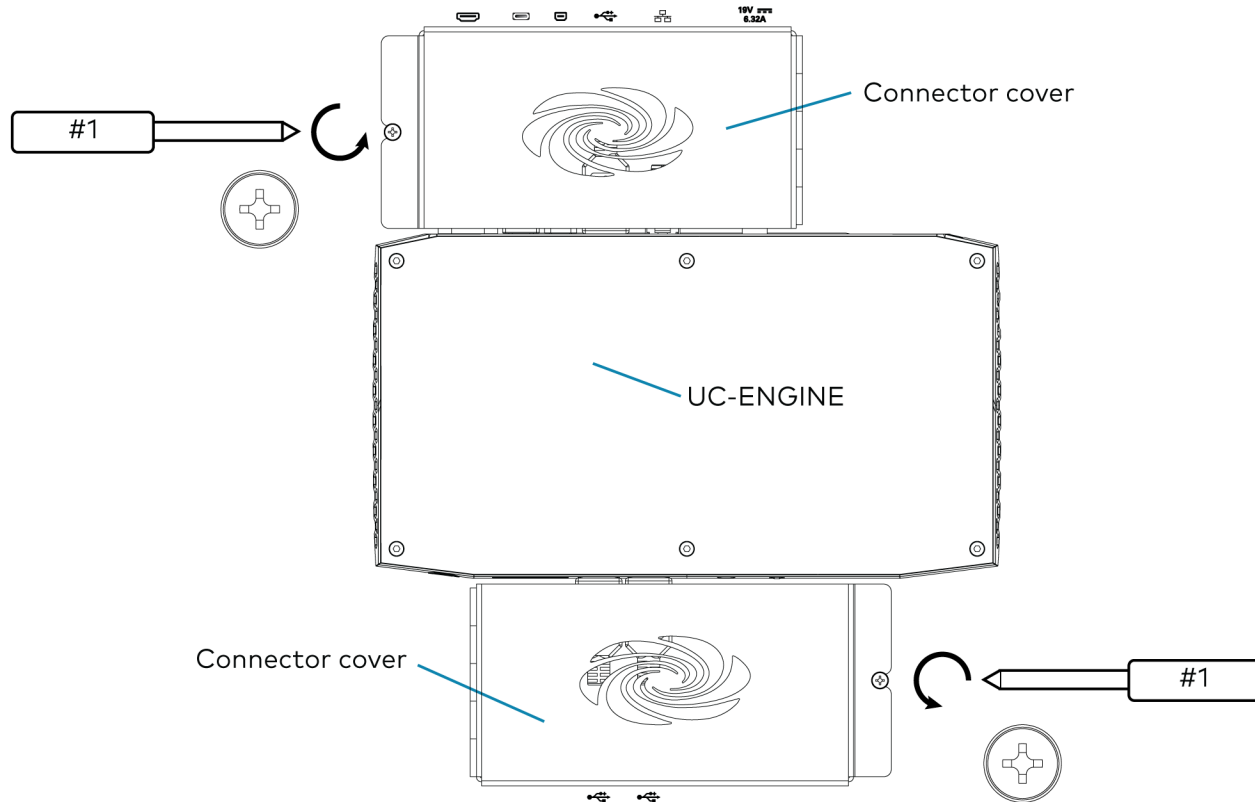
The following diagram illustrates system connections.



Crestron Flex Upgrade Solution for Crestron Mercury® Conference Systems

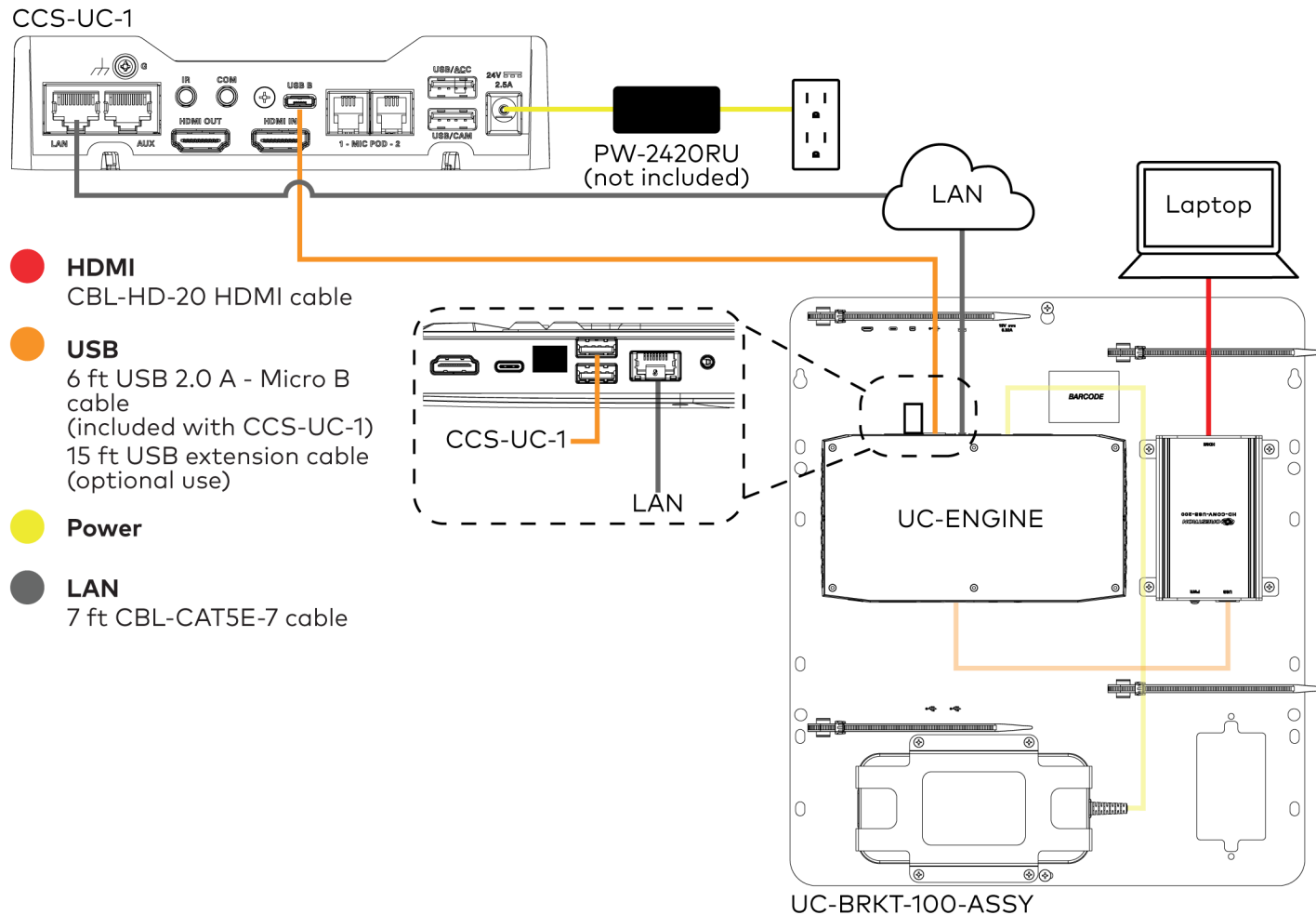
Connect

1. Remove the connector covers prior to making UC-ENGINE connections on the UC-BRKT-100-ASSY bracket assembly.



Crestron Flex Upgrade Solution for Crestron Mercury® Conference Systems

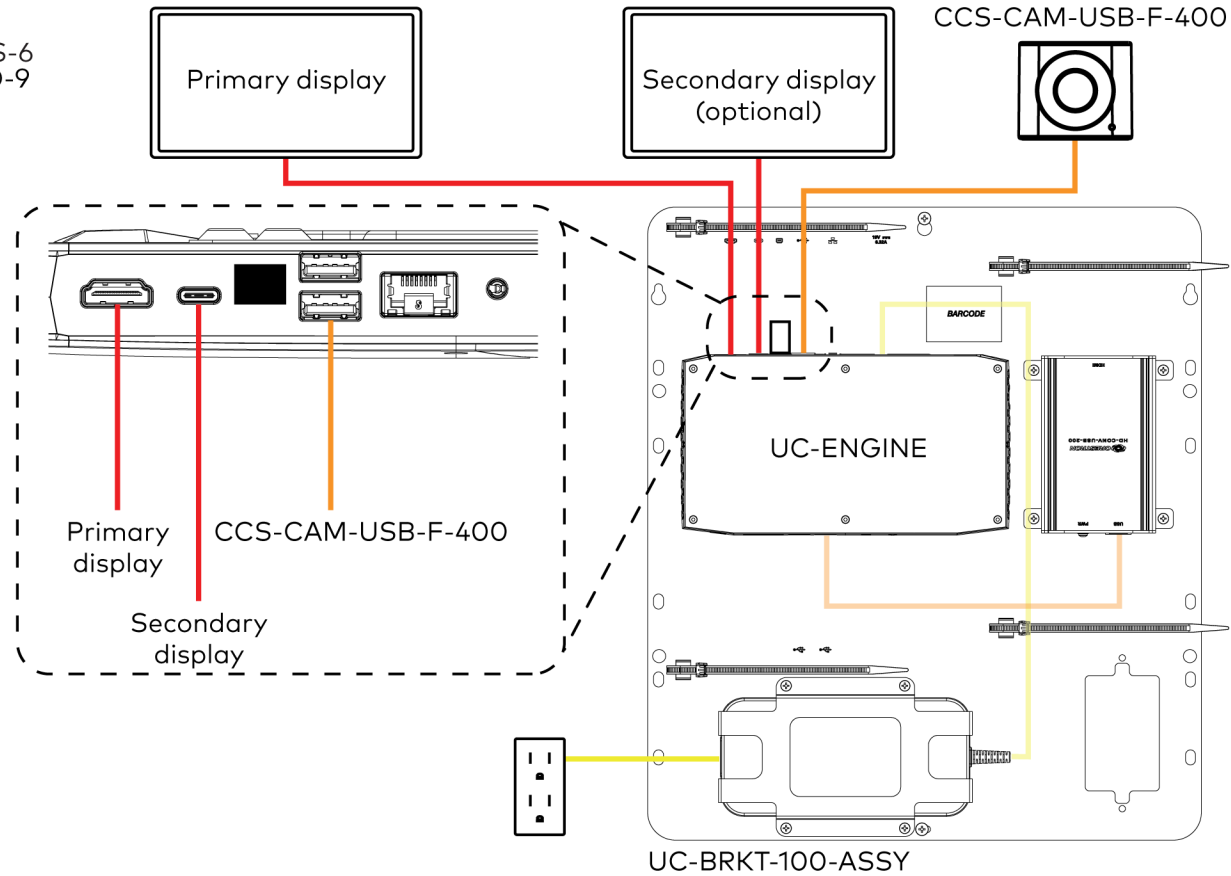
2. Make connections to the Crestron Mercury console and UC-BRKT-100-ASSY bracket assembly as shown in the following illustration.



Crestron Flex Upgrade Solution for Crestron Mercury® Conference Systems

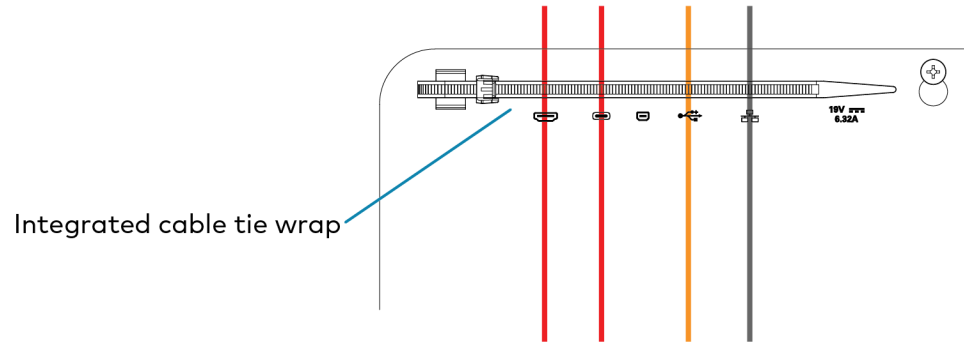
3. Connect the display devices and camera to the UC-ENGINE as shown below.

- **HDMI**
Primary: CBL-HD-THIN-HS-6
Secondary: CBL-USBC-HD-9
- **USB**
- **Power**



Crestron Flex Upgrade Solution for Crestron Mercury® Conference Systems

4. Bundle the cables with the integrated cable tie wraps. The cable tie wraps are reusable.



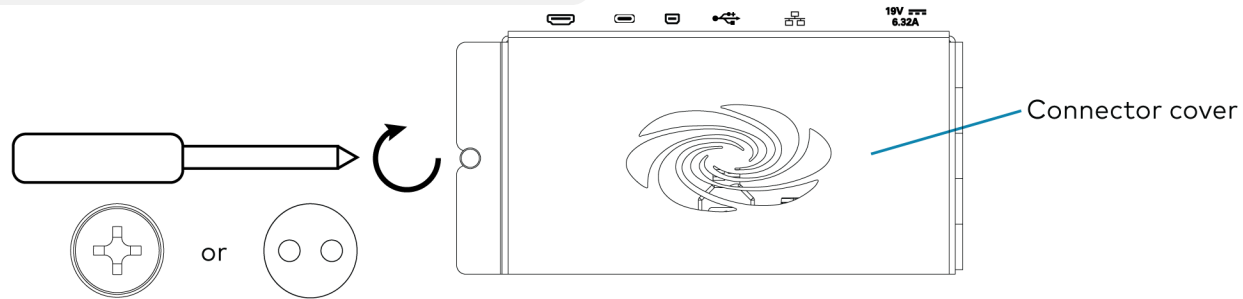
Crestron Flex Upgrade Solution for Crestron Mercury® Conference Systems



Complete the Installation

After completing UC-ENGINE connections, secure the connector covers using a #1 Phillips head screwdriver to replace the screws.

NOTE: For additional security, replace the screws with the spanner screws included with the bracket assembly. A 1/4 in. bit is also supplied with the bracket assembly to install the spanner screws.



Crestron Flex Upgrade Solution for Crestron Mercury® Conference Systems



Configure

Apply Power

Press the power button on the bottom of the UC-ENGINE and apply power to all of the other devices in the system. The Crestron Mercury console will display its IP address.

Update Crestron Mercury Firmware

Update the firmware on the Crestron Mercury device with CCS-UC-1-T-V firmware, which is available from www.crestron.com/firmware. Refer to the CCS-UC-1 Product Manual (Doc. 7844) at www.crestron.com/manuals for details.

Configure the Crestron Mercury Console

1. On a computer, open a web browser to the IP address of the Crestron Mercury console (displayed when power was applied).

NOTES:

- The Crestron Mercury console and computer must be on the same network switch and VLAN.
- A login with administrative rights for the Crestron Mercury console is required.

2. Log in to the Crestron Mercury console and navigate to **DEVICE > Applications**.

3. Enter the following information in the appropriate fields:

- **Teams Video PC Address:** Enter the IP address or hostname of the UC-ENGINE.

NOTE: The hostname is printed on a label affixed to the UC-ENGINE (mounted on the UC-BRKT-100-ASSY bracket assembly).

- **Teams Video PC Port:** By default, port number 49500 is used. If a different port number has been configured on the UC-ENGINE, enter that port number instead.
- **Teams Video Username:** Enter the login username for the UC-ENGINE. (The default username is "admin".)
- **Teams Video Password:** Enter the login password for the UC-ENGINE. (The default password is "sfb".)

4. Click **Save Changes**.

For more information, refer to the CCS-UC-1 Product Manual (Doc. 7844) at www.crestron.com/manuals.

Configure the System

Use the Crestron Mercury console and your Microsoft Teams or Skype account credentials to configure the UC-ENGINE. Refer to the Crestron Flex UC Video Conference Systems Guide (Doc. 8360) at www.crestron.com/manuals.

Crestron Flex Upgrade Solution for Crestron Mercury® Conference Systems



Visit the Product Page

Scan the QR code to visit the product page.

UC-M150-UPGRD



www.crestron.com/model/6511076

Additional Information

Original Instructions

The U.S. English version of this document is the original instructions. All other languages are a translation of the original instructions.

Crestron product development software is licensed to Crestron dealers and Crestron Service Providers (CSPs) under a limited nonexclusive, nontransferable Software Development Tools License Agreement. Crestron product operating system software is licensed to Crestron dealers, CSPs, and end-users under a separate End-User License Agreement. Both of these Agreements can be found on the Crestron website at www.crestron.com/legal/software_license_agreement.

The product warranty can be found at www.crestron.com/warranty.

The specific patents that cover Crestron products are listed at www.crestron.com/legal/patents.

Certain Crestron products contain open source software. For specific information, visit www.crestron.com/opensource.

Crestron, the Crestron logo, and Crestron Mercury, are either trademarks or registered trademarks of Crestron Electronics, Inc. in the United States and/or other countries. HDMI and the HDMI logo are either trademarks or registered trademarks of HDMI Licensing LLC in the United States and/or other countries. Huddly IQ is either a trademark or registered trademark of Huddly AS in the United States and/or other countries. Microsoft 365, Microsoft Exchange Server, Microsoft Teams, and Skype are either trademarks or registered trademarks of Microsoft Corporation in the United States and/or other countries. Other trademarks, registered trademarks, and trade names may be used in this document to refer to either the entities claiming the marks and names or their products. Crestron disclaims any proprietary interest in the marks and names of others. Crestron is not responsible for errors in typography or photography.

HDMI

©2020 Crestron Electronics, Inc.

Doc ID 8477B

03/03/20