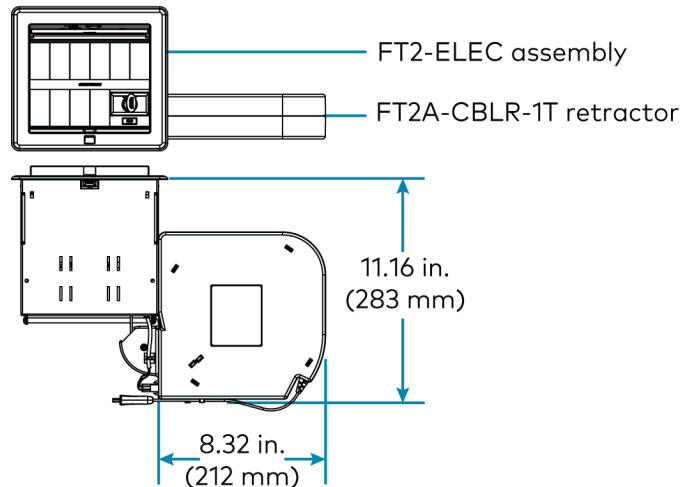


## FlipTop™ One-Touch Cable Retractors

The Crestron® [FT2A-CBLR-1T series](#) FlipTop™ One-Touch Cable Retractors provide an assortment of retractable cables for use with the FT2-ELEC assembly cable management systems (not included). Each model features a retractable cable that may be pulled out up to 5 ft (1.52 m). When the cable retractor button on the included module is pressed, the cable retracts gently back into its retractor enclosure.

The FT2A-CBLR-1T series retractor attaches to the side of the assembly underneath the table. Each FT2A-CBLR-1T series pass-through module is 1.97 x 1.97 in. (50 x 50 mm) and occupies two module spaces in the FT2-ELEC assembly.

### FT2-ELEC Assembly and FT2A-CBLR-1T Series Retractor



### In the Box

- 1 FT2A-CBLR-1T Series, FlipTop™ One-Touch Cable Retractors

#### Additional Items

- FT2A-CBLR-1T-4K-DP and FT2A-CBLR-1T-4K-DP-HD Only**
- 1 DisplayPort™ pass-through module (4526967)
- FT2A-CBLR-1T-4K-MDP-DP and FT2A-CBLR-1T-4K-MDP-HD Only**
- 1 Mini DisplayPort pass-through module (4526968)
- FT2A-CBLR-1T-4K-USBC-HD Only**
- 1 USB Type-C® pass-through module (4526983)
- FT2A-CBLR-1T-AUDIO Only**
- 1 Stereo audio pass-through module (4526980)
- FT2A-CBLR-1T-CAT6 Only**
- 1 LAN pass-through module (4526981)
- FT2A-CBLR-1T-HD Only**
- 1 HDMI® pass-through module (4526361)
- FT2A-CBLR-1T-USB Only**
- 1 USB 2.0A adapter (2053204)
- 1 USB pass-through module (4526982)
- FT2A-CBLR-1T-USBC-PWR Only**
- 1 Reclosable fastener strips (2 pieces together) (2005411)
- 1 USB Type-C pass-through module (4526983)
- FT2A-CBLR-1T-VGA Only**
- 1 VGA pass-through module (4526969)

## FlipTop™ One-Touch Cable Retractors



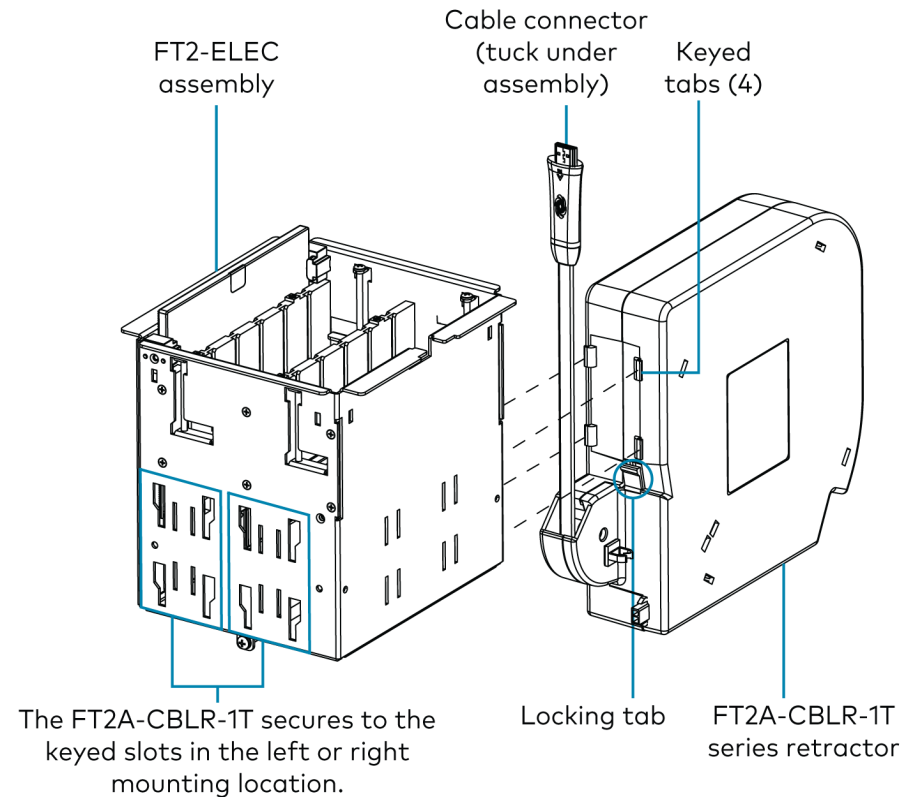
### Install the Retractor

Install the FT2A-CBLR-1T series retractors into an FT2-ELEC assembly previously mounted into a table. Complete the FT2A-CBLR-1T series installation before installing the FT2A-CBLR-1T series pass-through module.

#### NOTES:

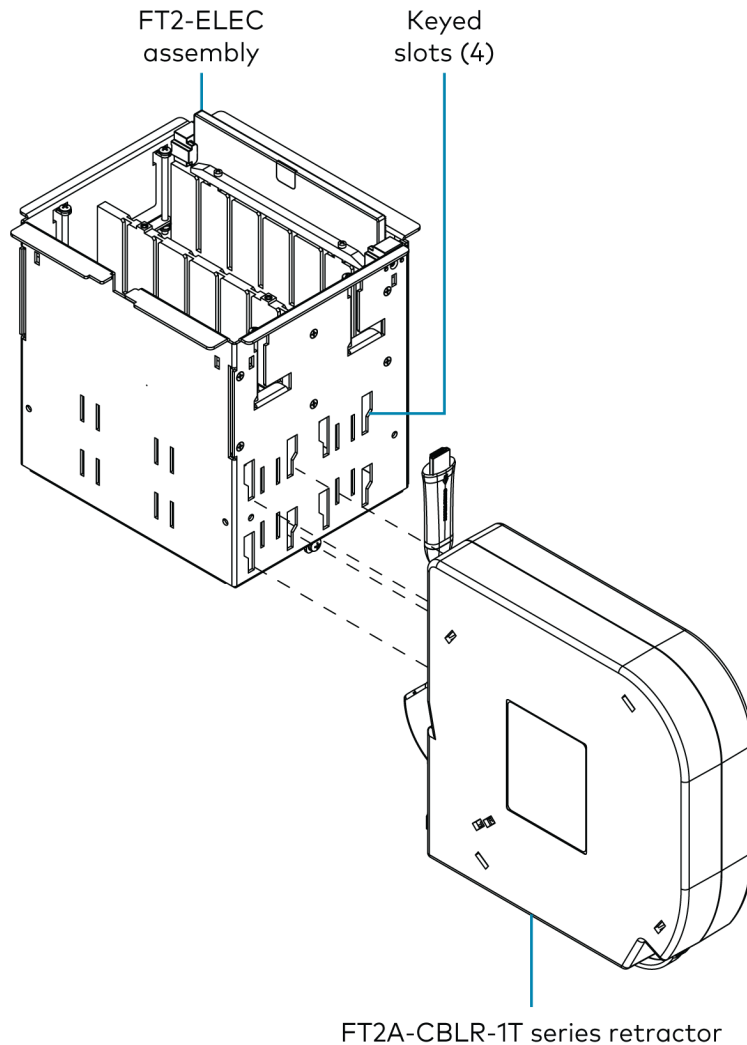
- The FT2A-CBLR-1T series retractors are installed at the end of the module rows on either side of the FT2-ELEC assembly enclosure. If a [FT2A-CBLR-BRKT](#) (not included) is used, the bracket and retractor are installed to the front and/or rear of the FT2-ELEC assembly.
- The FT2A-CBLR-1T series retractors extend 11.16 in. (283 mm) vertically and 8.32 in. (212 mm) horizontally underneath the table.
- The amount of retractor mounting locations (four keyed slots) varies for each FT2-ELEC assembly. For example, if installing the retractor into an FT2-700-ELEC device, there are four possible locations (two per side).

1. Pull the cable connector out of the retractor and tuck it underneath the FT2-ELEC assembly.
2. Align the four keyed tabs on the retractor neck with the four keyed slots on the FT2-ELEC assembly. Then, push the retractor up and into the slots so that the keyed tabs engage the wide end of the slots.
3. Slide the retractor downward until the keyed tabs are secured inside the narrow end of the slots.



**NOTE:** Once the FT2A-CBLR-1T series retractor is secured into the FT2-ELEC assembly, a locking tab prevents the retractor from being easily removed. To remove the retractor after it has been installed, press the locking tab while pulling the retractor up and out of the slots in the assembly.

## FlipTop™ One-Touch Cable Retractors



## Install the USB-C® Power Adapter

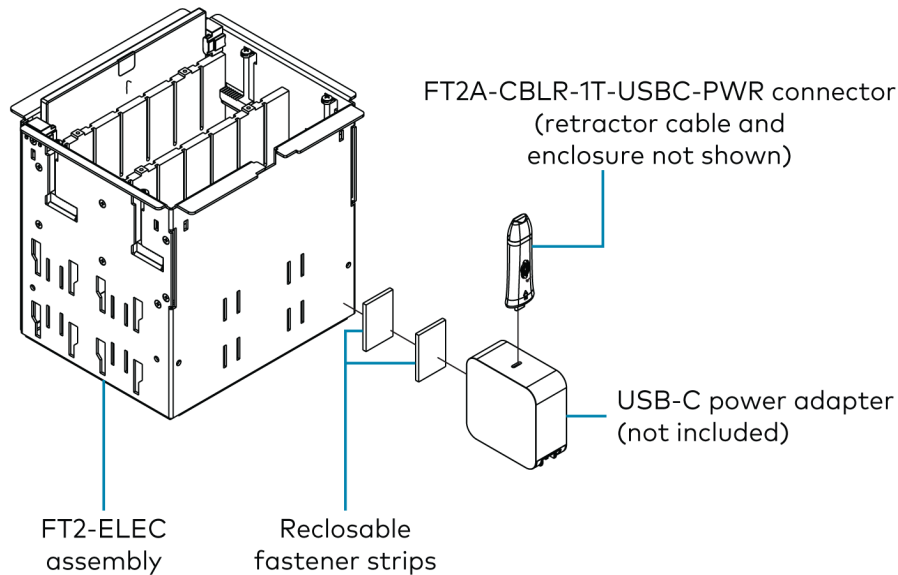
### FT2A-CBLR-1T-USBC-PWR Only

The FT2A-CBLR-1T-USBC-PWR is a USB-C® to USB-C power module that supports up to 60 W of power for charging devices only (does not transfer video or data). The male USB Type-C® connector must connect to a third-party USB-C power supply. To attach a USB-C adapter to the FT2-ELEC assembly, use the included reclosable fastener strips. One fastener strip is placed on the FT2-ELEC assembly and the other strip is placed on the adapter.

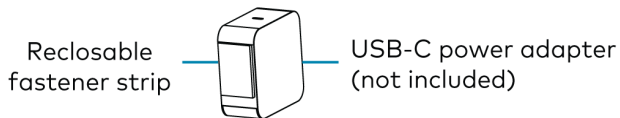
#### NOTES:

- Crestron does not offer a USB power supply. A third-party power supply must be used.
- This procedure is intended for the FT2A-CBLR-1T-USBC-PWR retractor only.
- When preparing to attach the fastener strips to the USB-C adapter and FlipTop assembly, make sure that there will be enough room on the enclosure to also attach an FT2A-UTK-PWS power supply or another FlipTop accessory beside the adapter.

## FlipTop™ One-Touch Cable Retractors

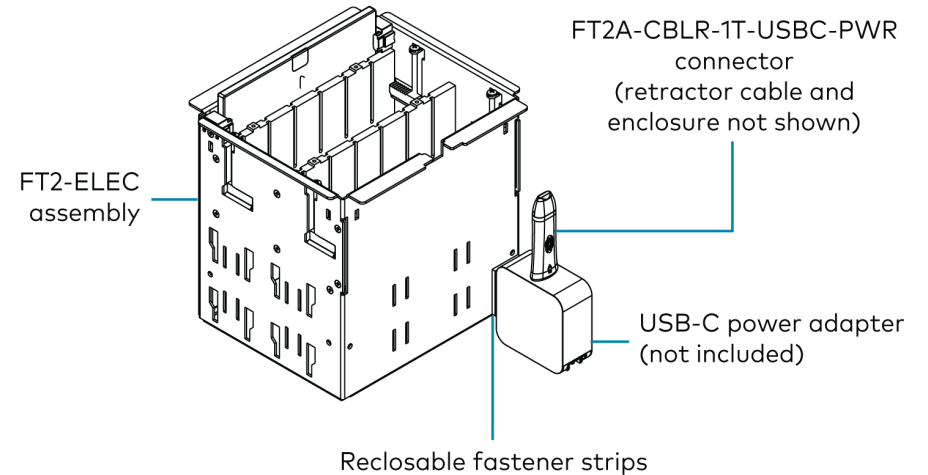


1. Remove the protective backing from one fastener strip.
2. Align the edges of the fastener strip with the bottom and side edges of the FT2-ELEC assembly.
3. Press the fastener strip firmly onto the FT2-ELEC assembly.
4. Remove the protective backing from the remaining fastener strip, and press it firmly onto the power adapter.



5. Align the power adapter's fastener strip with the assembly's fastener strip, and press the adapter firmly onto the FT2-ELEC assembly.

**NOTE:** Ensure the reclosable fastener strips are locked together.



## FlipTop™ One-Touch Cable Retractors

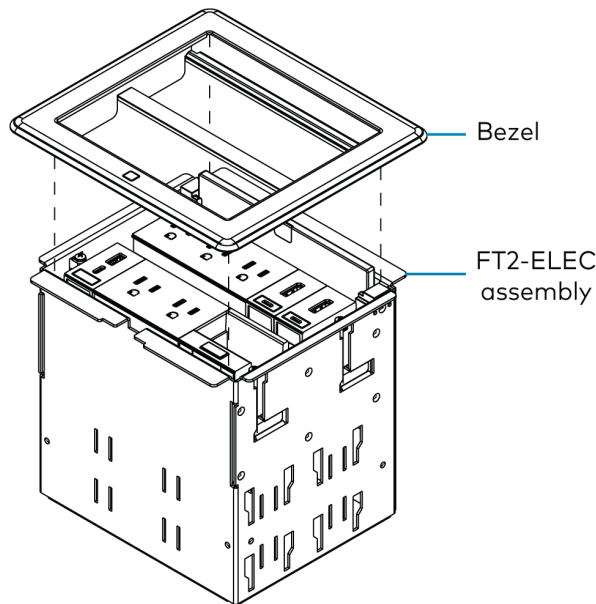


### Install the Module

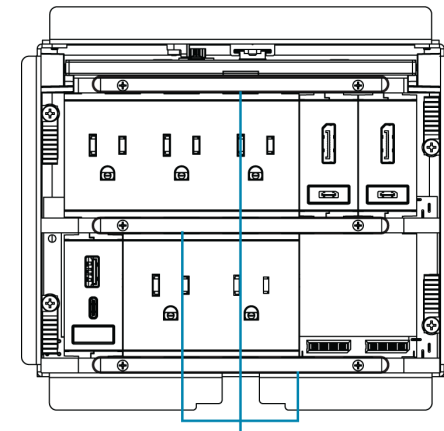
Use the following procedure to install the FT2A-CBLR-1T series pass-through module into an FT2-ELEC assembly. If the FT2A-CBLR-1T series pass-through module is being installed as part of a new FT2-ELEC assembly installation, proceed to [Insert the Cable into the Module](#).

### Prepare the FT2-ELEC assembly

1. Remove the magnetic bezel from the FT2-ELEC assembly by grasping the inside of the bezel and pulling it up and away firmly from the assembly until the magnetic hold is broken.



2. Unscrew and remove the two locking bars on either side of the module row that is required for installation. For example, if installing the FT2A-CBLR-1T series pass-through module in the bottom row of an FT2-700-ELEC device, remove the middle and bottom locking bars.



Locking bars (3)

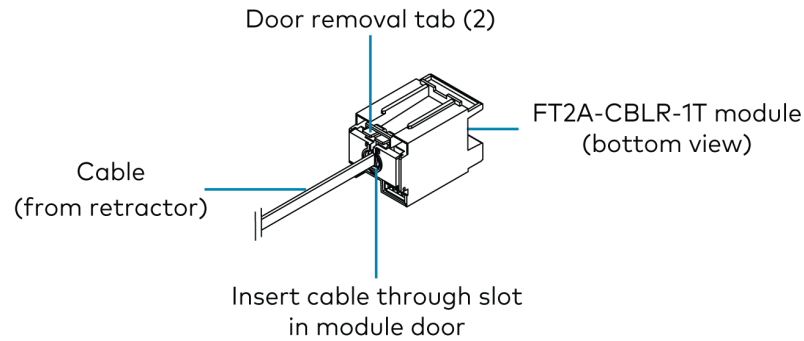
### Insert the Cable into the Module

1. Push down on the two door removal tabs on the bottom of the FT2A-CBLR-1T series pass-through module to open the module door.
2. Route the cable connector through the bottom of the module, and then thread the cable sideways through the slot in the module door so that the connector exits the inside of the door.

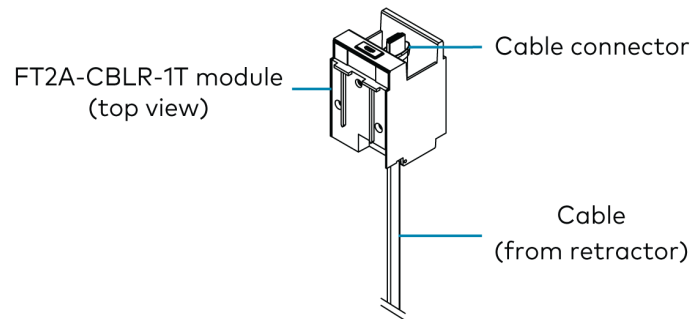
## FlipTop™ One-Touch Cable Retractors

3. Snap the door back into place to secure it to the module.

### FT2A-CBLR-1T Series Pass-Through Module (Bottom View)

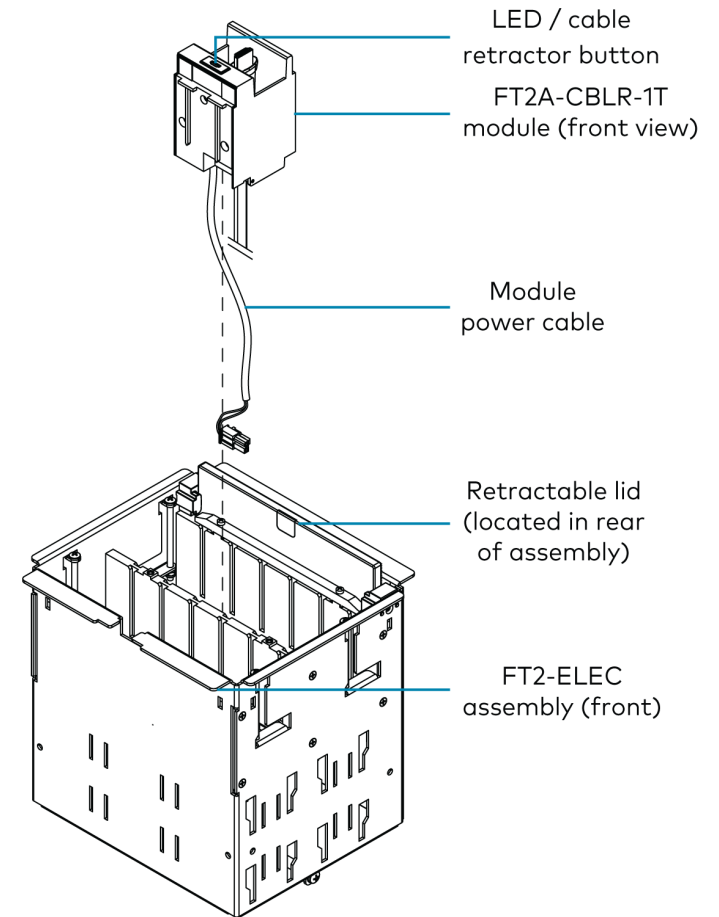


### FT2A-CBLR-1T Series Pass-Through Module (Top View)



## Install the Module into the FT2-ELEC Assembly

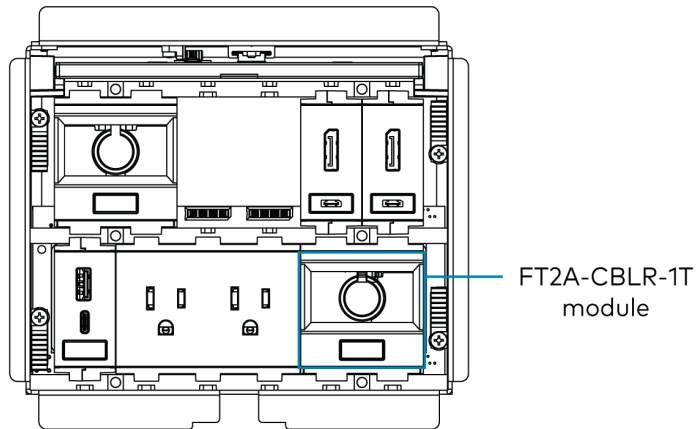
1. Orient the module so that its LED is facing toward the front of the FT2-ELEC assembly as shown in the following illustration.



2. Feed the module's power cable down through the appropriate module slot in the FT2-ELEC assembly.

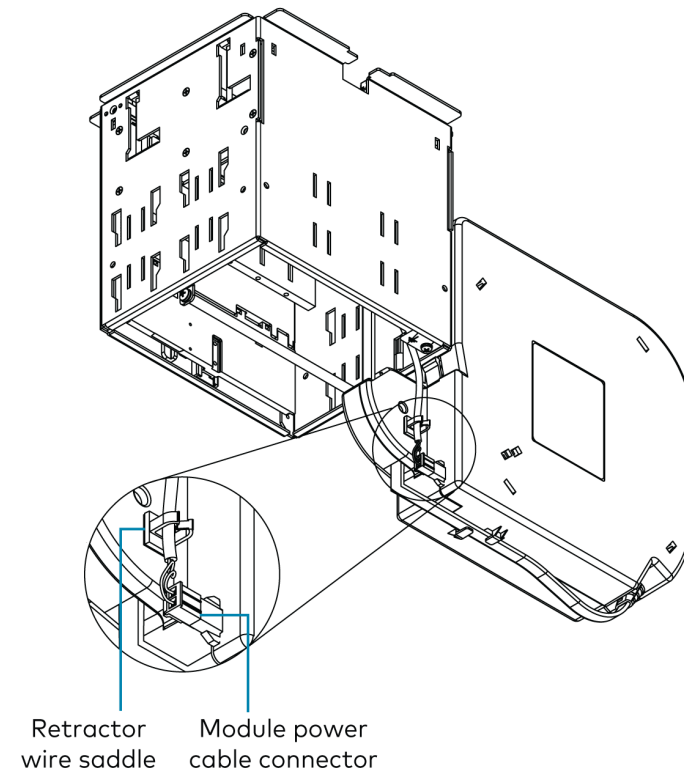
## FlipTop™ One-Touch Cable Retractors

3. Push the module down into the appropriate module slot in the FT2-ELEC assembly so that the module slides into place. Use the guide ribs on the front and rear of the module to help position the module in the assembly.



4. Route the module's power cable through the wire saddle on the retractor, and then connect the cable to the retractor as shown in the following illustration.

**CAUTION:** If the FT2A-CBLR-1T series pass-through module or retractor must be removed from the FT2-ELEC assembly, disconnect the module power cable from the retractor prior to removal.

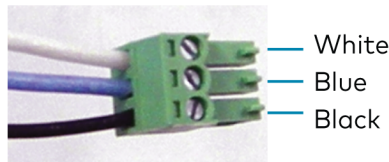


## FlipTop™ One-Touch Cable Retractors

### Enable Automatic Cable Retraction (Optional)

A network connection between the FT2-ELEC assembly and a Crestron control system or DMPS3 enables remote control of the installed FT2A-CBLR-1T series. For example, when a networked FT2-ELEC assembly with a one-touch cable retractor is installed in a room with an occupancy sensor and the sensor detects an unoccupied room, the FT2-ELEC assembly communicates with the system to automatically retract the cable.

On an FT2-ELEC assembly using standard Cresnet® cable, connect the 3-pin connector to a Crestron control system or DMPS3.



**NOTE:** The red power lead should not be connected.

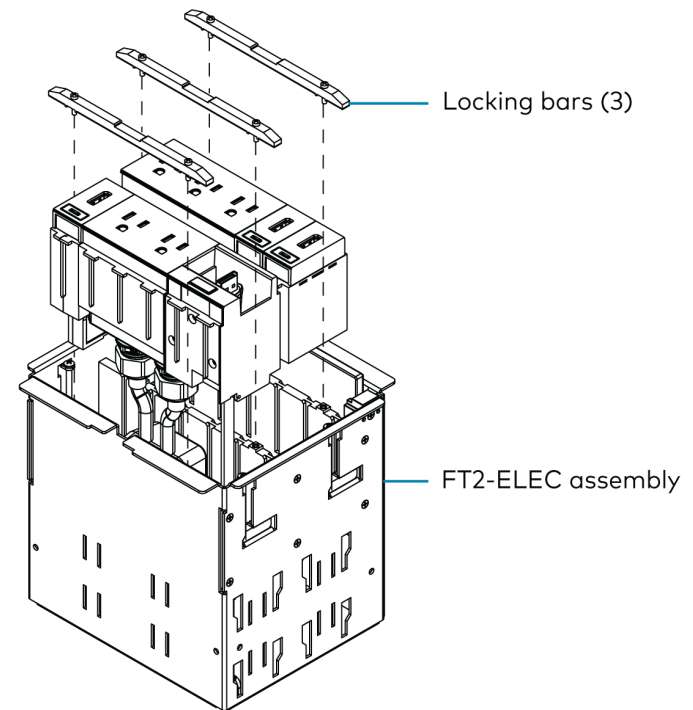
To ensure that the FT2A-CBLR-1T series retractor retracts automatically, FT2A-CBLR-1T series check the following:

- The FT2A-CBLR-1T series pass-through module is properly seated within the FT2-ELEC assembly.
- The FT2A-CBLR-1T series pass-through module's power cable is properly connected to the FT2A-CBLR-1T series retractor.
- The 3-pin connector on the FT2-ELEC assembly is connected properly to the Crestron control system or DMPS3.

### Install the Locking Bars

1. Place the locking bars into position so that the screws attached to the locking bars engage the screw holes in the FT2-ELEC assembly.
2. Using a manual torque screwdriver set to its lowest possible setting, hand tighten the locking bar screws until the locking bars are secured to the FT2-ELEC assembly.

**CAUTION:** Do not overtighten the locking bar screws.

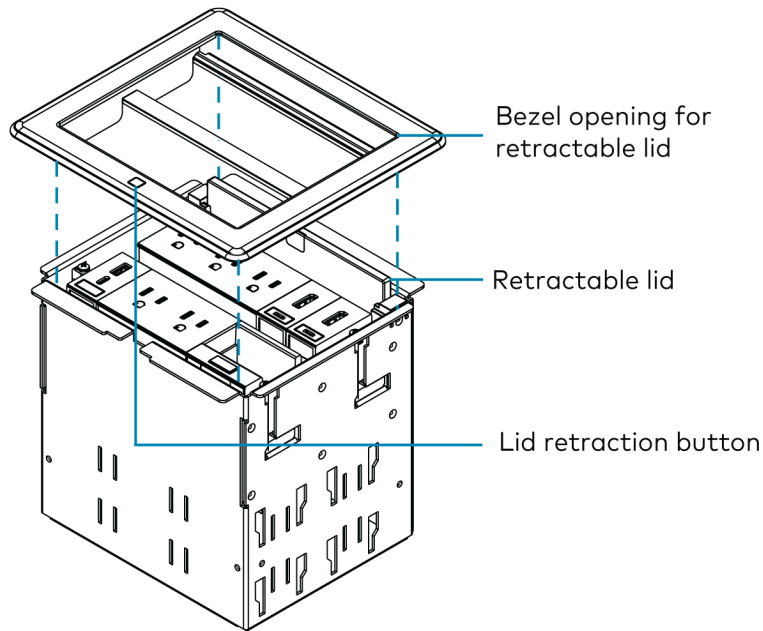




## FlipTop™ One-Touch Cable Retractors

### Install the Bezel

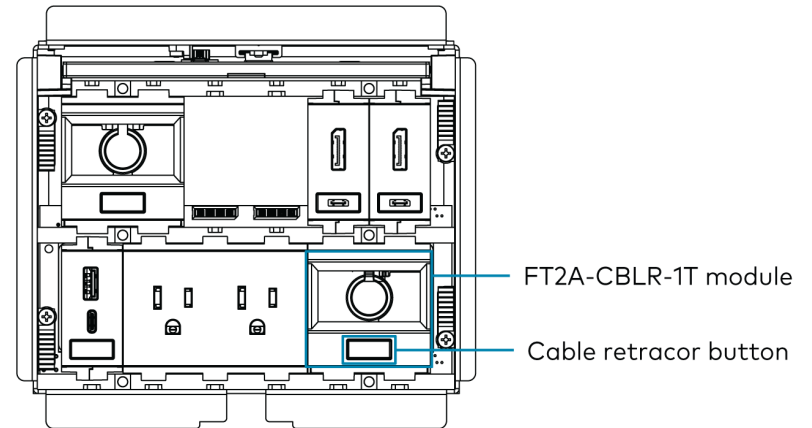
Place the bezel onto the FT2-ELEC assembly so that the retractable lid fits inside the bezel opening. The bezel is held in place using magnets.



### Operate the Cable Retractor Button

Press the cable retractor button to retract the cable back into its seat. The LED backlight provides the cable connector status.

- Solid: The cable retracted successful.
- Flashing: The cable did not fully retract after the cable retractor button was pressed. Remove obstruction to free cable. Once the cable connector returns to its seat within the module, the LED indicator stops flashing and returns to solid.



## FlipTop™ One-Touch Cable Retractors



### Visit the Product Page

Scan the QR code to visit the product page.

FT2A-CBLR-1T Series



[www.crestron.com/model/6508381](http://www.crestron.com/model/6508381)

### Additional Information

#### Original Instructions

The U.S. English version of this document is the original instructions. All other languages are a translation of the original instructions.

Crestron product development software is licensed to Crestron dealers and Crestron Service Providers (CSPs) under a limited nonexclusive, nontransferable Software Development Tools License Agreement. Crestron product operating system software is licensed to Crestron dealers, CSPs, and end-users under a separate End-User License Agreement. Both of these Agreements can be found on the Crestron website at [www.crestron.com/legal/software\\_license\\_agreement](http://www.crestron.com/legal/software_license_agreement).

The product warranty can be found at [www.crestron.com/warranty](http://www.crestron.com/warranty).

The specific patents that cover Crestron products are listed at [www.crestron.com/legal/patents](http://www.crestron.com/legal/patents).

Certain Crestron products contain open source software. For specific information, visit [www.crestron.com/opensource](http://www.crestron.com/opensource).

Crestron, the Crestron logo, Cresnet, and FlipTop are either trademarks or registered trademarks of Crestron Electronics, Inc. in the United States and/or other countries. HDMI is either a trademark or registered trademark of HDMI Licensing LLC in the United States and/or other countries. USB-C and USB Type-C are either trademarks or registered trademarks of USB Implementers Forum, Inc. in the United States and/or other countries. DisplayPort is either trademarks or registered trademarks of Video Electronics Standards Association in the United States and/or other countries. Other trademarks, registered trademarks, and trade names may be used in this document to refer to either the entities claiming the marks and names or their products. Crestron disclaims any proprietary interest in the marks and names of others. Crestron is not responsible for errors in typography or photography.

©2023 Crestron Electronics, Inc.

Doc. 8220D

08/23/23