

Functional Summary

The Crestron® CLTIBN-BLANK Terminal Block for Breakers allows the installation of DIN rail-mounted branch circuit breakers (supplied by others) in a Crestron CAENIB automation enclosure. Every CLTIBN-BLANK includes covers for unoccupied slots on the DIN rail and a door kit that is installed on the cover of the CAENIB enclosure. This door kit allows access to the circuit breakers located on the CLTIBN-BLANK without removing the cover of the CAENIB enclosure. An adhesive label is also provided for identifying controlled circuits.

Industry Compliance

This product complies with the essential requirements of all applicable EU directives.



Installation

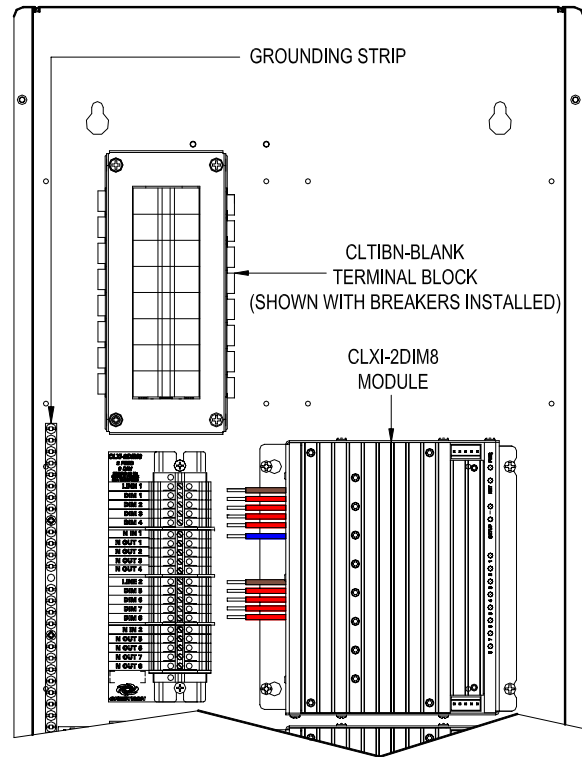
The terminal block must be mounted into a CAENIB Enclosure by a licensed electrician, in accordance with all national and local codes.

CAUTION: This equipment is for indoor use only and needs to be air-cooled. Mount in a well-ventilated area. The ambient temperature must be 0°C to 40°C (32°F to 104°F). The relative humidity must be 0% to 90% (non-condensing).

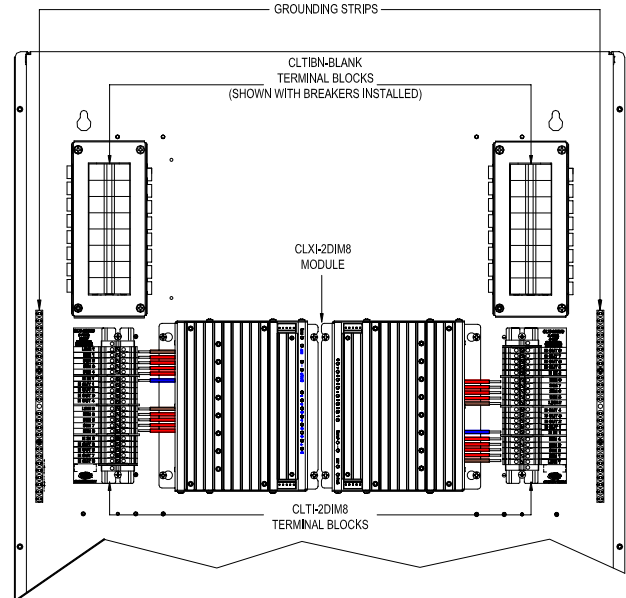
Terminal blocks are installed along the left side of single-wide enclosures and along the outside edges (left and right sides) of double-wide enclosures. Refer to the illustrations shown in the next column when considering the location of terminal blocks and modules within an enclosure.

NOTE: To insure proper fit, terminal blocks must be installed at the locations indicated in the latest version of the CAENIB Installation Guide.

Terminal Block & Module Locations (Single-wide Enclosure)



Terminal Block & Module Locations (Double-wide Enclosure)



NOTE: Unless otherwise indicated, the lighting system specified in this guide is modular, requiring assembly in the field by a licensed electrician, in accordance with all national and local codes.

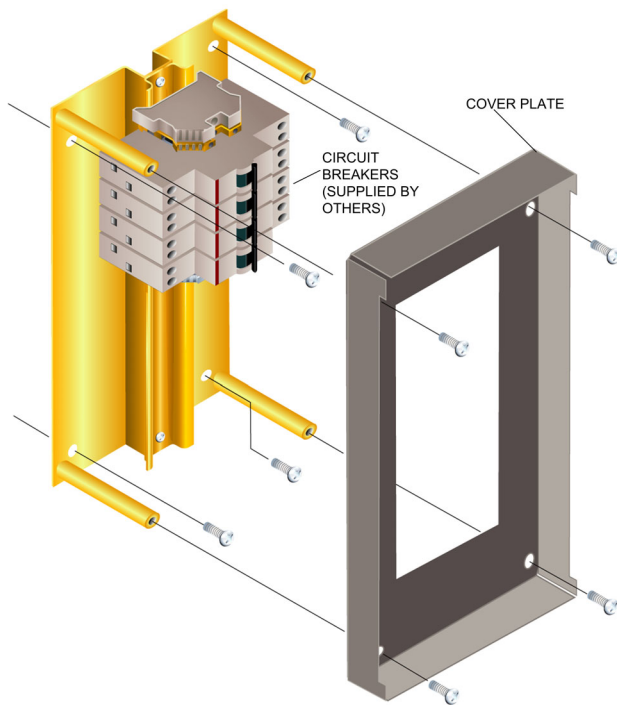
Breaker Installation

Using the diagram below as reference, install DIN rail-mounted circuit breakers in the CLTIBN-BLANK.

1. Using a Phillips screwdriver, remove the four screws securing the cover plate to the CLTIBN-BLANK and remove the cover plate.
2. Mount DIN rail-mounted circuit breakers and other DIN rail components on to the CLTIBN-BLANK's DIN rail.

NOTE: All DIN rail components must be installed and connected according to manufacturer's specifications.

CLTIBN-BLANK Exploded View



3. Use the four supplied self-tapping pan Phillips screws (8B x 1/4-inch (6 mm) length) to secure the terminal block to the Crestron Automation Enclosure.
4. Make all required connections to the circuit breakers.

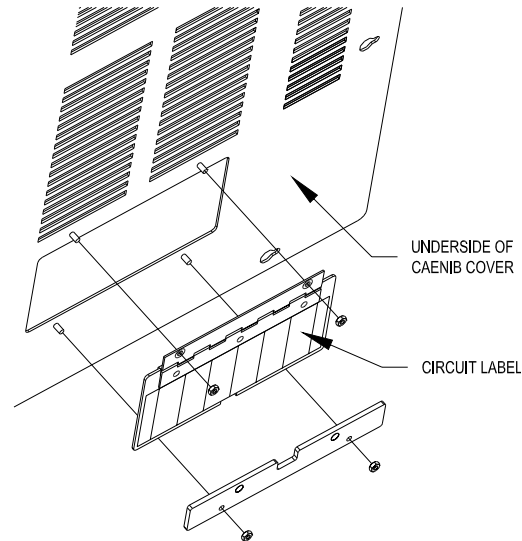
5. Grounding terminal blocks are available in the cabinet for termination of ground wires. Tighten to 4 Nm (2.5 - 6.0 mm²), 4.5 Nm (10.0 mm²), or 5.1 Nm (16 - 25 mm²).
6. Replace the cover plate that was removed during step 1 of the installation procedure.
7. Insert plastic covers into unoccupied slots.

Access Door Installation

After the terminal block has been installed and successfully tested, the access door must be installed on the CAENIB's cover in the location of the terminal block.

1. If a blank plate is installed, remove it by removing the nuts that secure the plate to the CAENIB cover. Remove the plate from the mounting studs on the CAENIB cover.
2. Install the access door assembly as shown in the following diagram.

Install Access Door Assembly (Underside of CAENIB Cover shown)



3. Secure the door assembly to the CAENIB cover, by tightening the included nuts.
4. Open the access door and affix the included blank circuit label to the door. Label the circuits as required.

Further Inquiries

If you cannot locate specific information or have questions after reviewing this guide, please take advantage of Crestron's award winning customer service team by calling the Crestron corporate headquarters at 1-888-CRESTRON [1-888-273-7876]. For assistance in your local time zone, refer to the Crestron website (<http://www.crestron.com/offices>) for a listing of Crestron worldwide offices.

You can also log onto the online help section of the Crestron website (<http://www.crestron.com/onlinehelp>) to ask questions about Crestron products. First-time users will need to establish a user account to fully benefit from all available features.

Return and Warranty Policies

Merchandise Returns / Repair Service

1. No merchandise may be returned for credit, exchange or service without prior authorization from CRESTRON. To obtain warranty service for CRESTRON products, contact an authorized CRESTRON dealer. Only authorized CRESTRON dealers may contact the factory and request an RMA (Return Merchandise Authorization) number. Enclose a note specifying the nature of the problem, name and phone number of contact person, RMA number and return address.
2. Products may be returned for credit, exchange or service with a CRESTRON Return Merchandise Authorization (RMA) number. Authorized returns must be shipped freight prepaid to CRESTRON, 6 Volvo Drive, Rockleigh, N.J. or its authorized subsidiaries, with RMA number clearly marked on the outside of all cartons. Shipments arriving freight collect or without an RMA number shall be subject to refusal. CRESTRON reserves the right in its sole and absolute discretion to charge a 15% restocking fee plus shipping costs on any products returned with an RMA.
3. Return freight charges following repair of items under warranty shall be paid by CRESTRON, shipping by standard ground carrier. In the event repairs are found to be non-warranty, return freight costs shall be paid by the purchaser.

CRESTRON Limited Warranty

CRESTRON ELECTRONICS, Inc. warrants its products to be free from manufacturing defects in materials and workmanship under normal use for a period of three (3) years from the date of purchase from CRESTRON, with the following exceptions: disk drives and any other moving or rotating mechanical parts, pan/tilt heads and power supplies are covered for a period of one (1) year; touchscreen display and overlay components are covered for 90 days; batteries and incandescent lamps are not covered.

This warranty extends to products purchased directly from CRESTRON or an authorized CRESTRON dealer. Purchasers should inquire of the dealer regarding the nature and extent of the dealer's warranty, if any.

CRESTRON shall not be liable to honor the terms of this warranty if the product has been used in any application other than that for which it was intended or if it has been subjected to misuse, accidental damage, modification or improper installation procedures. Furthermore, this warranty does not cover any product that has had the serial number altered, defaced or removed.

This warranty shall be the sole and exclusive remedy to the original purchaser. In no event shall CRESTRON be liable for incidental or consequential damages of any kind (property or economic damages inclusive) arising from the sale or use of this equipment. CRESTRON is not liable for any claim made by a third party or made by the purchaser for a third party.

CRESTRON shall, at its option, repair or replace any product found defective, without charge for parts or labor. Repaired or replaced equipment and parts supplied under this warranty shall be covered only by the unexpired portion of the warranty.

Except as expressly set forth in this warranty, CRESTRON makes no other warranties, expressed or implied, nor authorizes any other party to offer any warranty, including any implied warranties of merchantability or fitness for a particular purpose. Any implied warranties that may be imposed by law are limited to the terms of this limited warranty. This warranty statement supersedes all previous warranties.

Trademark Information

All brand names, product names, and trademarks are the sole property of their respective owners. Windows is a registered trademark of Microsoft Corporation. Windows 95/98/Me/XP/Vista and WindowsNT/2000 are trademarks of Microsoft Corporation.