

## 5 in. Wall Mount Touch Screen, Portrait, Crestron Home™ OS Version

The Crestron® [TSW-570PR](#) is a wall mount touch screen designed specifically to run the Crestron Home™ OS application. The touch screens support H.265/H.264 streaming video and PoE+ (Power over Ethernet Plus) network power.

**NOTE:** For simplicity within this guide, the term "touch screen" is used except where otherwise noted.



### In the Box

- 1 TSW-570PR\*, Wall Mount Touch Screen, Portrait

#### Additional Items

- 1 Bracket, Preconstruction, TSW-UMB-570P-PMK (4531648)
- 1 Bracket, Mounting, TSW-UMB-70 (4531354)
- 2 Screw, 6-32 x 1/2 in., Pan Head, Phillips (2007240)
- 1 Bracket, Security (2055451)
- 2 Screw, M2 x 4 mm, Security (2055454)
- 1 Key, Security Bracket Release (2055452)

\* Refer to the TSW-570PR-B product page at [www.crestron.com](http://www.crestron.com) for a complete list of color variations.



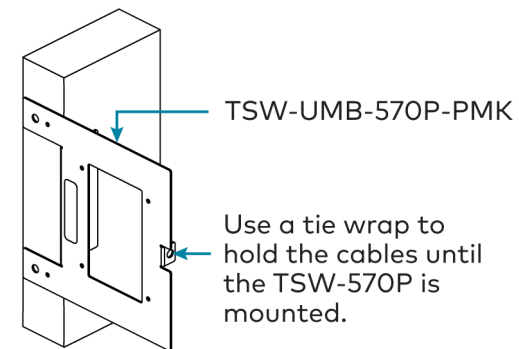
## Install the Mounting Bracket

The TSW-570PR can be mounted into drywall and other surfaces, or it can be mounted onto a wall stud.

**NOTE:** Additional mounting options are possible using the TSW-UMB-70 universal mounting bracket, TSW-UMB-570P-PMK preconstruction mounting kit, or TSW-UMB-70-BBI wall mount back box. For more information, refer to the product pages at [www.crestron.com](http://www.crestron.com).

### Preconstruction Installations

To install the TSW-570PR mounting bracket in preconstruction applications, use standard drywall nails or screws (not included) to attach the TSW-UMB-570P-PMK mounting bracket to a wall stud.



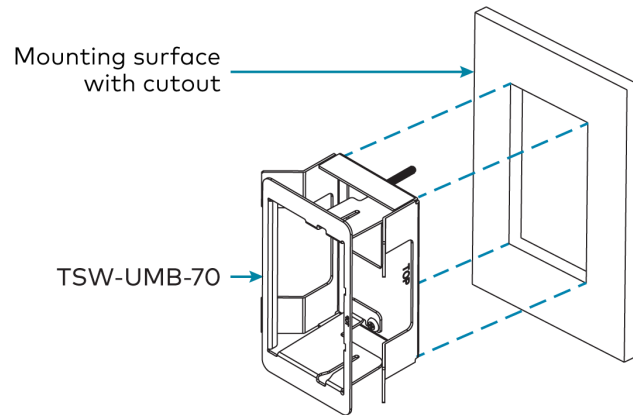
**NOTE:** Allow an air gap of at least 12 in. (305 mm) in the wall cavity above and below the touch screen for heat dissipation.

## 5 in. Wall Mount Touch Screen, Portrait, Crestron Home™ OS Version

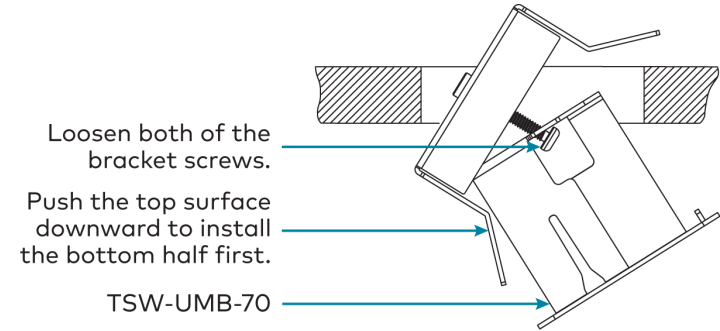
### Postconstruction Installations

To install the TSW-570PR mounting bracket in postconstruction applications:

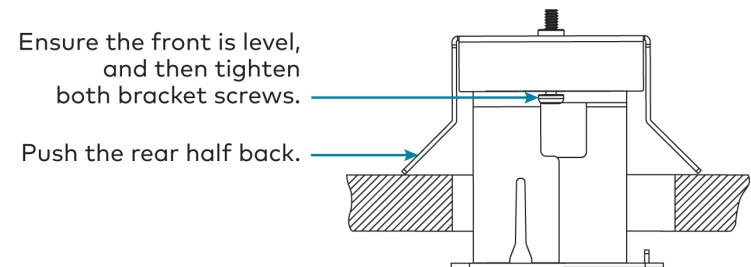
1. Use the TSW-UMB-570P-PMK mounting bracket as a cutout template by turning the bracket to face the wall, ensuring it is level, and tacking it to the wall temporarily with finishing nails (not included) through the smaller holes around the cutout opening.
2. Create an opening in the surface by tracing the cutout opening with an appropriate drywall saw.
3. Loosen the two screws on the TSW-UMB-70 mounting bracket.
4. Install the TSW-UMB-70, left side first, into the opening.



5. Push the rear half of the mounting bracket back so that it is seated behind the mounting surface completely.



6. Ensure the front of the TSW-UMB-70 is level, and then tighten the two bracket screws.



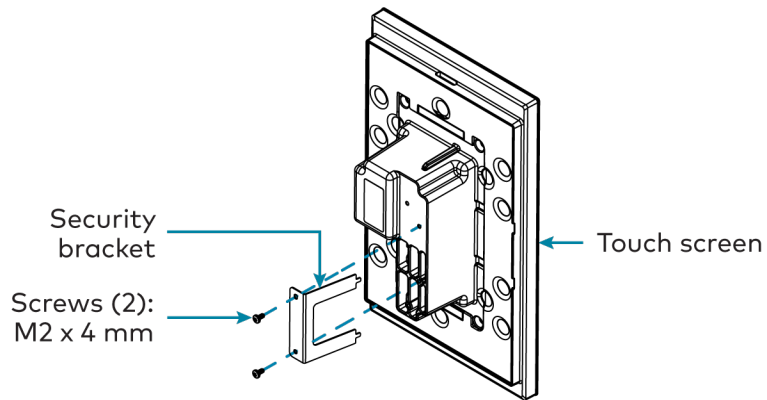
## 5 in. Wall Mount Touch Screen, Portrait, Crestron Home™ OS Version



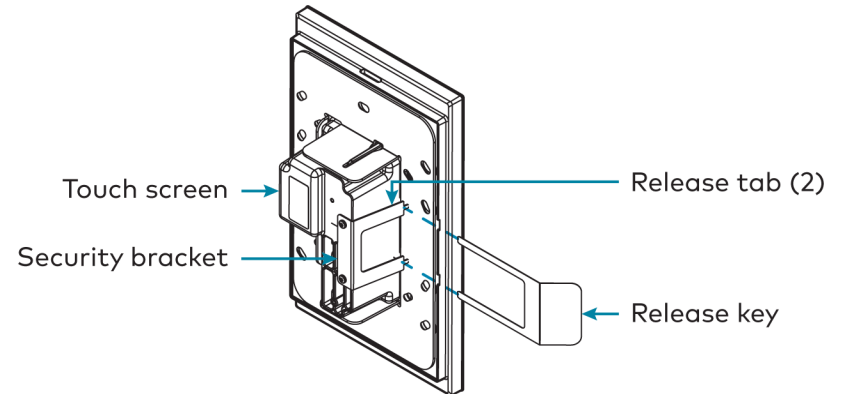
### Install the Security Bracket (Optional)

The included security bracket may be attached to the touch screen to prevent unauthorized removal after installation. The security bracket snaps into place behind the mounting bracket so that the touch screen cannot be removed without using the included release key.

Use the two M2 x 4 mm screws to attach the security bracket to the touch screen rear housing as shown in the following illustration.



To remove the touch screen after installation, use the included release key to push down on the security bracket release tabs as shown in the following illustration while gently pulling the touch screen away from the mounting bracket.

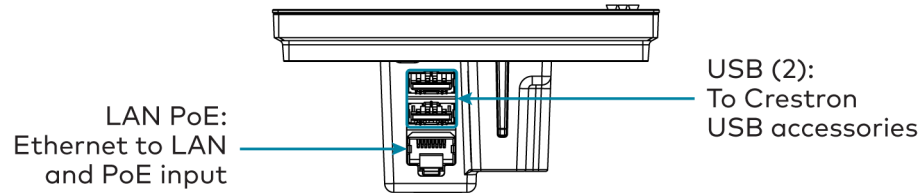


## 5 in. Wall Mount Touch Screen, Portrait, Crestron Home™ OS Version



### Connect the Touch Screen

Route all necessary cables through the rear of the mounting bracket, and then make connections to the of the touch screen rear housing.



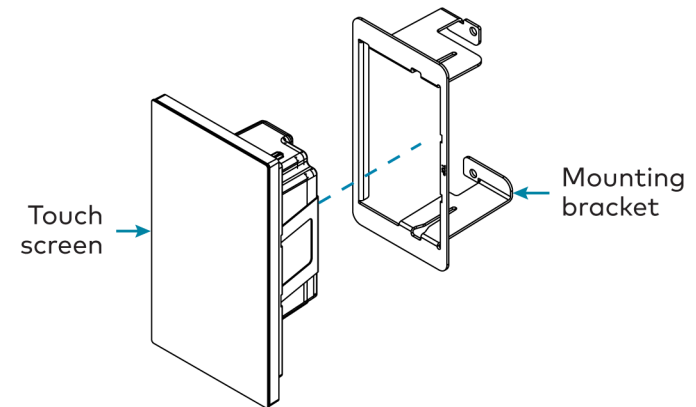
Observe the following when connecting the touch screen:

- Power and data connection is provided to the touch screen by a single Ethernet cable. A Crestron PoE (Power over Ethernet) power supply, such as the [PWE-4803RU](#), or a PoE-capable network switch is recommended (neither included).
- Apply power after all connections have been made.



### Mount the Touch Screen

After all connections have been made, push the touch screen gently into the mounting bracket so that its rear housing is secured within the center opening of the mounting bracket.



If the touch screen is not level after installation, pull it out of the mounting bracket and loosen the screws holding the bracket into place. This procedure allows the mounting bracket to be rotated slightly.

Once the mounting bracket has been repositioned, retighten the screws, reinstall the touch screen into the bracket, and ensure that the touch screen is now level.

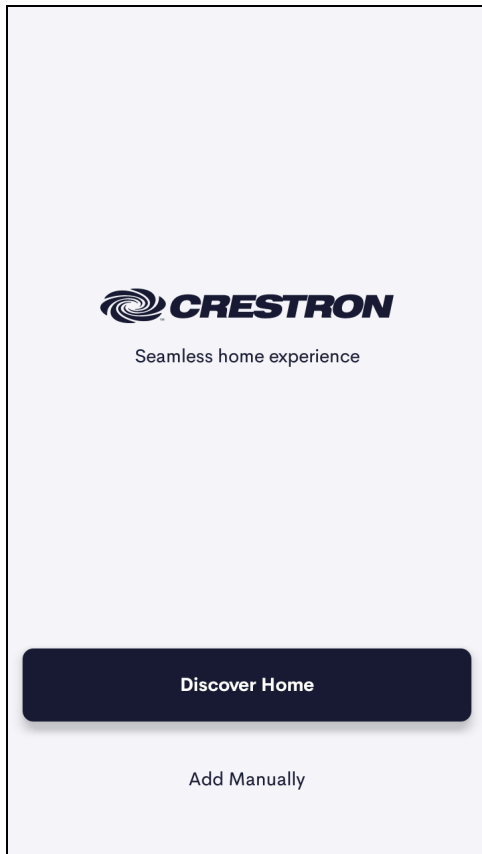
**NOTE:** To clean or disinfect a touch screen display, use a soft, clean, damp (not wet) cloth with any commercially available non-ammonia glass cleaner or disinfectant cleaner. Bezels do not provide a complete watertight seal, so apply cleaning solution to the cloth rather than the surface of the touch screen. Wipe the touch screen clean and avoid ingress of moisture beneath the bezels.

## 5 in. Wall Mount Touch Screen, Portrait, Crestron Home™ OS Version



### Configure the Touch Screen

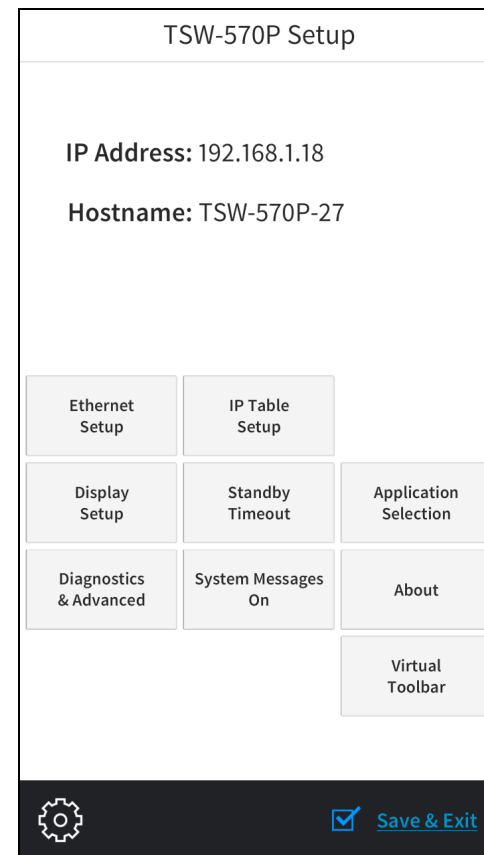
When power is applied for the first time, the touch screen boots to the Crestron Home application setup screen. The touch screen may take up to two minutes to boot.



Device settings for the touch screen may be configured using the built-in setup screens or the web configuration interface. For more information on configuring the touch screen, refer to the [TSW-570, TSW-770, and TSW-1070 Product Manual](#).

### Access the Device Setup Screens

To access the built-in setup screens, place five fingers on the display and hold for 15 seconds. The main Setup screen is displayed (TSW-570 shown).



## 5 in. Wall Mount Touch Screen, Portrait, Crestron Home™ OS Version

Use the setup screens to configure various settings for the touch screen, including Ethernet setup, IP table setup, audio setup, display setup, standby timeout, and diagnostics.

**NOTE:** Time zone settings do not need to be configured on the touch screen, as these settings will be pushed to the touch screen from the control system running Crestron Home.

### Access the Web Configuration Interface

The touch screen provides a web configuration interface that is used to view and configure various touch screen settings. The interface can be accessed using the touch screen IP address.

To access the web configuration interface using the touch screen IP address:

1. Ensure that the touch screen is connected to the network.
2. Use the Device Discovery tool in Crestron Toolbox™ software to discover the touch screen and its IP address on the network.
3. Enter the touch screen IP address into a web browser.



### Create an Admin Account

The first time the web configuration interface is accessed, a dialog box is displayed asking the user to create an admin account. A similar message is displayed when connecting to the device in Crestron Toolbox software if an admin account has not already been created.

To create an admin account:

1. Enter a username and password for the admin account in the appropriate text fields.

**CAUTION:** Do not lose the username and password for the admin account, as the device must be reset to factory settings to regain access.

2. Click **OK**. A dialog box is displayed stating that enabling authentication will restart the web session.
3. Click **Yes** to confirm and restart. The username and password created in step 1 must be entered to regain access to the web configuration interface.

## 5 in. Wall Mount Touch Screen, Portrait, Crestron Home™ OS Version



### Configure the Crestron Home App

The touch screen ships with the Crestron Home user control application running out of the box. The application must be paired with an existing Crestron Home system prior to use.

**NOTE:** A configured Crestron Home system is required for this application. For more information, refer to the [Crestron Home OS Product Manual](#).

To set up the Crestron Home user control application on the touch screen:

1. From the Crestron Home application, tap **Discover Home** to discover a Crestron Home system on the network, or tap **Add Manually** to enter connection information for a Crestron Home system manually.
2. Complete any additional setup and configuration procedures as described in the [Crestron Home OS Product Manual](#).



### Visit the Product Pages

Scan the QR code to visit the product page.

TSW-570PR



[www.crestron.com/model/6511704](http://www.crestron.com/model/6511704)

## 5 in. Wall Mount Touch Screen, Portrait, Crestron Home™ OS Version

### Additional Information

**Original Instructions**

The U.S. English version of this document is the original instructions. All other languages are a translation of the original instructions.

**Regulatory Models:** M201923001

Crestron product development software is licensed to Crestron dealers and Crestron Service Providers (CSPs) under a limited nonexclusive, nontransferable Software Development Tools License Agreement. Crestron product operating system software is licensed to Crestron dealers, CSPs, and end-users under a separate End-User License Agreement. Both of these Agreements can be found on the Crestron website at [www.crestron.com/legal/software\\_license\\_agreement](http://www.crestron.com/legal/software_license_agreement).

The product warranty can be found at [www.crestron.com/warranty](http://www.crestron.com/warranty).

The specific patents that cover Crestron products are listed at [www.crestron.com/legal/patents](http://www.crestron.com/legal/patents).

Certain Crestron products contain open source software. For specific information, visit [www.crestron.com/opensource](http://www.crestron.com/opensource).

Crestron, the Crestron logo, Crestron Home, Crestron Toolbox, and are either trademarks or registered trademarks of Crestron Electronics, Inc. in the United States and/or other countries. Other trademarks, registered trademarks, and trade names may be used in this document to refer to either the entities claiming the marks and names or their products. Crestron disclaims any proprietary interest in the marks and names of others. Crestron is not responsible for errors in typography or photography.

©2021 Crestron Electronics, Inc.

Doc ID 8895B

08/25/21