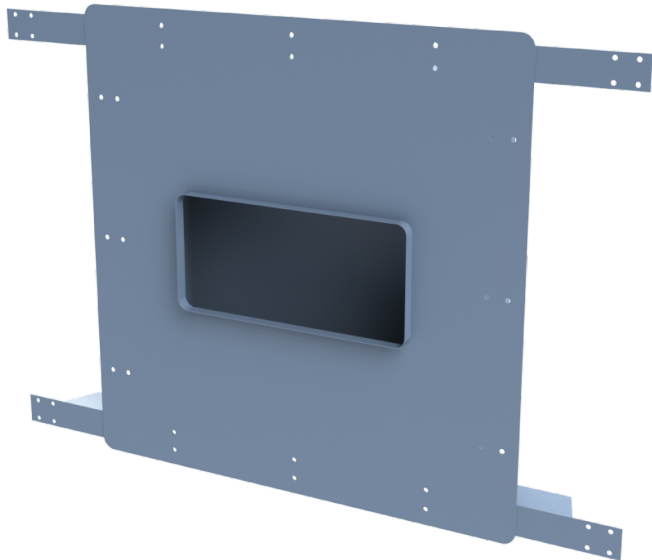


SPKA-BBFR-IW

Back Box for Reference and Ultimate In-Wall Speakers

SPKA-BBFR4-IW4X8

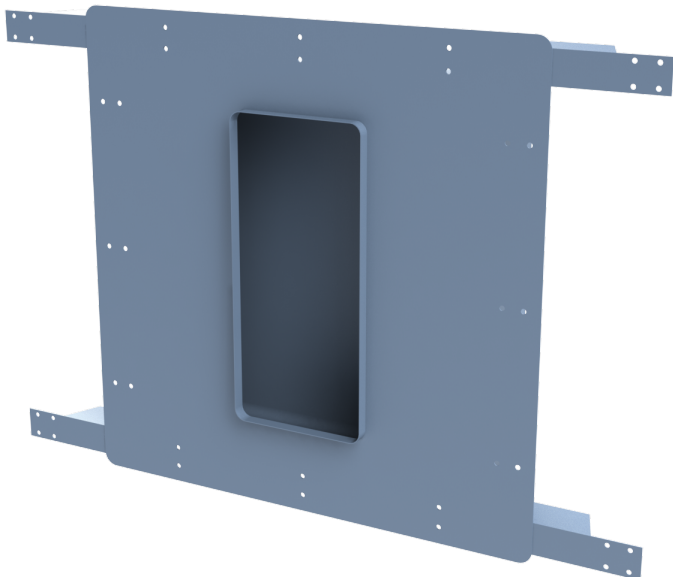


- *Enhanced audio transfer prevention*
- *Designed to meet one-hour fire rating requirements*
- *Perfect for use in both residential and commercial installations*

The back box is a shallow-depth metal enclosure for use with Crestron® Reference and Ultimate in-wall speakers made by Origin Acoustics. The back box is mounted in the ceiling prior to drywall installation.

The back box comes filled with sound damping insulation to help prevent the audio transfer to surrounding rooms, and meets the requirements of the ASTM E119, making it perfect for use in Multi-Dwelling Unit (MDU) and commercial applications.

SPKA-BBFR4-IWLCR62



SPKA-BBFR-IW

Back Box for Reference and Ultimate In-Wall Speakers

Specifications

Dimensions

SPKA-BBFR4-IW4X8

Width	17.99 in. (457 mm)
Height	17.99 in. (457 mm)
Depth	4.10 in. (104 mm)
Cutout Width	5.18 in. (132 mm)
Cutout Height	11.42 in. (290 mm)

Mounting Bracket Centers

Width	24.00 in. (610 mm)
Height	16.00 in. (406 mm)

SPKA-BBFR4-IWL62

Width	17.99 in. (457 mm)
Height	17.99 in. (457 mm)
Depth	4.13 in. (105 mm)
Cutout Width	14.35 in. (365 mm)
Cutout Height	6.76 in. (172 mm)

Mounting Bracket Centers

Width	24.00 in. (610 mm)
Height	16.00 in. (406 mm)

Drywall Screws

Length	0.75 in. (19 mm)
Diameter	2.00 in. (51 mm)

Construction

Enclosure	Powder-coated steel
-----------	---------------------

Models

SPKA-BBFR4-IW4X8

Back Box 4 in. deep for Reference IW4X8 In-Wall Speakers, Single

SPKA-BBFR4-IWL62

Back Box 4 in. deep for Ultimate IW62 In-Wall Speakers, Single

This product may be purchased from select authorized Crestron dealers and distributors. To find a dealer or distributor, please contact the Crestron sales representative for your area. A list of sales representatives is available online at www.crestron.com/How-To-Buy/Find-a-Representative or contact us for additional information by visiting <https://www.crestron.com/contact/our-locations> for your local contact.

This product is covered under the Crestron standard limited warranty. Refer to www.crestron.com/warranty for full details.

The specific patents that cover Crestron products are listed online at patents.crestron.com.

Certain Crestron products contain open source software. For specific information, please visit www.crestron.com/opensource.

Crestron and the Crestron logo are either trademarks or registered trademarks of Crestron Electronics, Inc. in the United States and/or other countries. Origin Acoustics is either a trademark or a registered trademark of Origin Acoustics, Inc. in the United States and/or other countries. Other trademarks, registered trademarks, and trade names may be used in this document to refer to either the entities claiming the marks and names or their products. Crestron disclaims any proprietary interest in the marks and names of others. Crestron is not responsible for errors in typography or photography. Specifications are subject to change without notice.

Specifications are subject to change without notice.

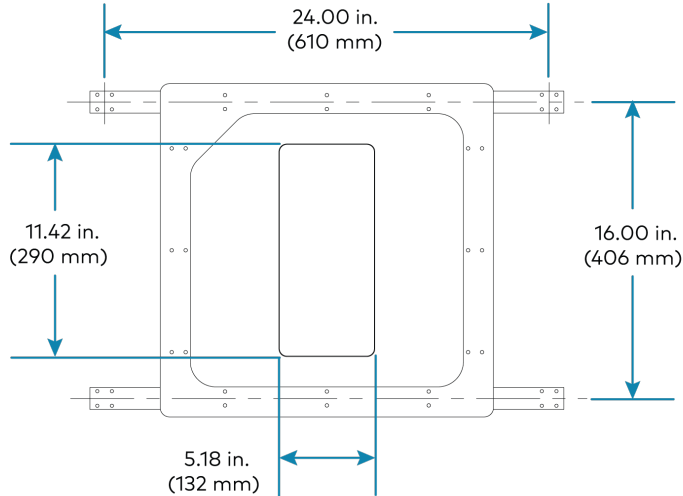
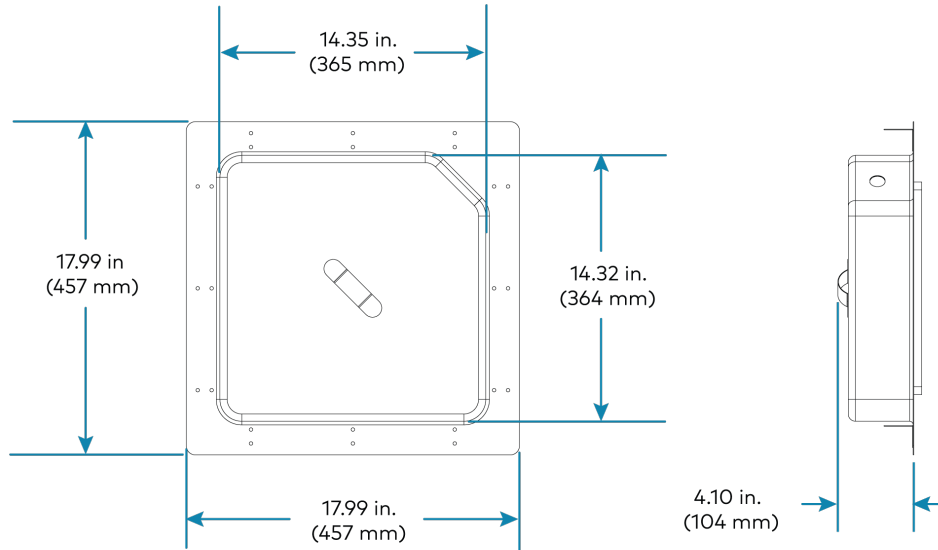
©2021 Crestron Electronics, Inc.

Rev 11/24/21

SPKA-BBFR-IW

Back Box for Reference and Ultimate In-Wall Speakers

SPKA-BBFR4-IW4X8



SPKA-BBFR-IW

Back Box for Reference and Ultimate In-Wall Speakers

SPKA-BBFR4-IWLCR62

