

TS-1080-GV

10.1 in. Tabletop Touch Screen, Government Version



- Next generation Crestron touch screen
- 10.1 in. (257 mm) widescreen active-matrix color display and 1920x1200 WUXGA display resolution
- Capacitive touch screen display
- Custom-programmable virtual control buttons
- Supports Crestron HTML5 software custom user projects
- Built-in speakers
- H.265, H.264, or MJPEG streaming video display
- Native apps for Zoom Rooms® software conferencing control and various room scheduling services
- Built-in web browsing
- Single wire Ethernet connection with PoE or PoE+ power
- USB-C 2.0 port for room availability accessories
- Enterprise grade security and authentication
- Web, cloud, or device-based configuration

The Crestron [TS-1080-GV](#) touch screen is ideal for government and enterprise applications. The TS-1080-GV features a 10.1 in. (257 mm) capacitive touch screen display with custom programmable control buttons and support for HTML5-based custom UI projects. PoE network connectivity and a comprehensive assortment of mounting accessories simplify new and retrofit installations.

NOTE: The TS-1080-GV series is a modified version of the TS-1080 series, which eliminates the microphone, the Bluetooth® communications beacon, Wi-Fi® network connectivity, and proximity sensor to comply with government applications demanding extra privacy and security.

Advanced Touch Screen Control

The TS-1080-GV offers a sleek and powerful user interface for controlling technology in a home, boardroom, conference room, or command center. The touch screen provides an intuitive interface with easy-to-use capacitive controls, true feedback, and real-time status display. Automatic brightness controls ensure optimal visibility under varying lighting conditions.

Custom-Programmable Virtual Buttons

The TS-1080-GV comes preconfigured with virtual buttons for Power, Home, Lights, Up, and Down. Each button can be programmed via a Crestron control system to provide custom functionality, and unused buttons can be hidden individually. The universal status bar is expanded or hidden using simple swipe gestures on touch screen display.

Dynamic User Interfaces

The TS-1080-GV supports custom user interfaces created with [Crestron HTML5 User Interface](#) and [Crestron Construct™](#) technologies, allowing greater flexibility for UI developers and programmers.

- Crestron HTML5 User Interface enables UI designers to develop rich, front-end user interfaces with increased reusability and efficiency using modern web methodologies. Development tools are provided to simplify creating user interfaces built on standard web technologies
- Crestron Construct is a cross-platform developer application that enables programmers to create HTML5-based user interfaces within a WYSIWYG (What You See Is What You Get) environment to further simplify UI development.

Streaming Video

Native support for H.265, H.264, and MJPEG formats allows the TS-1080-GV to display live streaming video from an IP camera or streaming encoder (Crestron [DM-TXRX-100-STR](#), or similar). Video is delivered to the touch screen over Ethernet, eliminating the need for extra video wiring.

Crestron Room Scheduling App

As part of a complete enterprise solution, the TS-1080-GV serves as a room booking interface through the Crestron Room Scheduling app. If desired, a room can be reserved on the spot for an ad hoc meeting. A [CEN-ODT-C-POE](#) occupancy sensor can also be paired to the touch screen, allowing for occupancy status to be reported instantly to the scheduling app for no shows and unscheduled room usage.^{2,3}

Running the Crestron Scheduling App, the TS-1080-GV integrates directly with Microsoft Exchange Server® software (for users of Outlook® software and Microsoft 365® software), the Google Calendar™ calendaring app (including G Suite™ software), CollegeNET® 25Live® scheduling software, or Ad Astra™ software.

Third-Party Scheduling Apps

The TS-1080-GV also includes support for various third-party scheduling applications. New providers are made available via firmware updates. Whatever provider you choose, setup is as simple as connecting the touch screen to the network and choosing an app from the built-in setup screens. The selected app downloads from the cloud and installs on the touch screen without any programming or control system required.^{4,5}

TS-1080-GV

10.1 in. Tabletop Touch Screen, Government Version

Zoom Rooms App

The Zoom Rooms® conferencing control application enables the TS-1080-GV to be used as a touch screen control panel for a Zoom Rooms software-based conferencing and collaboration solution. The TS-1080-GV offers a superior alternative to a consumer tablet device, providing a more reliable and secure platform with versatile, streamlined mounting options. The TS-1080-GV may be configured to run the Zoom Rooms app exclusively, or to allow toggling between the Zoom Rooms app and touch screen control mode. The latter option is used to integrate Zoom Rooms conferencing into a larger AV system, while providing touch screen control for both.⁷

NOTE: The Zoom ultrasonic proximity signal is supported up to an average of 9 ft (2.74 m) from the TS-1080-GV touch screen to an end user device. The range will vary based on environmental noise, the sensitivity of the end user device, and the orientation to the touch screen.

Web Browsing

Using its built in web browser, the TS-1080-GV provides access to online program guides and other web-based services, and it can be used to control DVRs and other devices without having to pick up a tablet or smartphone.¹

Wired Connectivity

An Ethernet LAN connection is all that is required to install the TS-1080-GV, containing all control, video, and power signals within a single wire.

Power over Ethernet

Using PoE technology, the TS-1080-GV gets its operating power directly through the network cable. PoE (Power over Ethernet) eliminates the need for a local power supply or any dedicated power wiring. Crestron PoE switches offer a total networking solution with built in PoE for multiple touch screens. Refer to the full list of supported PoE switches [here](#).

NOTE: Refer to the Power specifications for more details.

Enterprise-Grade Security

Crestron touch screens employ enterprise-grade networking with robust security features such as 802.1X authentication, MDEP, TLS encryption, HTTPS connectivity, and Active Directory® service integration. These features are imperative to protect your network against service interruptions and malicious intrusions, and to ensure compliance with your organization's network policies. Cloud based provisioning and management streamlines the process of configuring, monitoring, and updating every touch screen on the network. Additional support for SNMP allows the touch screen to be monitored by your IT administrator.

XiO Cloud Service

The TS-1080-GV is compatible with the XiO Cloud® service, which is an IoT (Internet of Things) based platform for remotely monitoring and managing Crestron devices across an enterprise or an entire client base. Built on the Microsoft®

Azure® software platform and utilizing Microsoft's industry leading Azure IoT Hub technology, XiO Cloud enables installers and IT managers to deploy and manage thousands of devices simultaneously. Unlike other virtual machine based cloud solutions, Azure services provide unlimited scalability to suit the ever growing needs of an enterprise. For more information, visit the [XiO Cloud](#) page.

Specifications

Touch Screen Display

Display Type	TFT active matrix color LCD
Size	10.1 in. (257 mm) diagonal
Aspect Ratio	16:10 WXGA
Resolution	1920 x 1200 pixels
Brightness	Minimum: 350 nits (cd/m ²) Maximum: 400 nits (cd/m ²)
Contrast	1000:1
Color Depth	24 bit, 16.7M colors
Illumination	Edgelit LED with auto brightness control
Viewing Angle	±80° horizontal, ±80° vertical
Touch Screen	Projected capacitive, 5 point multitouch capable

Buttons

Virtual Buttons	(5) Virtual buttons in collapsible universal tool bar, per button show/hide, preconfigured with icons for Power, Home, Lights, Up, and Down
Reset	(1) Pin hole on bottom for hardware reset

Graphics Engine

Crestron HTML5 multilanguage web browser¹, multilanguage onscreen keyboard, screensaver, dual scalable streaming video window, native Zoom Rooms® app, touch screen setup and diagnostics via web browser, cloud, or onscreen UI

Room Scheduling Support

Crestron Scheduling App	Microsoft Exchange Server® and Microsoft 365® software, Google Calendar™ calendaring app and G Suite™ software, CollegeNET® 25Live® software, and Ad Astra™ software
Third-Party Apps	Includes support for various third-party scheduling applications. ^{3,4,5}

Memory

RAM	8GB LPDDR4
Storage	40GB eMMC pSLC
Maximum Project Size	1000 MB

TS-1080-GV

10.1 in. Tabletop Touch Screen, Government Version

Wired Communications

Ethernet	1000Mbps, autoswitching, autonegotiating, autodiscovery, full/half duplex, TCP/IP, UDP/IP, CIP, DHCP, SSL, TLS, SSH, SFTP (SSH File Transfer Protocol), IEEE 802.1X, SNMP, IPv4 or IPv6, Active Directory® service authentication, HTTPS web browser setup, XiO Cloud® client, IEEE 802.3 at compliant
USB	USB 2.0 host for room scheduling accessories

Streaming Decoder

Video Formats	H.265, H.264 (MPEG-4 part 10 AVC, MJPEG)
Audio Formats	AAC Stereo
Bitrates	Up to 25 Mbps (20 Mbps maximum recommended)
Input Resolutions	Up to 3840x2160@30fps
Protocol	RTSP

Audio

Features	Built-in speakers
-----------------	-------------------

Connectors

LAN PoE	(1) 8-pin RJ-45 connector, female, with 2 LED indicators; 1000BASE-TX Ethernet port; PoE+ PD port; Green and yellow LEDs indicate Ethernet port status
USB	(1) USB Type C connector, female; USB 2.0 host port; USB 3.1 DisplayPort Alt Mode (coming soon)

Power

PoE (Power over Ethernet)	IEEE 802.3at Type 2 compliant PoE+ PD (Powered Device); Requests 30 W (PoE+ Class 4) from an 802.3at Type 2 PSE without LLDP; Requests 15.4 W (PoE Class 0) from an 802.3af (or 802.3at Type 1)
----------------------------------	---

NOTE: Enabling the USB port requires use of an 802.3 at Type 2 PoE+ PSE.

Environmental

Temperature	32 to 104°F (0 to 40°C)
Humidity	10% to 95% RH (noncondensing)
Heat Dissipation	44 BTU/hr

Construction

Housing	Die-cast housing, smooth black or white finish, glass with black or white surround
----------------	--

Dimensions

Height	5.96 in. (151 mm)
Width	9.68 in. (246 mm)
Depth	4.53 in. (115 mm)

Weight

2.23 lb (464 g)

Compliance

Regulatory Model: M202404006

FCC Part 15 Class B, IC Class B, CE, UL® Listed for US and Canada/Intertek®

Model

TS-1080-GV-B

10.1 in. Tabletop Touch Screen, Government Version, Black

Available Accessories

For supported accessories, visit the TS-1080-GV product page at www.crestron.com.

Notes:

1. Web browsing, weather information, and certain other functions require an Internet connection.
2. Item(s) sold separately. Refer to each product's spec sheet for complete information.
3. Room scheduling mode requires the TS-1080-GV to be designated exclusively for room scheduling use, which precludes use of certain features and functions described in this spec sheet. Additionally, CollegeNET® 25Live® scheduling software and Ad Astra™ software do not support scheduling ad hoc meetings from the touch screen. For design assistance, contact the Crestron True Blue support team at www.crestron.com/support.
4. Refer to the firmware release notes for a list of all scheduling apps that are supported by that firmware release.
5. Additional subscriptions and/or licenses may be required. Refer to each provider's website for details about the capabilities and requirements of its scheduling application and services. Third party apps typically run on the TS-1080-GV as they do on a tablet device. The TS-1080-GV runs only one app, which is selected at setup. Only the apps approved and delivered by Crestron can run on the TS-1080-GV.

This product may be purchased from select authorized Crestron dealers and distributors. To find a dealer or distributor, please contact the Crestron sales representative for your area. A list of sales representatives is available online at www.crestron.com/How-To-Buy/Find-a-Representative or contact us for additional information by visiting www.crestron.com/contact/our-locations for your local contact.

TS-1080-GV

10.1 in. Tabletop Touch Screen, Government Version

The original language version of this document is U.S. English.
All other languages are a translation of the original document.

The product warranty can be found at www.crestron.com/warranty.

The specific patents that cover Crestron products are listed online at www.crestron.com/legal/patents.

Certain Crestron products contain open source software. For specific information, please visit www.crestron.com/opensource.

Crestron, the Crestron logo, Cresnet, Crestron Fusion, Crestron Home, Crestron One, DigitalMedia, Smart Graphics, Sonnex, and XiO Cloud are either trademarks or registered trademarks of Crestron Electronics, Inc. in the United States and/or other countries. Ad Astra is either a trademark or a registered trademark of Ad Astra Information Systems, LLC in the United States and/or other countries. CollegeNET and 25Live are either trademarks or registered trademarks of CollegeNET, Inc. in the United States and/or other countries. G Suite and Google Calendar are either trademarks or registered trademarks of Google, Inc. in the United States and/or other countries. IBM and Notes are either trademarks or registered trademarks of International Business Machines Corporation in the United States and/or other countries. Microsoft, Active Directory, Azure, Microsoft Exchange Server, Microsoft 365, and Outlook are either trademarks or registered trademarks of Microsoft Corporation in the United States and/or other countries. Apple, Apple Music, Apple TV, and Macintosh are either trademarks or registered trademarks of Apple, Inc. in the United States and/or other countries. UL is either a trademark or a registered trademark of Underwriters Laboratories, Inc. in the United States and/or other countries. Other trademarks, registered trademarks, and trade names may be used in this document to refer to either the entities claiming the marks and names or their products. Crestron disclaims any proprietary interest in the marks and names of others. Crestron is not responsible for errors in typography or photography.

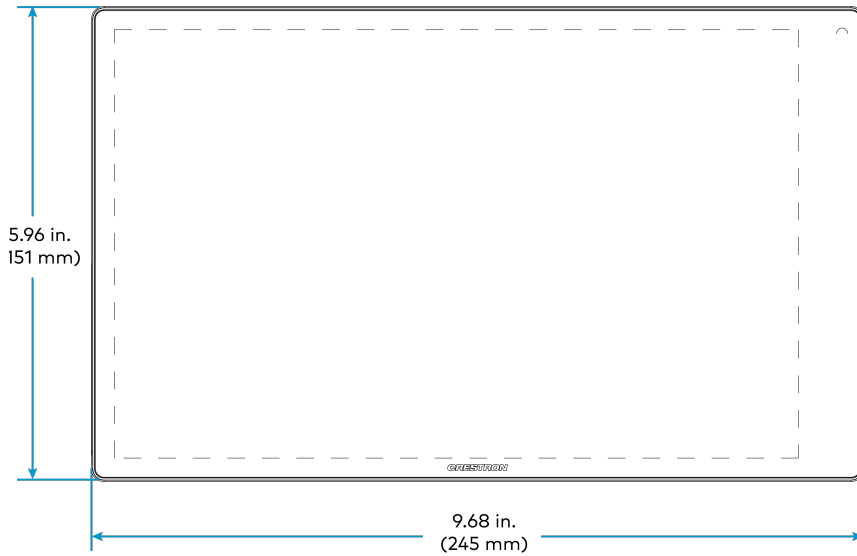
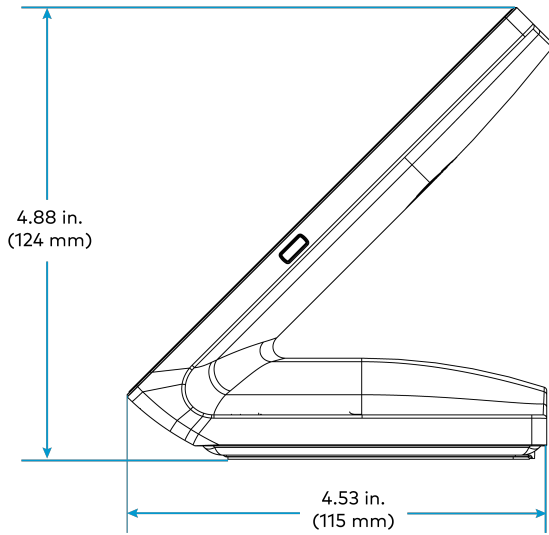
Specifications are subject to change without notice.

©2026 Crestron Electronics, Inc.

Rev 01/17/26

TS-1080-GV

10.1 in. Tabletop Touch Screen, Government Version



TS-1080-GV

10.1 in. Tabletop Touch Screen, Government Version

