

# TS-5-MSMK

## Multisurface Mount Kit for TSW-560, TSW-560P, and TSW-560-NC

The Crestron® TS-5-MSMK multisurface mount kit provides a versatile mounting solution for Crestron TSW-560, TSW-560P, and TSW-560-NC touch screens. Using the TS-5-MSMK, the touch screen may be mounted directly onto glass, granite, marble, plaster, smooth stone and masonry, or almost any other flat surface using the included adhesive mounting plate.

The TS-5-MSMK comes with two rear housings—one with a cutout hole in the top of the housing and one with a cutout hole in the side of the housing—for running concealed cables to the touch screen using the included adhesive-backed raceway. Depending on the desired cable route, the appropriate rear housing can be used in the installation to eliminate unused cutout holes.

### Check the Box

Item	Qty
<b>TS-5-MSMK</b>	1
Coupler, Plastic (P/N 2049574)	2
Fitting, Plastic, Inside Corner (P/N 2049571)	1
Fitting, Plastic, Outside Corner (P/N 2049572)	1
Fitting, Plastic, Right Angle (P/N 2049573)	2
Raceway, PVC, 3 ft x 0.45 in. x 0.77 in. (P/N 2049567)	3
Screw, 4-40 x 1/4 in., Undercut Head, Phillips, Black (P/N 2007152)	2
Screw, 4-40 x 3/8 in., Undercut Head, Phillips, Black (P/N 2007173)	2
Spacer, Nylon, with Adhesive (P/N 2053356)	2
Template, Overlay (P/N 4529901)	1
<b>TS-5-MSMK-B Only</b>	
Bracket, Plastic, Side Cutout, Black (P/N 4529685)	1
Bracket, Plastic, Top Cutout, Black (P/N 4529683)	1
Cap, Plastic, with Adhesive, Black (P/N 4529686)	1
Mounting Plate, with Adhesive, Black (P/N 4529681)	1
<b>TS-5-MSMK-W Only</b>	
Bracket, Plastic, Side Cutout, White (P/N 4529684)	1
Bracket, Plastic, Top Cutout, White (P/N 4529682)	1
Cap, Plastic, with Adhesive, White (P/N 4529579)	1
Mounting Plate, with Adhesive, White (P/N 4529680)	1

### Install the TS-5-MSMK

Use the following procedures to mount the TS-5-MSMK onto a flat pane of glass or a similar smooth surface (such as granite, marble, plaster, or smooth stone and masonry). The adhesive on the TS-5-MSMK mounting plate attaches permanently to the surface.

**NOTE:** For portrait touch screens (such as the TSW-560P), the TS-5-MSMK may be installed vertically using the same procedures required for a landscape touch screen installation.

After the installation is complete, the included raceway kit may be installed on a nearby smooth surface to conceal cables running to the touch screen. For more information, refer to the "Install the Raceway Kit" section.

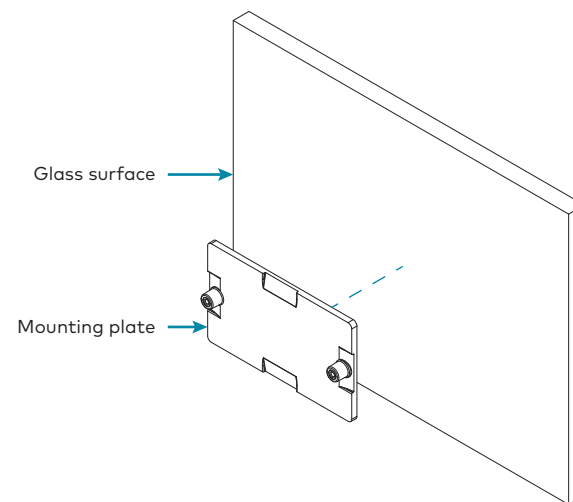
The following supplies (not included) are required for this installation: a level, a roll of tape, a Phillips screwdriver, and a surface cleaning product that does not leave a film.

#### Attach the Mounting Plate to the Surface

- Clean and dry the mounting surface thoroughly.
- Use a level to tape a horizontal reference line to the surface to align with the lower edge of the mounting plate.
- Remove the protective covering from the rear of the TS-5-MSMK mounting plate.

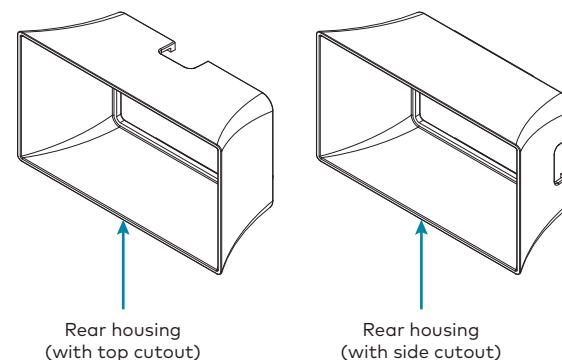
**CAUTION:** The adhesive on the rear of the mounting plate is high-strength bond. Once the adhesive comes in contact with a surface, it cannot be removed easily.

- Hold the mounting plate at a 45-degree angle to the surface, and then carefully align the lower edge of the pad with the taped reference line. Do not allow the adhesive to come in contact with the surface.
- Attach the mounting plate to the surface, starting with the bottom edge near the taped reference line. Press the pad to the surface firmly to ensure proper adhesion and to eliminate any trapped air bubbles.



#### Select a Rear Housing for the Installation

The TS-5-MSMK ships with two rear housings: one with a cutout hole in the top of the housing and one with a cutout hole in the side of the housing. Use the rear housing that supports the desired cable route. The unused rear housing may be discarded or retained for future use.



To determine the correct rear housing to use for the installation:

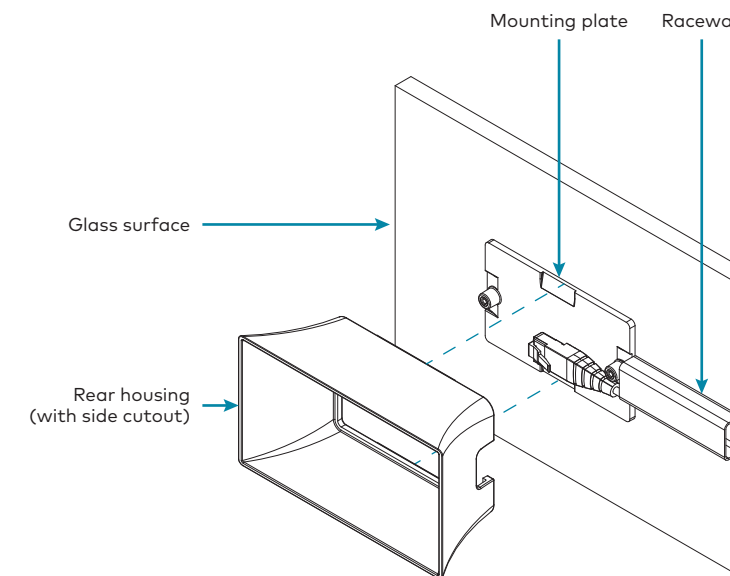
- Decide where the included raceway will be installed and whether the raceway will be entering the rear housing from the top, bottom, left, or right side.
- Select the appropriate rear housing:
  - Select the rear housing with the side cutout if the raceway will enter the housing from the left or right sides.
  - Select the rear housing with top cutout if the raceway will enter the housing from the top or bottom.
- Rotate the rear housing until the cutout is positioned next to the raceway opening.

#### Attach the Rear Housing to the Mounting Plate

**NOTE:** If the TSW-560-LB light bar will be installed with the touch screen, refer to the TSW-560-LB Quick Start (Doc. 8367) at [www.crestron.com/manuals](http://www.crestron.com/manuals) for instructions. The included 4-40 x 1/4 in. screws and nylon spacers are required for this installation.

- Loosely route any necessary cables through the cutout hole in the chosen rear housing and out of the center opening of the rear housing.
- Remove the protective strips from the rear of the TS-5-MSMK rear housing.
- Hold the rear housing at a 45-degree angle to the surface, and then carefully align the lower edge of the rear housing with the mounting plate. Do not allow the adhesive to come in contact with the surface.

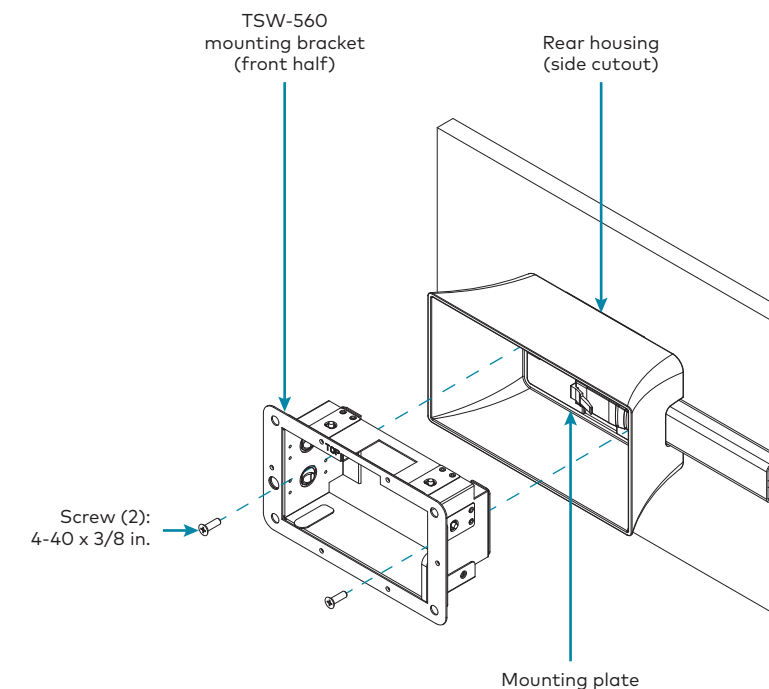
- Attach the rear housing to the surface, starting with the bottom edge near the mounting plate. Press the rear housing to the surface firmly to ensure proper adhesion and to eliminate any trapped air bubbles.



**NOTE:** The raceway shown in the image above conceals cables running to the touch screen and can be installed to the surface before or after the rear housing is installed. For more information, refer to the "Install the Raceway Kit" section.

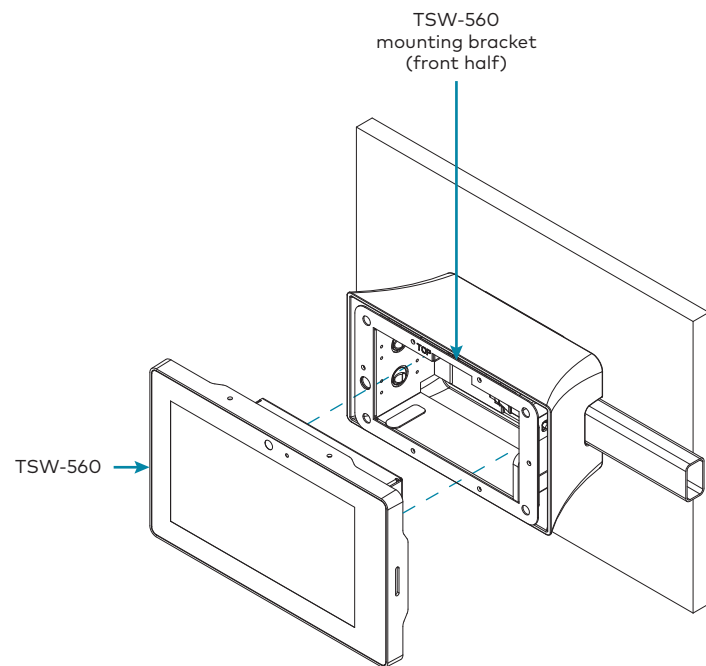
#### Attach the TSW-560 Mounting Bracket to the TS-5-MSMK

- Separate the two halves of the TSW-560 mounting bracket (included with the touch screen) by removing the two 1-1/2 in. screws that hold the halves together. These screws may be discarded.
- Use the included 4-40 x 3/8 in. screws to attach the front half of the TSW-560 mounting bracket to the mounting plate through the center opening of the rear housing. The screws attach to the two raised screw holes in the mounting plate.

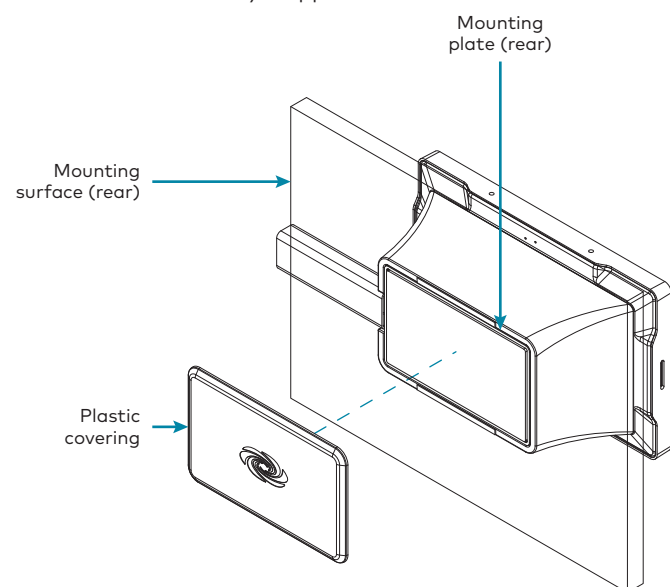


## Complete the Installation

1. Connect all necessary cables to the rear of the touch screen.
2. Push the touch screen gently into the mounting bracket until the rear of the touch screen snaps into place inside the mounting bracket.



3. (Optional) To provide a finished appearance for installations on glass or other transparent surfaces, install the included molded plastic cover on the opposite side of the surface behind the TS-5-MSMK:
  - a. Use a level to align the included overlay template with the rear of the mounting plate on the opposite side of the surface.
  - b. Tape the overlay template to the mounting surface.
  - c. Remove the protective covering from the rear of the plastic cover.
  - d. Using the overlay template as a guide, align the plastic cover with the rear of the mounting plate. Do not allow the adhesive to come in contact with the surface.
  - e. Attach the plastic cover to the surface, starting with the bottom edge near the mounting plate. Press the plastic cover to the surface firmly to ensure proper adhesion and to eliminate any trapped air bubbles.



## Install the Raceway Kit

The included raceway kit can be installed on a nearby smooth surface to conceal cables running to the touch screen from the floor, ceiling, or an adjacent wall, pillar, or mullion. The raceway kit contains three cable channels, two flat elbows, one inside elbow, one outside elbow, and two couplings.

**NOTE:** Do not install the raceway kit on textured surfaces.

To install the raceway kit:

1. Clean and dry the mounting surface thoroughly.
2. After planning the cable route, cut the raceway to the required length. The raceway can also be cut to a specific shape near the rear housing cutout for a finished appearance.
3. Insert all necessary cables into the openings in the raceway. Press on the raceway to snap the opening shut.
4. Remove the protective backing from the rear of the raceway to expose an adhesive strip.
5. Press the raceway firmly against the mounting surface until it adheres completely. Ensure the raceway is level as it is applied to the surface.
6. Attach any elbows, couplings, and additional cable channels as necessary.

**NOTE:** The raceway may be painted after installation to match the walls or the surrounding decor.

## For Additional Information

Scan or click the QR code for detailed product information.



TS-5-MSMK

## Compliance and Legal

**Original Instructions:** The U.S. English version of this document is the original instructions. All other languages are a translation of the original instructions.

The product warranty can be found at [www.crestron.com/warranty](http://www.crestron.com/warranty).

The specific patents that cover Crestron products are listed at [www.crestron.com/legal/patents](http://www.crestron.com/legal/patents).

Certain Crestron products contain open source software. For specific information, please visit [www.crestron.com/opensource](http://www.crestron.com/opensource).

Crestron and the Crestron logo are either trademarks or registered trademarks of Crestron Electronics, Inc. in the United States and/or other countries. Other trademarks, registered trademarks, and trade names may be used in this document to refer to either the entities claiming the marks and names or their products. Crestron disclaims any proprietary interest in the marks and names of others. Crestron is not responsible for errors in typography or photography.

©2019 Crestron Electronics, Inc.

**Crestron Electronics, Inc.**  
15 Volvo Drive, Rockleigh, NJ 07647  
Tel: 888.CRESTRON  
Fax: 201.767.7576  
[www.crestron.com](http://www.crestron.com)

**Quick Start - Doc. 8427A**  
(2053191)  
01.19

Specifications subject to change without notice.