

# IV-CAM-I12D-B

Crestron 1 Beyond i12D Intelligent 4K Dual Camera Speaker Tracking Solution, 12x Optical Zoom, Moon Gray



- *Visual AI for speaker tracking and group framing*
- *Automatically pans, tilts, and zooms with dual cameras, no external system required*
- *High quality cameras supporting resolutions up to 4K30*
- *Supports 12x optical zoom for speaker tracking distances up to 25 ft from participants*
- *Connects directly to a codec running Microsoft Teams® or Zoom Rooms™ software*
- *Easily configured with Crestron 1 Beyond Camera Manager 2 software*
- *Single Ethernet connection provides viewing and control*
- *Serves as the primary camera for Intelligent Switching*
- *Compatible with a variety of audio solutions*
- *Dynamic lightbar that displays the current camera status*

The IV-CAM-I12D-B is an intelligent speaker tracking solution that utilizes a pair of 4K PTZ cameras to automatically follow the active speaking participant. Featuring a 4K reference camera and integrated microphone array for spatial audio detection, the IV-CAM-I12D-B is suited for medium to large spaces requiring close-up views of speaking participants. Capable of speaker tracking, group framing, and dynamic composition camera shots, the IV-CAM-I12D-B fits perfectly into a meeting space. All Visual AI is built into the camera — no external system is needed.

## Speaker Tracking Technology

Speaker tracking uses voice and facial detection to automatically switch to a camera shot of the active speaking participant. With two 4K PTZ cameras available, the IV-CAM-I12D-B allows remote participants to follow an in-room conversation without seeing camera movement.

## Group Framing Capability

Group framing utilizes Visual AI to frame multiple participants smoothly in medium to large conference rooms. The wide-angle reference camera continuously detects when participants enter or leave the camera shot, and the PTZ camera reframes the shot automatically to fit participants.

## Customizable Composition Camera Shots

Change the layout of the camera output to create the desired experience. Switch between full-screen, picture-in-picture, and Conversation Mode layouts to ensure that all speaking participants are shown to remote viewers. Customize the picture-in-picture location, Conversation Mode's properties, and speaker tracking properties in the Crestron 1 Beyond Camera Manager 2 software.

## Intelligent Switching Capability

The IV-CAM-I12D-B serves as the primary camera for Intelligent Switching configurations. Combine this camera with up to four other Crestron 1 Beyond cameras for an automated camera switching experience. Intelligent Switching can change the camera output based on either Visual Cues or Custom Cues depending on the desired experience.

## Combine with Microphones and Speakers

The IV-CAM-I12D-B works with a variety of microphones and audio speakers. Connect existing in-room audio devices to the AES67 or AUDIO REF inputs on the camera to prevent unwanted speaker tracking detection.

## Conferencing Compatibility

The IV-CAM-I12D-B camera is compatible with Microsoft Teams® and Zoom Rooms® conferencing software. Use the rear USB port to connect a USB cable to a compatible codec for conferencing software use.

## Networked Viewing and Control

Connect a single Ethernet cable to view, set up, and control the IV-CAM-I12D-B camera.

## High Quality 4K Video

A high quality Sony® CMOS sensor enables the camera to output up to 4K30 resolution video.

## Dynamic Lightbar Indicator

The lightbar on the front of the camera dynamically changes color and length depending on which mode the camera is currently in, providing immediate feedback about camera operation.

# IV-CAM-I12D-B

Crestron 1 Beyond i12D Intelligent 4K Dual Camera Speaker Tracking Solution, 12x Optical Zoom, Moon Gray

## Specifications

### Optics

|                                  |  |
|----------------------------------|--|
| <b>Image Sensor</b>              | 1/2.8 4K Sony® CMOS Sensors  |
| <b>Optical Zoom</b>              | 12x  |
| <b>Focal Length</b>              | F=34-40.3 mm   |
| <b>Field of View (PTZ)</b>       | Horizontal: 80.5°  |
| <b>Field of View (Reference)</b> | Horizontal: 110°   |
| <b>Shutter Speed</b>             | 1/60-1/10,000 sec  |
| <b>Iris</b>                      | F1.8-F3.6  |
| <b>Minimum Illumination</b>      | 2 lux  |
| <b>Pan/Tilt Angle</b>            | Pan: -130° — 130°, Tilt: -30° — 90°                                |
| <b>Pan/Tilt Speed</b>            | Pan: 0.2° — 90°/s, Tilt: 0.2° — 70°/s                              |
| <b>White Balance</b>             | Auto, One Push, Manual, Static                                     |
| <b>Exposure</b>                  | Auto, Manual, Shutter Priority, Iris Priority, Brightness Priority |
| <b>Signal to Noise Ratio</b>     | ≥50dB  |

### Camera Processing

|                                    |   |
|------------------------------------|---|
| <b>Intelligent Video Functions</b> | Speaker Tracking, Group Framing, Conversation Mode, Intelligent Switching |
| <b>Recommended Range</b>           | 5-25 ft   |
| <b>Presets</b>                     | Up to 512 configurable presets  |

### Video

|                       |  |
|-----------------------|--|
| <b>Video Outputs</b>  | HDMI®, USB, RTSP   |
| <b>Signal Formats</b> | HDMI: 4K30/25, 1080p59.94/50/30/29.94/25, 720p59.94/50;<br>USB (NV12 and MJPEG): 4K30/25, 1440p30, 1080p30/25, 720p30/25, 360p30 |

### Communications

|                         |  |
|-------------------------|--|
| <b>Ethernet</b>         | RJ-45, 1000Mbps  |
| <b>Serial</b>           | RS-232, RS-485   |
| <b>Control Protocol</b> | VISCA Passthrough, VISCA over IP, PELCO-D, PELCO-P, UVC, AES67 (input)                 |
| <b>AUDIO REF</b>        | (1) 3-pin 3.5 mm detachable terminal block; Balanced audio input for analog connection |
| <b>COM</b>              | (1) 5-pin 3.5 mm detachable terminal block; Bidirectional RS-232/485 port              |
| <b>USB2 TO DEVICE</b>   | (1) USB Type A connector, female (not used)  |
| <b>HDMI OUT</b>         | (1) HDMI Type A connector; HDMI digital video output                                   |
| <b>USB3 TO HOST</b>     | (1) USB Type C connector, female; USB 3.0/2.0 device port for video and control        |
| <b>24VDC 2.5A</b>       | (1) 5.5 mm DC power connector; 24VDC power input                                       |

### Management Client

|                 |  |
|-----------------|--|
| <b>Software</b> | Crestron 1 Beyond Camera Manager 2 (Windows® OS computer required) |
|-----------------|--|

### Controls and Indicators

|                   |   |
|-------------------|---|
| <b>Status Bar</b> | (1) Multisegment tricolor LED bargraph; Half green LED bargraph indicates live camera feed; Full green LED bargraph indicates camera tracking; Full amber LED bargraph indicates firmware upgrade; Half red LED bargraph indicates Privacy Mode |
| <b>RESET</b>      | (1) Recessed push button for hardware reset   |

### Power

|                             |  |
|-----------------------------|--|
| <b>Power Source Options</b> | Power Pack ( <a href="#">PW-2420RU</a> ) |
| <b>Power Pack</b>           | 24VDC, 2.5A, 50/60 Hz                    |

### Environmental

|                    |                               |
|--------------------|-------------------------------|
| <b>Temperature</b> | 32° to 104°F (0° to 40°C)     |
| <b>Humidity</b>    | 10% to 90% RH (noncondensing) |

### Construction

|                         |                                    |
|-------------------------|------------------------------------|
| <b>Mounting Options</b> | i12D Wall Mount Bracket (included) |
| <b>Mounting Thread</b>  | 1/4 in. threaded mount holes       |

# IV-CAM-I12D-B

Crestron 1 Beyond i12D Intelligent 4K Dual Camera Speaker Tracking Solution, 12x Optical Zoom, Moon Gray

## Dimensions

---

|               |                   |
|---------------|-------------------|
| <b>Height</b> | 7.61 in. (193 mm) |
| <b>Width</b>  | 19.69 in. (500mm) |
| <b>Depth</b>  | 6.10 in. (155 mm) |

## Weight

---

9.00 lb (4.08 kg)

## Compliance

---

### Regulatory Model: M202306005

FCC Part 15 Class B, IC Class B, CE, Intertek® Listed for US and Canada

## Model

### IV-CAM-I12D-B

Crestron 1 Beyond i12D Intelligent 4K Dual Camera Speaker Tracking Solution, 12x Optical Zoom, Moon Gray

## Available Accessories

For a list of available accessories, visit the [IV-CAM-I12D-B](#) product page.

This product may be purchased from select authorized Crestron dealers and distributors. To find a dealer or distributor, please contact the Crestron sales representative for your area. A list of sales representatives is available online at [www.crestron.com/How-To-Buy/Find-a-Representative](http://www.crestron.com/How-To-Buy/Find-a-Representative) or contact us for additional information by visiting [www.crestron.com/contact/our-locations](http://www.crestron.com/contact/our-locations) for your local contact.

The original language version of this document is U.S. English. All other languages are a translation of the original document.

The product warranty can be found at [www.crestron.com/warranty](http://www.crestron.com/warranty).

The specific patents that cover Crestron products are listed online at [www.crestron.com/legal/patents](http://www.crestron.com/legal/patents).

Certain Crestron products contain open source software. For specific information, please visit [www.crestron.com/opensource](http://www.crestron.com/opensource).

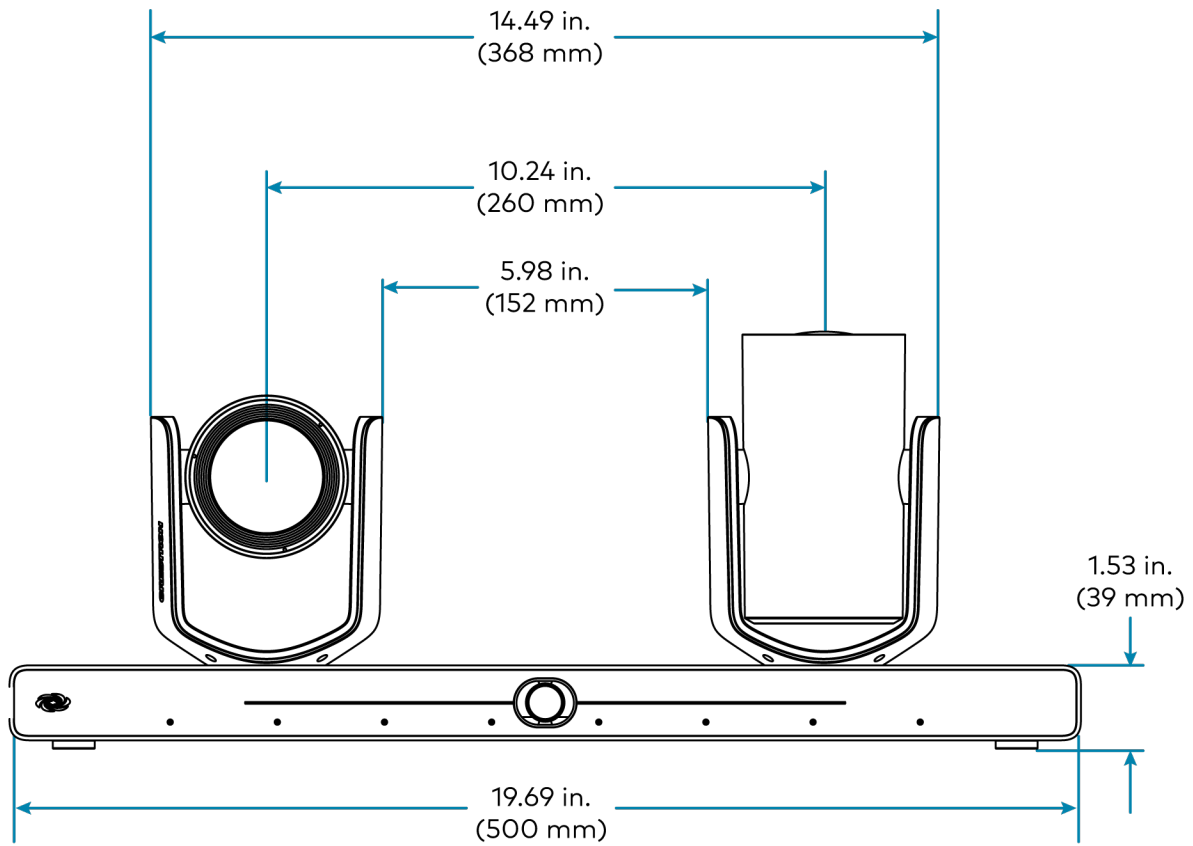
Crestron and the Crestron logo are either trademarks or registered trademarks of Crestron Electronics, Inc. in the United States and/or other countries. HDMI is either a trademark or a registered trademark of HDMI Licensing LLC in the United States and/or other countries. Intertek and the Intertek logo are either trademarks or registered trademarks of Intertek Group in the United States and/or other countries. Microsoft Teams is either a trademark or a registered trademark of Microsoft Corporation in the United States and/or other countries. Windows is either a trademark or a registered trademark of Microsoft Corporation in the United States and/or other countries. Zoom Rooms is either a trademark or registered trademark of Zoom Video Communications, Inc. in the United States and/or other countries. Other trademarks, registered trademarks, and trade names may be used in this document to refer to either the entities claiming the marks and names or their products. Crestron disclaims any proprietary interest in the marks and names of others. Crestron is not responsible for errors in typography or photography.

Specifications are subject to change without notice.

©2026 Crestron Electronics, Inc.

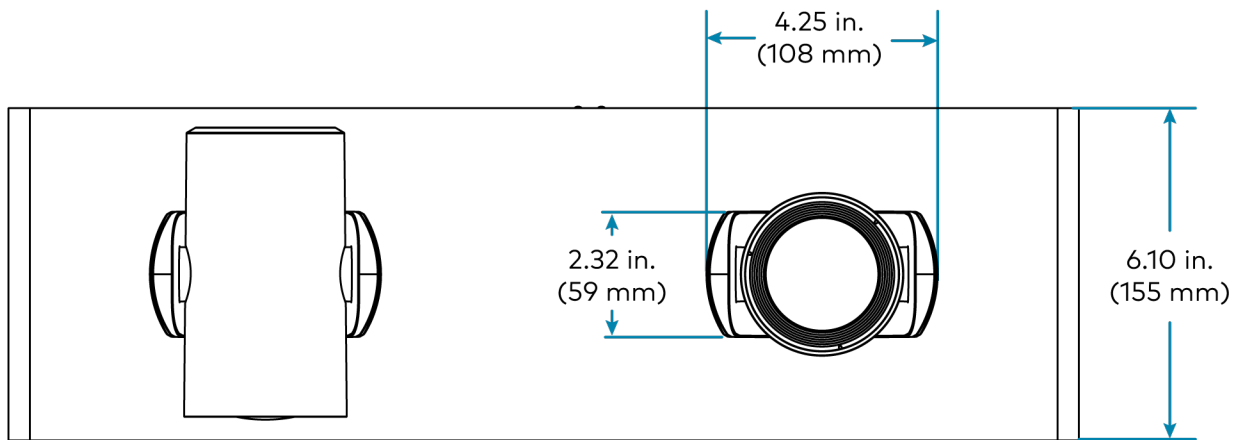
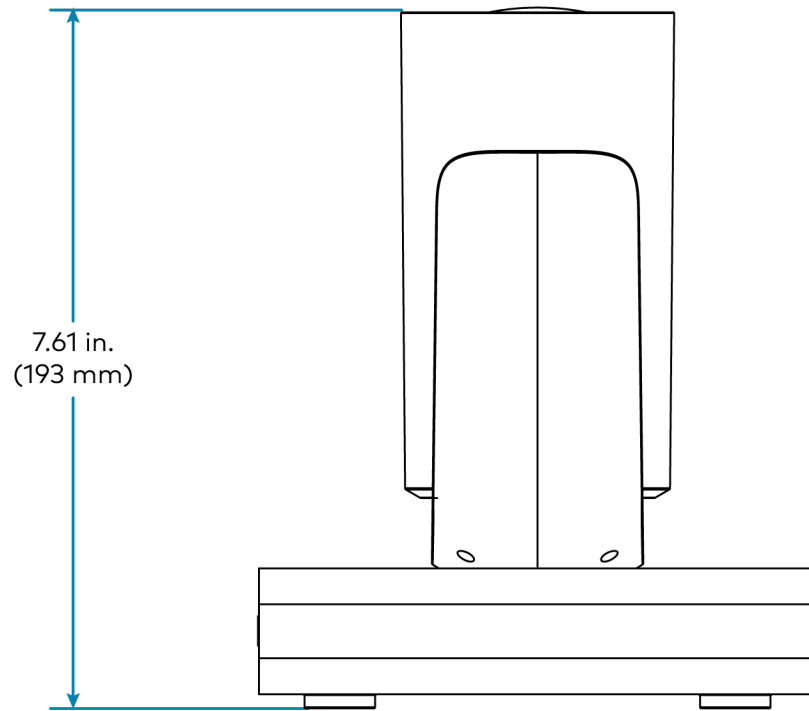
# IV-CAM-I12D-B

Crestron 1 Beyond i12D Intelligent 4K Dual Camera Speaker Tracking Solution, 12x Optical Zoom, Moon Gray



# IV-CAM-I12D-B

Crestron 1 Beyond i12D Intelligent 4K Dual Camera Speaker Tracking Solution, 12x Optical Zoom, Moon Gray



# IV-CAM-I12D-B

Crestron 1 Beyond i12D Intelligent 4K Dual Camera Speaker Tracking Solution, 12x Optical Zoom, Moon Gray

