

DigitalMedia 8G+® 4K60 4:4:4 HDR Receiver and Room Controller

The Crestron® [DM-RMC-4KZ-100-C](#) is a DigitalMedia 8G+® receiver and room controller that supports full 4K60 4:4:4 and high dynamic range (HDR10) video signals. Via a CATx cable, the DM-RMC-4KZ-100-C connects to a DigitalMedia™ switcher or transmitter or to an HDBaseT® source. Connection to a display device is provided by a single HDMI® output. In addition, built-in RS-232, IR, and Ethernet control ports enable programmable control of the display device via a control system.



In the Box

- 1 DM-RMC-4KZ-100-C DigitalMedia 8G+ 4K60 4:4:4 HDR Receiver and Room Controller

Additional Items

- 1 Connector, 4-Pin (2003576)
- 1 Connector, 5-Pin (2003577)



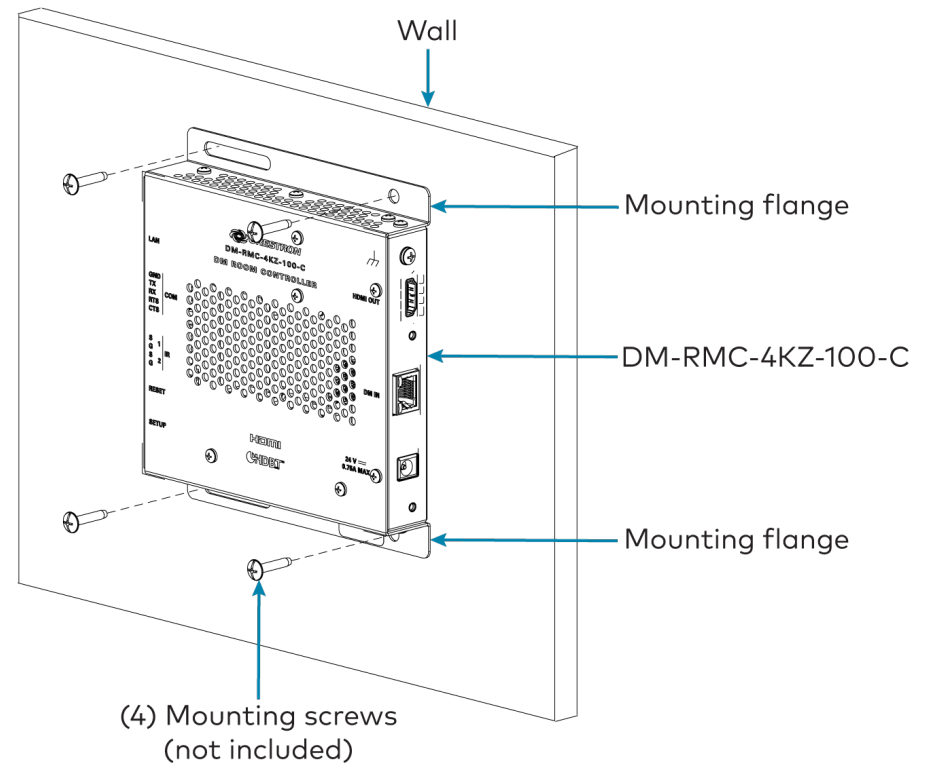
Install the Device

The DM-RMC-4KZ-100-C can be mounted onto a flat surface or rack rail.

Mounting onto a Flat Surface

Using four mounting screws (not included), mount the device onto a flat surface such as a wall.

Wall Mounting



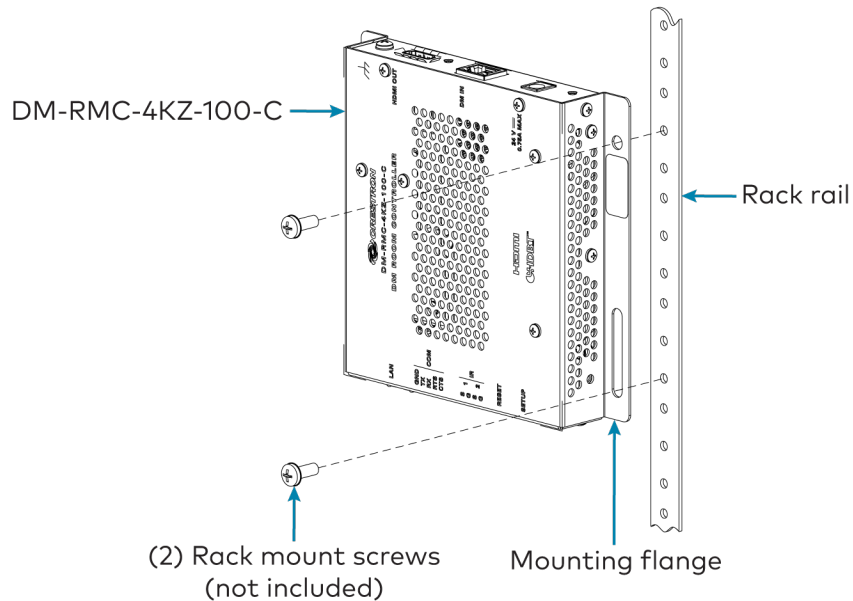
DigitalMedia 8G+® 4K60 4:4:4 HDR Receiver and Room Controller

Mounting onto a Rack Rail

The device can be mounted onto a front or rear rack rail. To mount the device:

1. Position either of the mounting flanges so that the holes align with the holes in the rack rail.
2. Secure the device to the rack rail using two rack mount screws (not included).

Rack Rail Mounting Example



Connect the Device

Connect the device as required for the application.

NOTES:

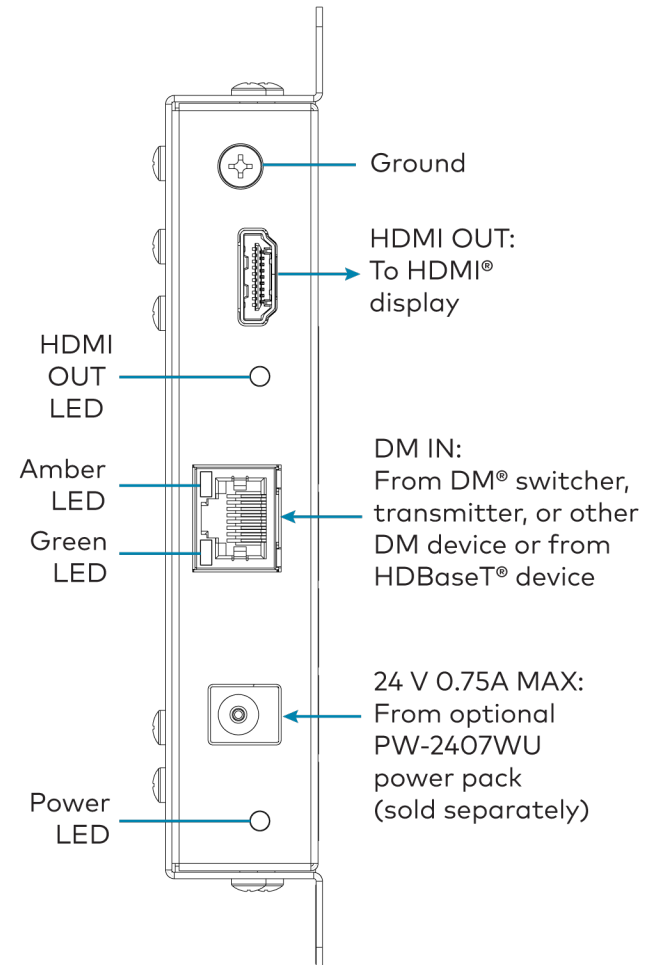
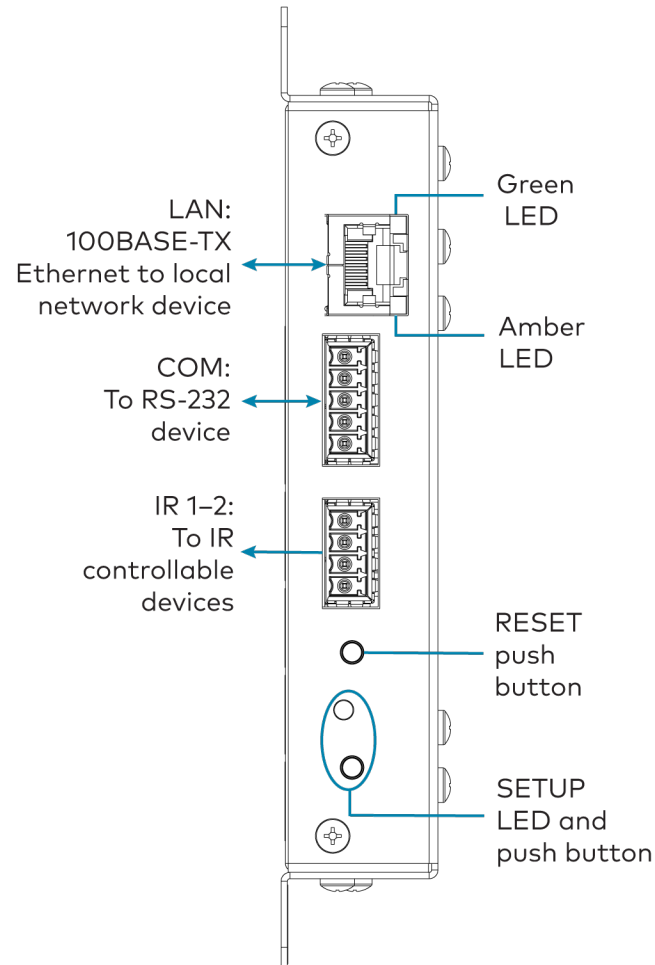
- The LAN port can be connected to an Ethernet switch only when the DM IN port does not connect to a DigitalMedia switcher.
- The DM IN port is a PoDM powered device (PD) port and is also compatible with HDBaseT PoE:
 - In order for the DM IN port to receive PoDM, the port must be connected to a DigitalMedia switcher or other DigitalMedia equipment that has a PoDM power sourcing equipment (PSE) port.
 - In order for the DM IN port to receive HDBaseT PoE, the port must be connected to equipment that has a corresponding HDBaseT PoE PSE port.

Wiring that connects to a PoDM or HDBaseT PoE port is designed for intrabuilding use only.

PoDM, HDBaseT PoE, or the optional [PW-2407WU](#) power pack (sold separately) can be used to power the DM-RMC-4KZ-100-C.

DigitalMedia 8G+® 4K60 4:4:4 HDR Receiver and Room Controller

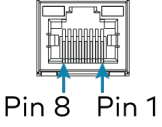
Connections, Left and Right Sides



DigitalMedia 8G+® 4K60 4:4:4 HDR Receiver and Room Controller

Refer to the following table for DM IN wiring information.

DM IN Wiring

	Pin Number	Wire Color
 Pin 8 Pin 1	1	Orange/White
	2	Orange
	3	Green/White
	4	Blue
	5	Blue/White
	6	Green
	7	Brown/White
	8	Brown

Upgrade the Firmware

Before using the device, upgrade the firmware. The latest firmware can be downloaded from the [DM-RMC-4KZ-100-C](#) product page on the Crestron website (www.crestron.com).



Determine the IP Address

The physical configuration of the DM-RMC-4KZ-100-C within a DigitalMedia 8G+ system determines how the IP address of the receiver is set:

- If the DM-RMC-4KZ-100-C is connected to a DigitalMedia switcher, the IP address is configured by the switcher automatically. You do not need to set the IP address.
- If the DM-RMC-4KZ-100-C is connected directly to a DigitalMedia 8G+ transmitter (commonly referred to as a standalone configuration in which no DigitalMedia switcher is used), the IP address of the receiver is assigned using DHCP (Dynamic Host Configuration Protocol) by default. If you wish to assign a static IP address, do either of the following:
 - To assign the default static IP address of the receiver, hold down the SETUP button while the unit boots up. The default static IP address, which is 192.168.1.250, overwrites the current setting.
 - To manually set a static IP address other than the default address, use the Crestron Toolbox™ software.

DigitalMedia 8G+® 4K60 4:4:4 HDR Receiver and Room Controller



Observe the LED Indicators

Refer to the following table for information about the LED indicators on the device.

LED Indicator	Color	Meaning
LAN	Green	An Ethernet link is established.
	Flashing amber	Data activity is occurring on the Ethernet link.
SETUP	Red	The SETUP button is pressed.
Power	Green	Power is being applied to the device.
DM IN	Green	A DM or HDBaseT link is established.
	Steady amber	HDCP video is detected.
	Flashing amber	Non-HDCP video is detected.
HDMI	Green	An HDMI signal is detected.



Visit the Product Page

Scan the QR code to visit the product page.

DM-RMC-4KZ-100-C



www.crestron.com/model/6508077

Additional Information

Original Instructions

The U.S. English version of this document is the original instructions. All other languages are a translation of the original instructions.

Crestron product development software is licensed to Crestron dealers and Crestron Service Providers (CSPs) under a limited nonexclusive, nontransferable Software Development Tools License Agreement. Crestron product operating system software is licensed to Crestron dealers, CSPs, and end-users under a separate End-User License Agreement. Both of these Agreements can be found on the Crestron website at www.crestron.com/legal/software_license_agreement.

The product warranty can be found at www.crestron.com/warranty.

The specific patents that cover Crestron products are listed at www.crestron.com/legal/patents.

Certain Crestron products contain open source software. For specific information, visit www.crestron.com/opensource.

Crestron, the Crestron logo, Crestron Toolbox, DigitalMedia, DigitalMedia 8G+, and DM are either trademarks or registered trademarks of Crestron Electronics, Inc. in the United States and/or other countries. HDBaseT and the HDBaseT Alliance logo are either trademarks or registered trademarks of the HDBaseT Alliance in the United States and/or other countries. HDMI and the HDMI logo are either trademarks or registered trademarks of HDMI Licensing LLC in the United States and/or other countries. Other trademarks, registered trademarks, and trade names may be used in this document to refer to either the entities claiming the marks and names or their products. Crestron disclaims any proprietary interest in the marks and names of others. Crestron is not responsible for errors in typography or photography.

HDMI

©2020 Crestron Electronics, Inc.

Doc. 7938C

04/13/20