

UC-M70-NC-Z

Crestron Flex Tabletop Large Room Conference System for Zoom Rooms® Software



- *Tabletop conferencing solution for Zoom Rooms® software*
- *Native Zoom Rooms® touch screen UI provides a consistent, simple user experience with one-touch meeting joins*
- *Complete kit contains a Crestron Flex tabletop conference device, UC bracket assembly, microphone pod, power supply, and cables — just add a display and mount*
- *Easy to specify and install — no custom design, programming, or software installation required*
- *Network management and provisioning and system alerts through the XiO Cloud® service*
- *Premium-level support with Crestron Flex Care (optional)*
- *Enterprise-grade security - connects and communicates securely over any enterprise or SMB (Server Message Block) network*
- *Supports single or dual video displays (not included)*

The UC-M70-NC-Z Crestron Flex tabletop conferencing system provides a large room conference solution for use with Zoom Rooms® software. It supports single or dual video displays¹ (not included) and features a Crestron Flex tabletop conference device, UC bracket assembly, microphone pod, power supply, and cables.

Native Zoom Rooms® Software Experience

The UC-M70-NC-Z system features Zoom Rooms conferencing software that enables audio and video connectivity for easy collaboration and content sharing.

Intuitive User Interface with Impressive Audio

With a large 7 in. HD color touch screen and an integrated AEC-enabled USB speakerphone that affords full-duplex wideband audio performance, the Crestron Flex Tabletop Conference device (CCS-UC-1) provides a superior conferencing and collaboration experience for meeting rooms, huddle spaces, and executive offices.

Simplified Deployment

To simplify installation, the UC Bracket Assembly provides preassembled components on one ready-to-mount bracket.

The bracket comes supplied with either a HD-CONV-USB 200 or HD-CONV-USB-300 convertor. The assembly can be mounted on a wall, or it can be attached to the rear of the display device.

High-Definition Video Conferencing

High-definition video conferencing can be achieved by utilizing Zoom Rooms certified third-party cameras.

Enterprise-Grade Security

Crestron Flex is an enterprise-grade solution that is ideally equipped for mass deployment throughout any sized corporate, university, medical, military, or government facility.

Easy Provisioning and Device Management

The XiO Cloud® service is an IoT cloud-based provisioning service (available separately) that enables installers and IT managers to easily deploy and manage thousands of devices. The XiO Cloud service provides system alerts, network management and provisioning, and the pairing of a control device to the system's UC Engine. System updates are controlled by Windows® software update.

Visit www.crestron.com/xiocloud for additional information.

Premium-Level Support

Crestron Flex Care is an optional subscription service that automatically renews annually, providing 24/7 live remote technical support, an extended five year warranty on Crestron® branded hardware, expedited advance replacements, and a discounted rate for onsite support.

Visit www.crestron.com/flexcare for detailed terms and conditions and additional information.

Deployment Resources

View the [Crestron Flex Pre-Deployment Checklist](#) to help plan your Crestron Flex installation.

Specifications

Included Components

| | |
|----------|---|
| CCS-UC-1 | Crestron Flex tabletop conferencing device: <ul style="list-style-type: none">• Cable, CAT5e, RJ-45-to-RJ-45, 12 ft (3.66 m);• Cable management hardware |
|----------|---|

UC-M70-NC-Z

Crestron Flex Tabletop Large Room Conference System for Zoom Rooms® Software

UC-BRKT-200-S-Z-ASSY UC Bracket Assembly comprised of:

- UC Engine: Mini PC with Zoom Rooms video
- HDMI® to USB 3.0 converter for content ingest
- Mounting hardware

[CCS-UCA-MIC](#)

[CBL-4K-DP-HD-6](#)

[CBL-CAT5E-7](#)

[CBL-HD-6](#)

[CBL-HD-20](#)

[CBL-USB-A-BMICRO-6](#)

[CBL-USB-A-EXT-15](#)

[PW-2420RU](#)

Extension microphone pod

DisplayPort™ to HDMI Cable, 6 ft (1.8 m); secondary display

Ethernet LAN cable for UC Engine, RJ-45-to-RJ-45, black, 7 ft (2.1 m)

HDMI Interface Cable, 6 ft (1.8 m); primary display

HDMI Interface Cable, 20 ft (6.1 m); content sharing

USB Cable, USB Type A Male to Micro-B Male cable, 6 ft (1.8 m)

USB Extension Cable, USB Type A Male-to-Female, 15 ft (4.6 m)

Universal power supply and power cord

Ethernet

Dual-port 100 Mbps, auto-switching, auto-negotiating, auto-discovery, full/half duplex, DHCP, TCP/IP, UDP/IP, CIP, SSL, TLS, SSH, SFTP (SSH File Transfer Protocol), SRTP, IEEE 802.1X, Active Directory® authentication, LDAP, Kerberos, digest access authentication, password login, HTTPS secure provisioning, XiO Cloud client, primary port is IEEE 802.3at Type 2 PoE+ compliant

USB

USB 2.0 micro Type B device port, supports UAC for audio interface to UC Engine (cable included)

Power Options

PoE+: IEEE 802.3at Type 2, Class 4 (25.5 W) PoE+ Powered Device

NOTE: If the additional mic pod (CCS-UCA-MIC) is used, PoE+ cannot be used to power the device.

24VDC: 24VDC via external 100-240VAC, 50/60 Hz power pack, model [PW-2420RU](#)

Dimensions

Height: 4.11 in. (104 mm)
Width: 8.92 in. (227 mm)
Depth: 12.74 in. (324 mm)

Weight

5.5 lb (2.5 kg)

Crestron Flex Tabletop Conferencing Device

| | |
|--------------------------------------|--|
| Touch Screen | 7 in. (178 mm) diagonal capacitive multi-touch TFT active matrix color LCD, 1280 x 800 pixels |
| UI | Zoom Rooms UI |
| Mic Mute Symbol and Light Bar | (2) Capacitive buttons with bi-color LEDs, either button toggles between mute and unmute |
| AEC | Limes Audio TrueVoice® acoustic echo cancellation, automatic mic mixing, automatic gain control, and dynamic noise reduction, full-duplex IEEE 1329 Type 1 compliant |
| Speaker | Full range speaker; Amplifier Power: 11 W; 95 dB SPL at 0.5 m maximum output; Frequency Response: 90 Hz to 22 kHz |
| Microphones | 360° quad mic array; Pickup Range (typical): 20 ft (6 m) |
| Extension Microphones | Supports two mic pods, model CCS-UCA-MIC (sold separately) |
| Occupancy Sensor | 6 ft (1.83 m) PIR range in front of touch screen |

Microphone Pod

| | |
|-----------------------|--|
| Model | CCS-UCA-MIC |
| Communications | A2B bus protocol, slave, synchronous data, multichannel I2S/TDM to I2S/TDM |
| Microphone | Triple mic array with (3) cardioid electret elements |
| Pickup Range | 20 ft (6 m) typical, 360° |
| Mic Mute | (1) Capacitive button with bi-color LED, toggles between mute and unmute (affects all system mics) |
| Connectors | (2) RJ9 4P4C connector, female |
| Power | Powered via the CCS-UC-1 through the A2B bus |
| Dimensions | Height: 0.97 in (25 mm) Width: 3.81 in (97 mm) Depth: 3.42 in (87 mm) |

UC Bracket Assembly

| | |
|------------------|--|
| UC Engine | Mini PC, Intel Core® processor with Windows® 11 IoT Edition OS and 100/1000 Mbps Ethernet connectivity |
|------------------|--|

UC-M70-NC-Z

Crestron Flex Tabletop Large Room Conference System for Zoom Rooms® Software

| | |
|----------------------------------|--|
| UC Client | Zoom Rooms software |
| Management Client | XiO Cloud Service |
| Content Ingest | HDMI input via HDMI to USB 3.0 converter |
| Display Output | Single or dual displays support ¹ |
| Display Output Resolution | 1080p |
| Power | 100-240VAC, 50/60 Hz adapter (included) |
| Construction | Metal mounting bracket, black, preassembled with UC Engine and HDMI to USB 3.0 converter |
| Mounting | Surface wall mount behind the display device, or attach to the rear of the display device via the bolts attaching the display to a VESA® compliant display mount; Bracket includes mounting holes on both side edges, spaced 100, 200, and 300 mm vertically, to allow for attachment to either side of the display mounting plate |
| Dimensions | Height: 15.00 in. (381 mm) Width: 14.50 in. (368 mm) Depth: 1.87 in. (48 mm) (UC Bracket Assembly with HD-CONV-USB-200) 1.93 in. (49 mm) (UC Bracket Assembly with HD-CONV-USB-300) |
| Weight | 7.7 lb (3.5 kg) (UC Bracket Assembly with HD-CONV-USB-200) 7.95 lb (3.6 kg) (UC Bracket Assembly with HD-CONV-USB-300) |

Model

UC-M70-NC-Z

Crestron Flex Tabletop Large Room Conference System for Zoom Rooms® Software

Available Accessories

For a list of available accessories, visit the [UC-M70-NC-Z](#) product page.

Notes:

1. Display must support "Wake on Sync" and "Sleep on No Sync" functionality. Consult the display manufacturer's specifications or internal settings of the specific display.

This product may be purchased from select authorized Crestron dealers and distributors. To find a dealer or distributor, please contact the Crestron sales representative for your area. A list of sales representatives is available online at www.crestron.com/How-To-Buy/Find-a-Representative or contact us for additional information by visiting <https://www.crestron.com/contact/our-locations> for your local contact.

This product is covered under the Crestron standard limited warranty. Refer to www.crestron.com/warranty for full details.

The specific patents that cover Crestron products are listed online at patents.crestron.com.

Certain Crestron products contain open source software. For specific information, please visit www.crestron.com/opensource.

Crestron, the Crestron logo, and XiO Cloud are either trademarks or registered trademarks of Crestron Electronics, Inc. in the United States and/or other countries. TrueVoice is either a trademark or registered trademark of Google Inc. in the United States and/or other countries. HDMI is either a trademark or registered trademark of HDMI Licensing LLC in the United States and/or other countries. Intel Core is either a trademark or registered trademark of Intel Corporation in the United States or other countries. Active Directory and Windows are either trademarks or registered trademarks of Microsoft Corporation in the United States and/or other countries. USB-C is either a trademark or registered trademark of USB Implementers Forum, Inc. in the United States and/or other countries. DisplayPort and VESA are either trademarks or registered trademarks of Video Electronics Standards Association in the United States and/or other countries. Zoom Rooms is either a trademark or registered trademark of Zoom Video Communications, Inc. in the United States and/or other countries. Other trademarks, registered trademarks, and trade names may be used in this document to refer to either the entities claiming the marks and names or their products. Crestron disclaims any proprietary interest in the marks and names of others. Crestron is not responsible for errors in typography or photography.

Specifications are subject to change without notice.

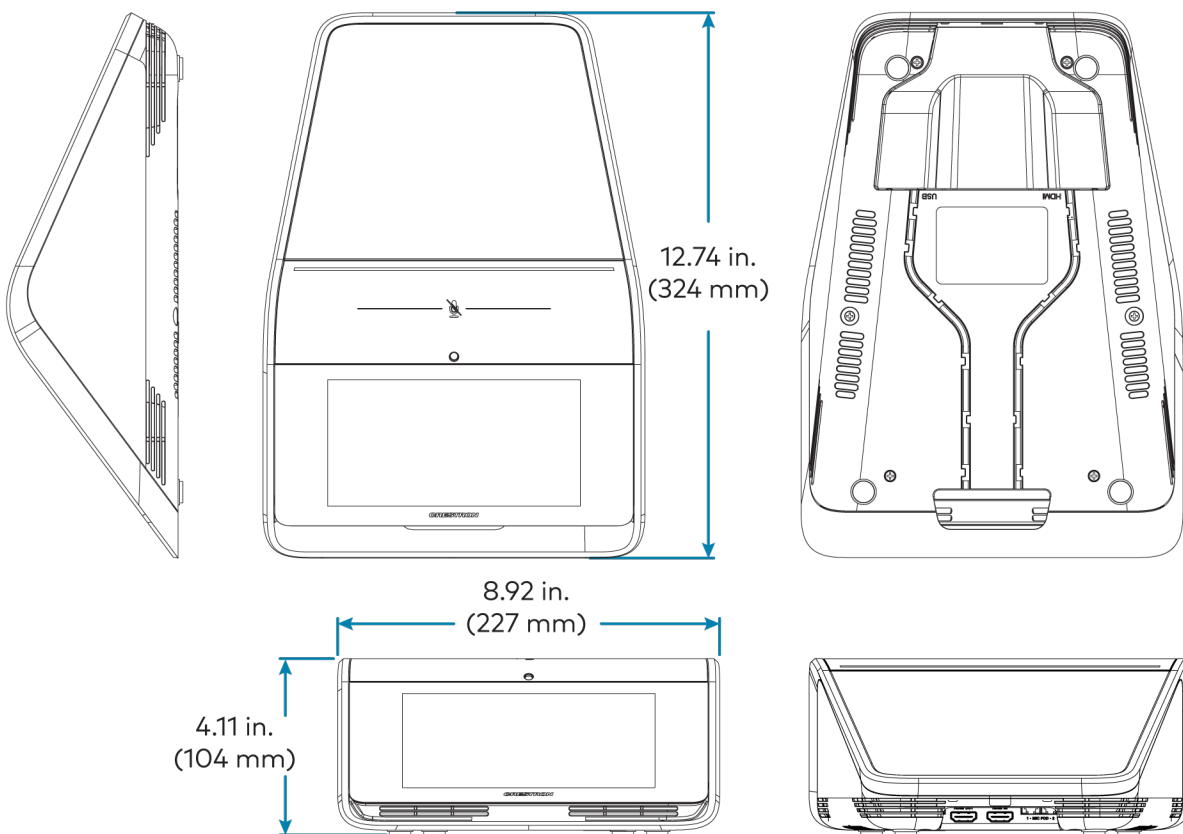
©2024 Crestron Electronics, Inc.

Rev 09/16/25

UC-M70-NC-Z

Crestron Flex Tabletop Large Room Conference System for Zoom Rooms® Software

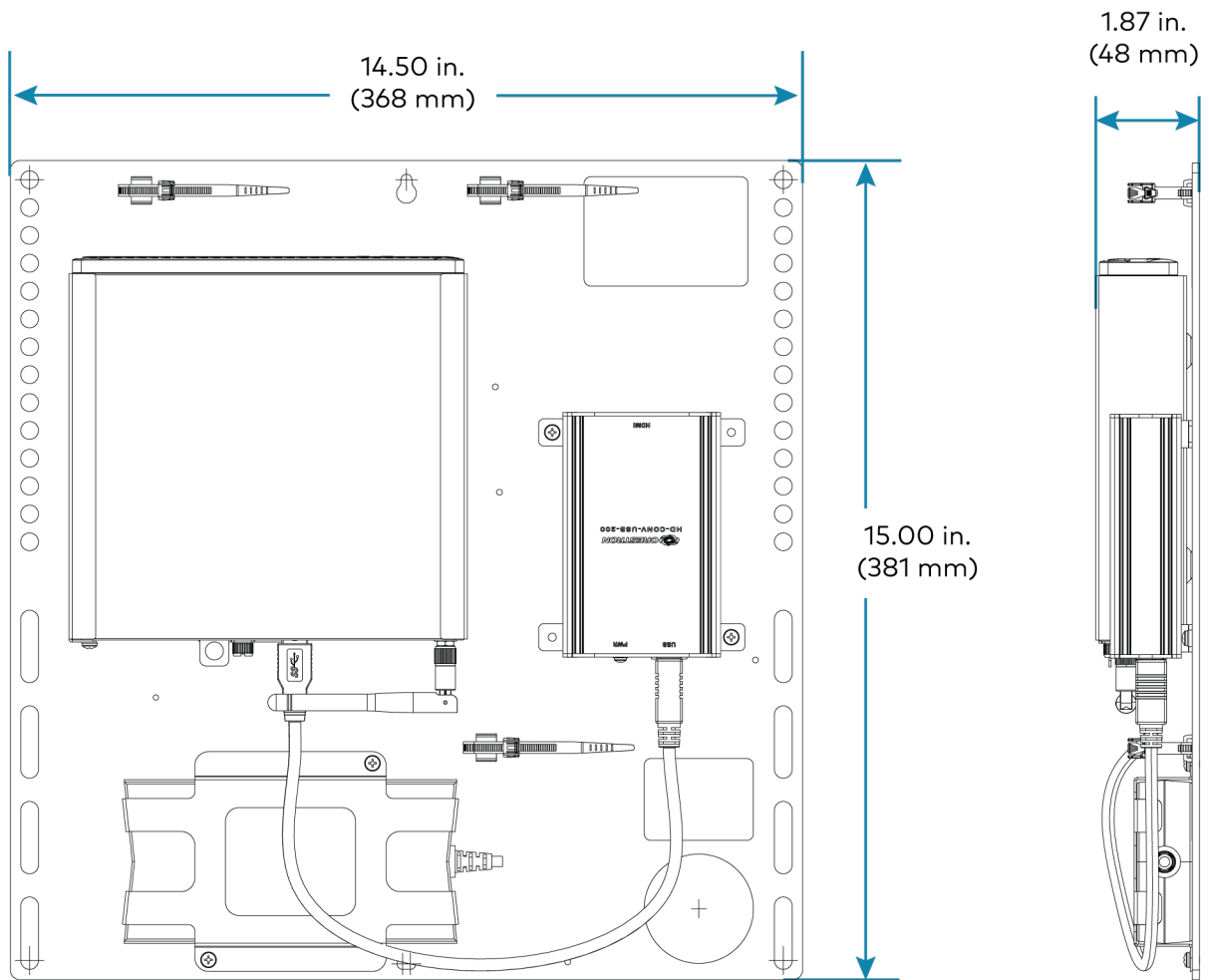
Crestron Flex Tabletop Conference Device (CCS-UC-1)



UC-M70-NC-Z

Crestron Flex Tabletop Large Room Conference System for Zoom Rooms® Software

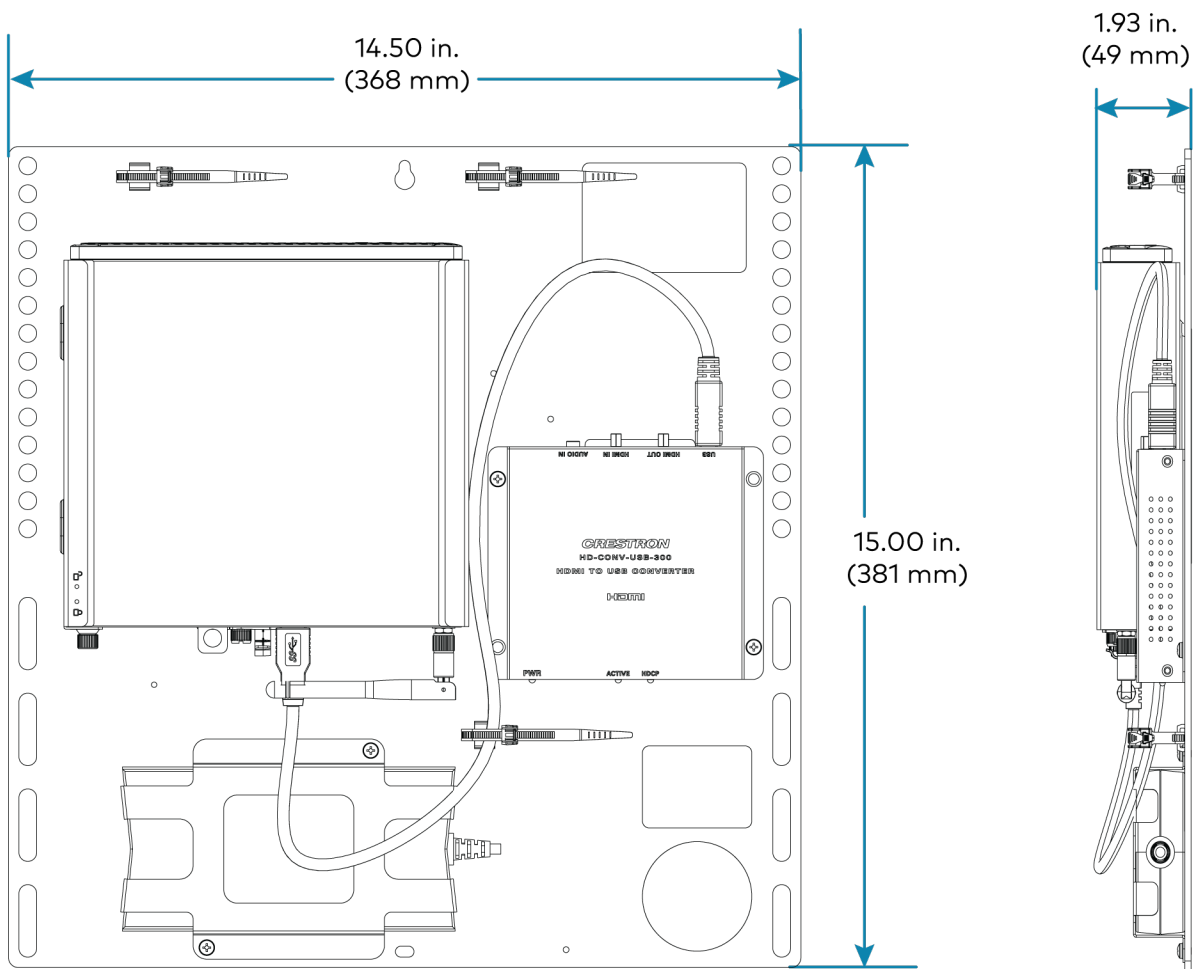
UC Bracket Assembly with HD-CONV-USB-200



UC-M70-NC-Z

Crestron Flex Tabletop Large Room Conference System for Zoom Rooms® Software

UC Bracket Assembly with HD-CONV-USB-300



UC-M70-NC-Z

Crestron Flex Tabletop Large Room Conference System for Zoom Rooms® Software

Mic Pod (CCS-UCA-MIC)

