



View this document in HTML
crestron.com/docs/9535



Product Manual

TT-100-B-T

Crestron Connect It™ Cable Caddy
w/120V Outlet, No Cables, Black
Textured

Have feedback on this document? Contact docfeedback@crestron.com.

The original language version of this document is U.S. English.
All other languages are a translation of the original document.

Regulatory Model:

Crestron product development software is licensed to Crestron dealers and Crestron Service Providers (CSPs) under a limited nonexclusive, nontransferable Software Development Tools License Agreement. Crestron product operating system software is licensed to Crestron dealers, CSPs, and end-users under a separate End-User License Agreement. Both of these Agreements can be found on the Crestron website at www.crestron.com/legal/software_license_agreement.

The product warranty can be found at www.crestron.com/warranty.

The specific patents that cover Crestron products are listed online at www.crestron.com/legal/patents.

Certain Crestron products contain open source software. For specific information, please visit www.crestron.com/opensource.

Crestron, the Crestron logo, 3-Series, Cresnet, Crestron Connect It, and DigitalMedia are either trademarks or registered trademarks of Crestron Electronics, Inc. in the United States and/or other countries. HDMI is either a trademark or registered trademark of HDMI Licensing LLC in the United States and/or other countries. UL is either a trademark or registered trademark of Underwriters Laboratories, Inc. in the United States and/or other countries. USB-C and is either a trademark or registered trademark of USB Implementers Forum, Inc. in the United States and/or other countries. DisplayPort is either a trademark or registered trademark of Video Electronics Standards Association in the United States and/or other countries. Other trademarks, registered trademarks, and trade names may be used in this document to refer to either the entities claiming the marks and names or their products. Crestron disclaims any proprietary interest in the marks and names of others. Crestron is not responsible for errors in typography or photography.

©2025 Crestron Electronics, Inc.

Contents

- TT-100-B-T** **1**
- Features 2
- Switching Between Presenters 2
- Multiple Connections 3
- Simple Installation 3
- Applications 3
- Laptop USB-C® DisplayPort® Video with PSU-MIDSPAN-USB-1 3
- Multiple Video Sources with Multi-Input DM® Transmitter 3
- Multiple Video Sources with Presentation System 4
- Specifications** **6**
- Product Specifications 6
- Dimension Drawings 8
- Installation** **9**
- In the Box 9
- Install the Cable Caddy 9
- Connect the Device 12
- Observe the Indicators 14
- Resources** **16**
- Crestron Support and Training 16
- Programmer and Developer Resources 16
- Product Certificates 16
- Related Documentation 16

TT-100-B-T

The [TT-100-B-T](#) is a cost-effective, simple to use tabletop presentation interface offering connectivity and one-touch control in a compact, stylish device that's easy to install.

Use the tiles below or the navigation menu to browse for a topic. Alternatively, enter a search term into the search bar.

This section provides the following information:

- [Features](#)
- [Applications](#)

Features

Using a Crestron Connect It™ Cable Caddy, anyone can easily connect their laptop, tablet, or smartphone device and instantly start presenting. Multiple cable caddies can be deployed across any sized table to enable natural, free-flowing collaboration amongst several participants in a huddle room, conference room, council chamber, or training lab. Simple one-touch control at each cable caddy makes toggling between sources effortless.

Key features include:

- Simple-to-use tabletop presentation interface
- Soft-touch capacitive buttons with multicolored status indicators
- Recessed cable storage compartment
- 120VAC power outlet
- Compact and easy to install
- Integrates with control systems and AV signal extender endpoints



Switching Between Presenters

Starting a presentation and switching between presenters is easy and intuitive. Simply connect a source and the room display automatically turns on and displays that source. Another presenter can take over the presentation from an additional cable caddy via the soft-touch capacitive buttons. Multicolored lights surrounding each button indicate when a source is connected, ready, and being displayed.

Multiple Connections

The Crestron Connect It Cable Caddy provides four pass-through openings for easy pull-out interface cables such as HDMI®, USB, Audio, and Ethernet (not included).

Simple Installation

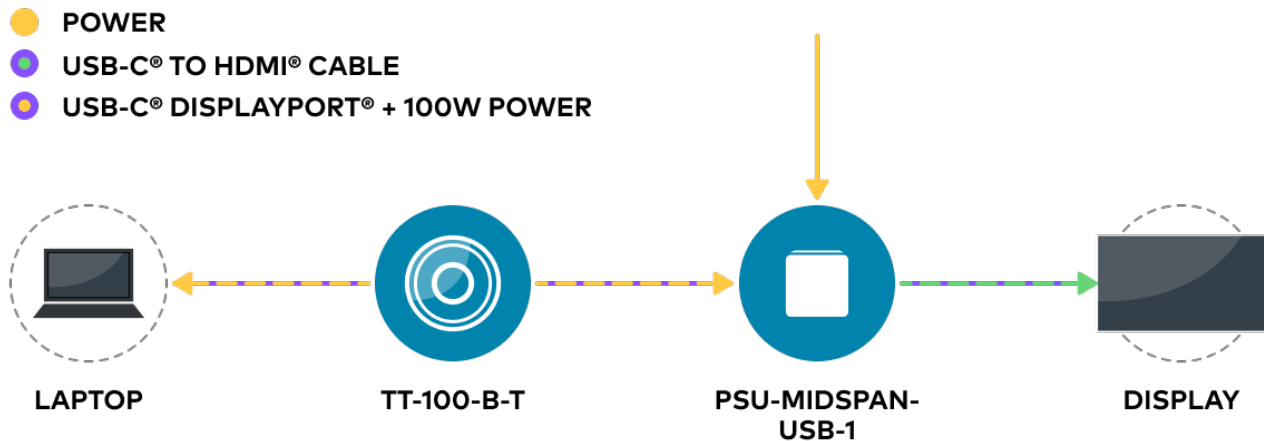
Mounting the cable caddy only requires a 4 in. (102 mm) round hole through the tabletop surface. The caddy is secured in place with a single twist-on locking ring, which features three lock-down screws to prevent the device from coming loose.

Applications

The following scenarios are example applications for the TT-100-B-T.

Laptop USB-C® DisplayPort® Video with PSU-MIDSPAN-USB-1

The [PSU-MIDSPAN-USB-1-C KIT](#) is a single point, midspan power injector that provides data and video pass-through for a USB-C® device. When used in conjunction with the TT-100-B-T, the midspan injects power into the USB-C DisplayPort® video output from a laptop, charging the laptop while it passes video signal to a downstream display.



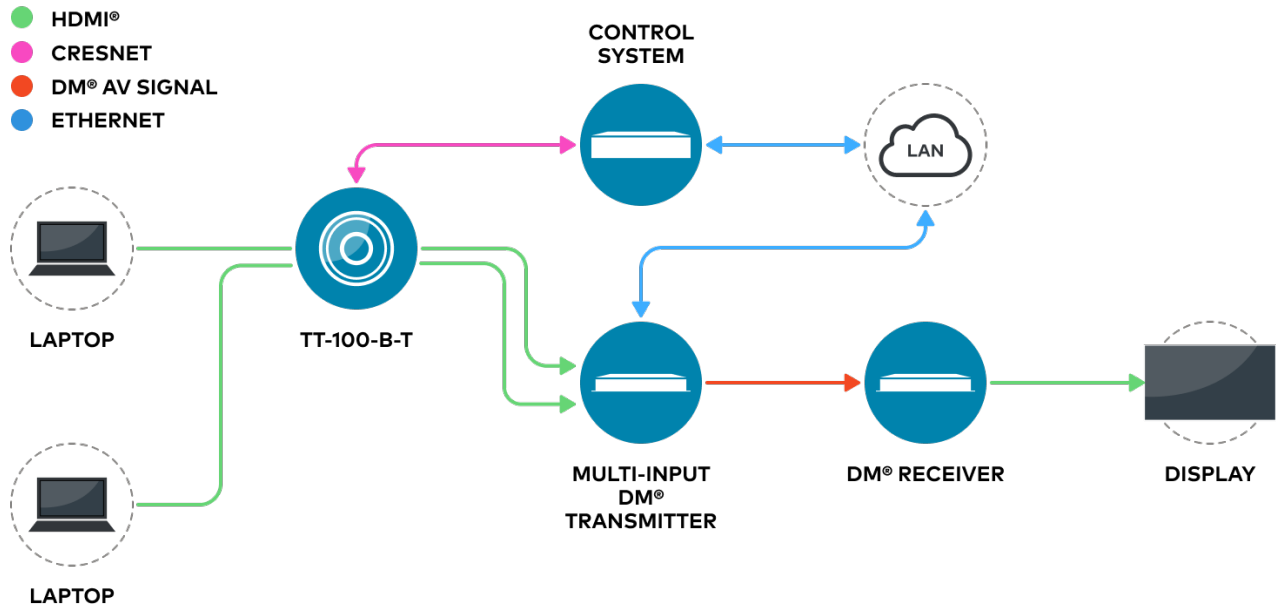
Multiple Video Sources with Multi-Input DM® Transmitter

Connecting a TT-100-B-T cable caddy to a control system via a Cresnet® control network allows the capacitive buttons on the TT-100-B-T to switch inputs on a multi-input DM® transmitter.

- The HDMI® video signal from each presenter's laptop is passed through the TT-100-B-T to the DM transmitter.

- The TT-100-B-T cable caddy and the control system are connected to a Cresnet control network.
- The control system and the DM transmitter are connected to a LAN.
- A custom program running on the control system instructs the DM transmitter to switch inputs whenever the TT-100-B-T capacitive buttons are pressed.

NOTE: Without a control system, input switching can still occur via video sync detection. However, this may require disconnecting and reconnecting cables if presenters wish to switch back and forth between each other's content. Using a custom program eliminates the need to disconnect cables during a presentation.

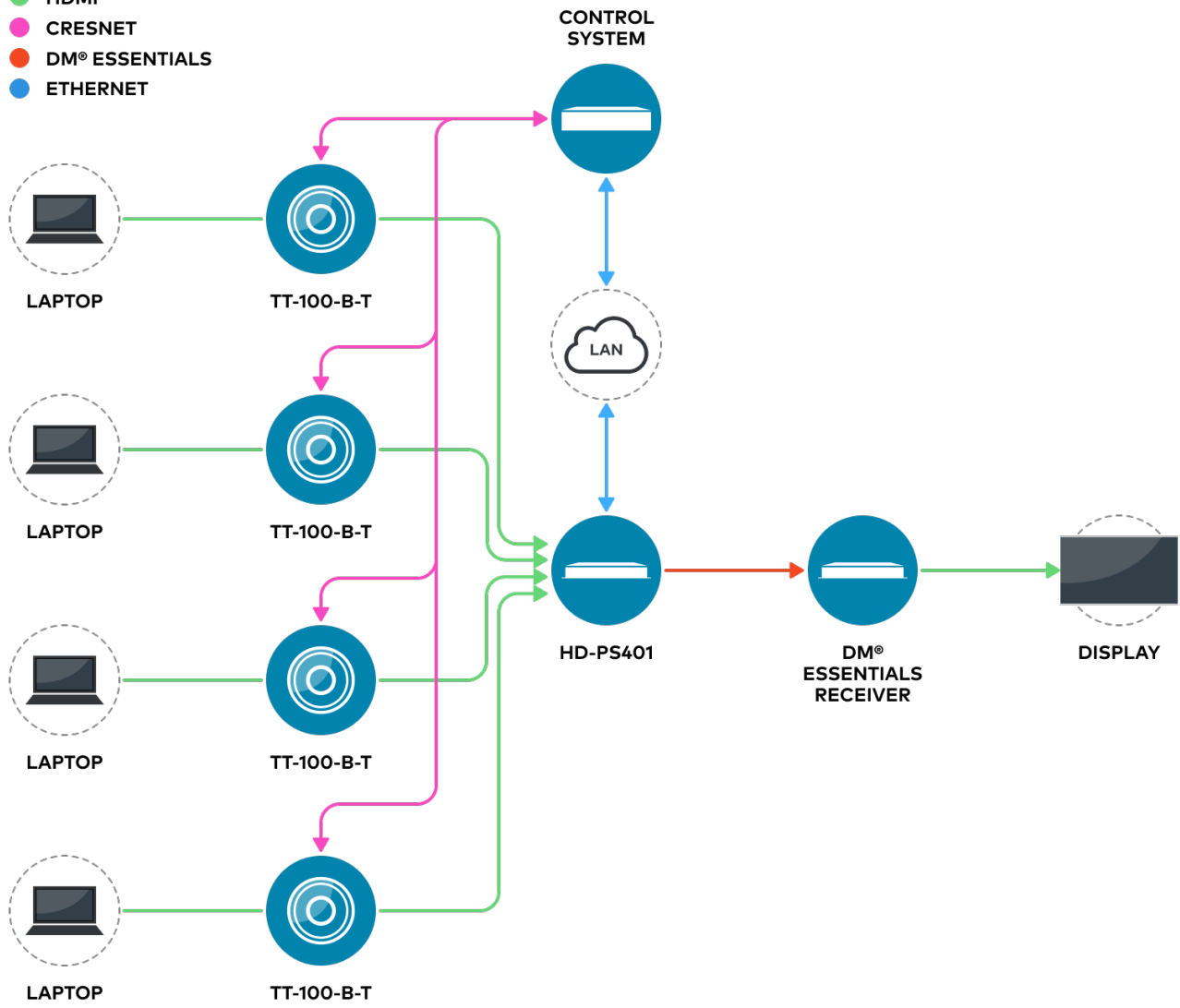


Multiple Video Sources with Presentation System

Connecting multiple TT-100-B-T cable caddies to a control system via a Cresnet® control network allows the capacitive buttons on the TT-100-B-T to switch inputs on a presentation system such as the [HD-PS401](#).

- The HDMI® video signal from each presenter's laptop is passed through the TT-100-B-T to the presentation system.
- The TT-100-B-T cable caddies and the control system are connected to a Cresnet control network.
- The control system and the presentation system are connected to a LAN.
- A custom program running on the control system instructs the presentation system to switch inputs whenever the TT-100-B-T capacitive buttons are pressed.

- HDMI®
- CRESNET
- DM® ESSENTIALS
- ETHERNET



Specifications

Product specifications for the TT-100-B-T are provided below.

Product Specifications

Controls & Indicators

Connect It Buttons	(2) Soft-touch capacitive buttons; Press either button to select the connected video source for viewing on a display device
Connect It Indicators	(2) Multicolored LED indicators; Blue (solid) indicates no video source is connected; Green (blinking) indicates a video source is connected and the display device is powering up; Green (solid) indicates the connected video source is selected for viewing on the display device; Green (slow pulse) indicates a video source is connected but not currently selected for viewing; Red (blinks 5 times) indicates one of the Connect It buttons has been pressed but no video source is connected

NOTE: Full Connect It functionality requires a control system connection.

Communications

Cresnet® Control	Cresnet secondary mode
-------------------------	------------------------

Connections - Top

Cable Storage Compartment	Provides pass-through holes for up to four cables (cables not included)
AC Power Outlet	(1) NEMA 5-15R grounded AC power receptacle; Maximum Load: 10A @ 125VAC, 50/60 Hz

Connections - Bottom

NET	(1) 4-pin 3.5 mm detachable terminal block; Cresnet secondary port
USB	Deprecated
Utility Power	(1) 9 ft (2.7 m) AC line cord with NEMA 5-15P grounded plug; Passes through to front panel AC power outlet

Power Requirements

Cresnet Power Usage	1.2W (0.05A @ 24VDC)
Utility Power	10A @ 120VAC, 50/60 Hz

Environmental

Temperature	32° to 112°F (0° to 45°C)
Humidity	10% to 90% RH (noncondensing)
Heat Dissipation	<0.05 BTU/hr

Construction

Housing	Plastic
Mounting	Flush tabletop mount in a 4 in. (102 mm) round hole, 0.5 to 1.25 in. (13 to 32 mm) surface thickness

Dimensions

Height	3.23 in. (82 mm) total; 2.90 in. (74 mm) below table surface
Diameter	4.70 in. (120 mm) top bezel; 3.90 in. (99 mm) cable enclosure
Cable Pass-Through Diameters	(1) 0.50 in. (13 mm); (1) 0.37 in. (9 mm); (2) 0.30 in. (8 mm)

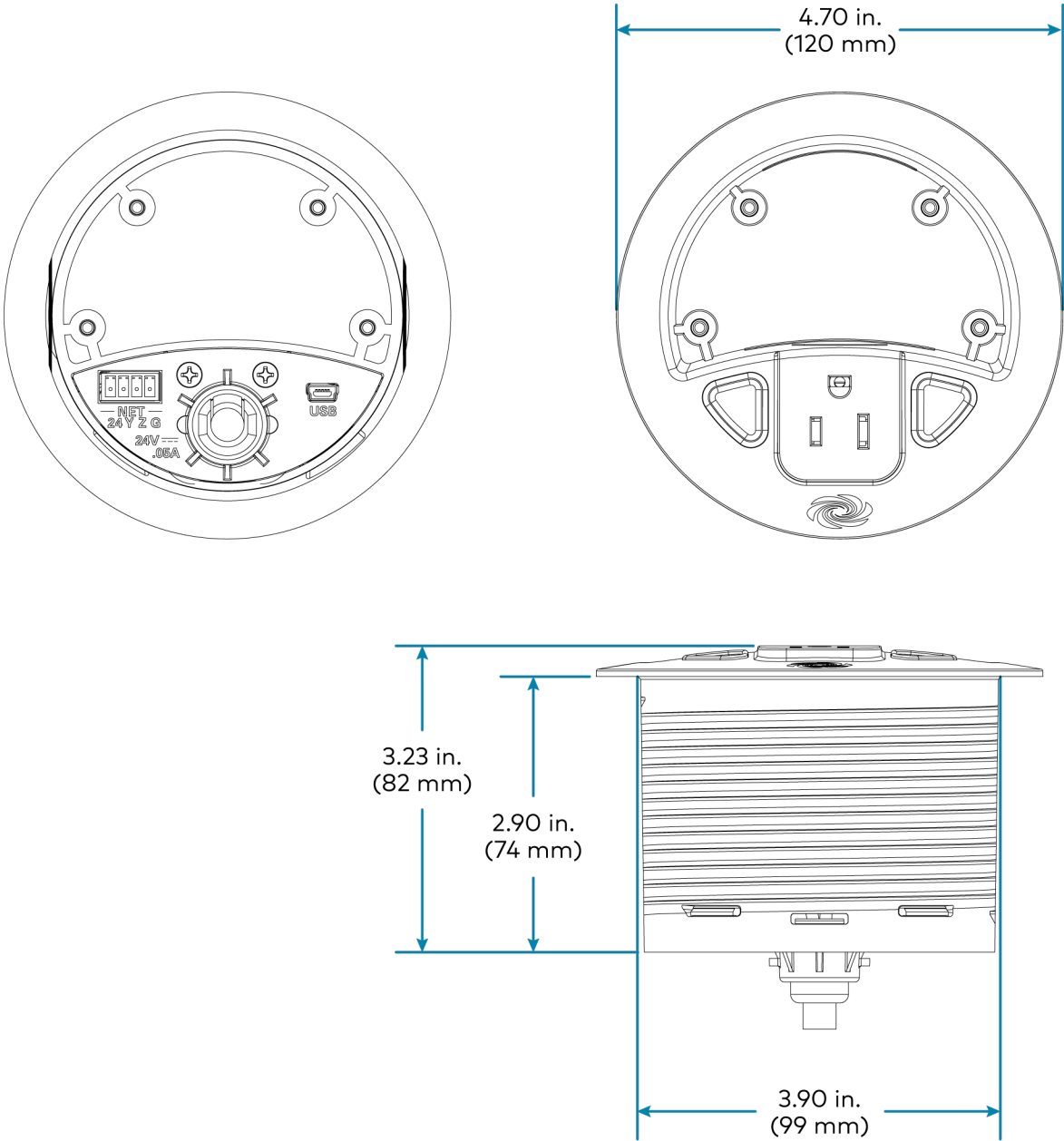
Weight

15.3 oz (433 g) without cables

Compliance

FCC Part 15 Class B, IC Class B, UL® Listed for US and Canada

Dimension Drawings



Installation

Use the following procedures to install the TT-100-B-T.

In the Box

Qty.	Description
1	TT-100-B-T, Crestron Connect It™ Cable Caddy
Additional Items	
1	Cable Plate
1	Locking Ring
1	Allen wrench, 3/32 in. (2036829)
4	Screw, 06-32, 1/4 in., black oxidized steel, pan-head Philips (2007215)
1	Connector, 4-pin (2003576)

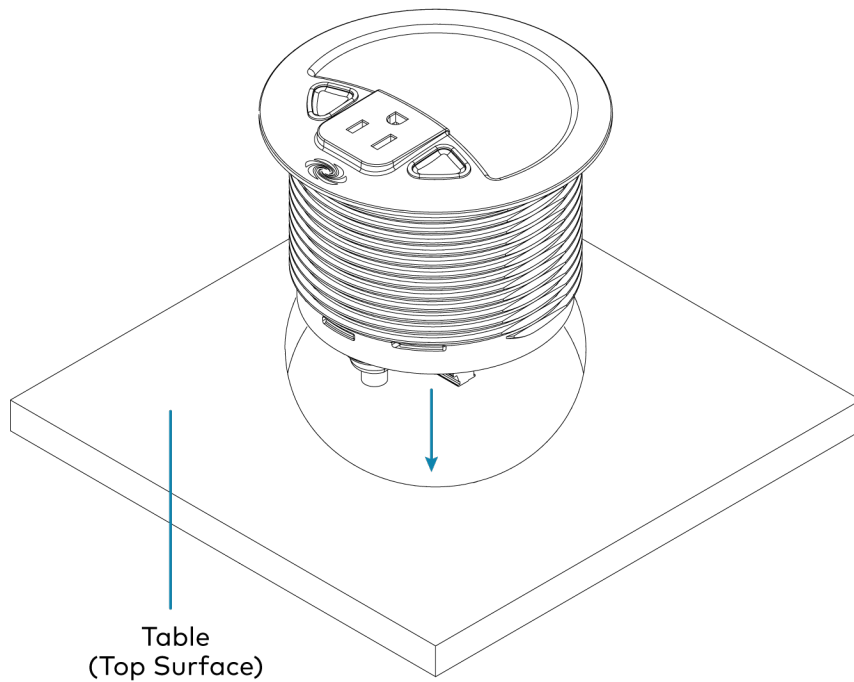
Install the Cable Caddy

The TT-100-B-T is designed for installation into a conference table between 0.5 in. (13 mm) and 1.25 in. (32 mm) in thickness.

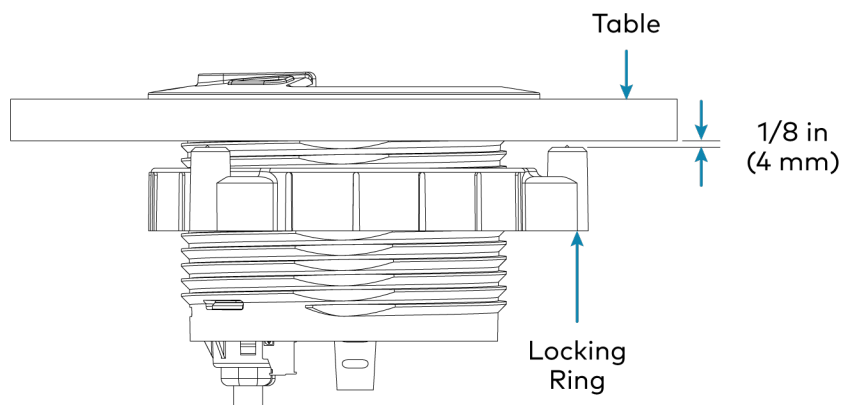
To install a TT-100-B-T:

1. Prepare proper protection for the surface of the table.
2. Use a 4 in. (102 mm) hole saw (not included) to drill a hole through the table at the desired location.

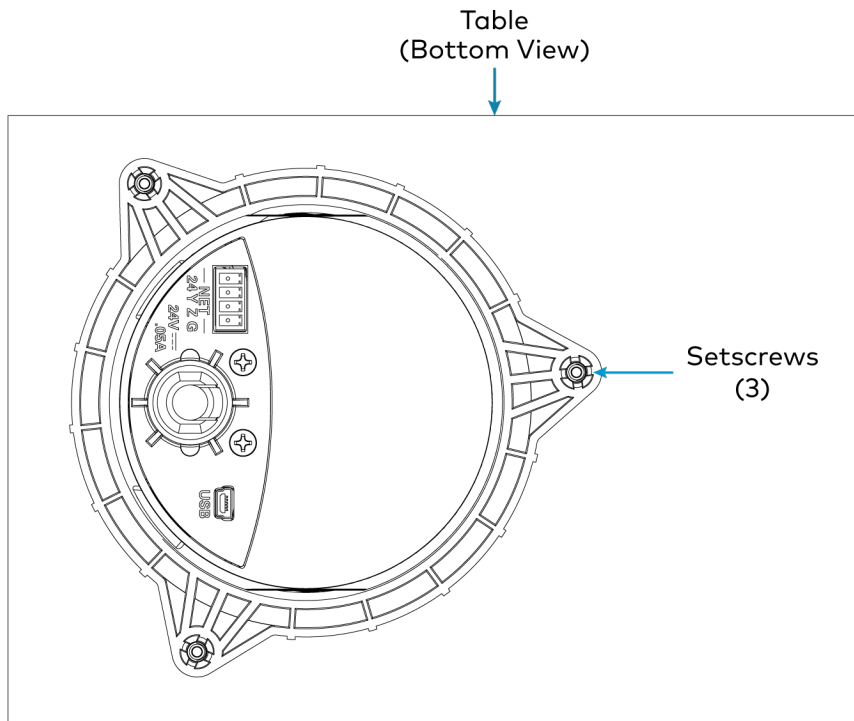
3. With the TT-100-B-T positioned with the Crestron® logo facing the device user, insert the body of the device into the hole.



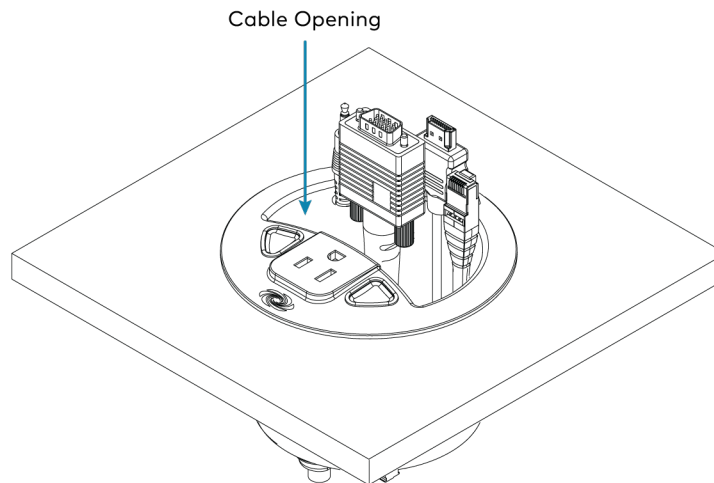
4. Twist the included locking ring onto the body of the TT-100-B-T from the underside of the table. Leave a 1/8 in. (4 mm) gap between the locking ring and the bottom surface of the table.



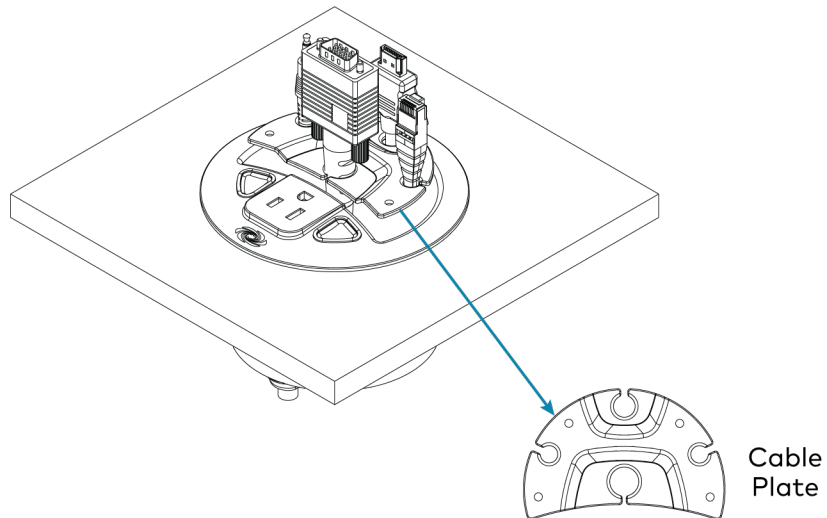
5. Use the included Allen wrench to tighten the three setscrews (included with the locking ring) to secure the locking ring to the bottom surface of the table.



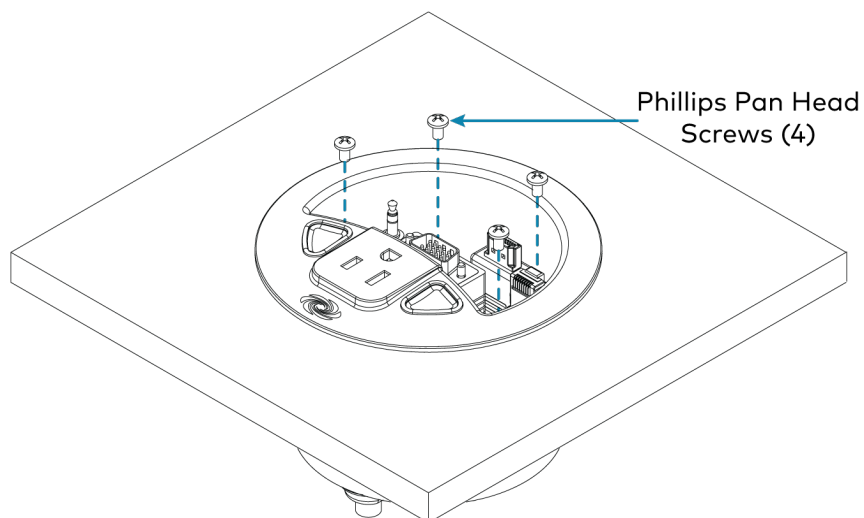
6. Route the desired cables from the bottom of the TT-100-B-T through the cable opening. Up to four cables can be routed through the device.



7. Insert the cables into their respective holes in the included cable plate.



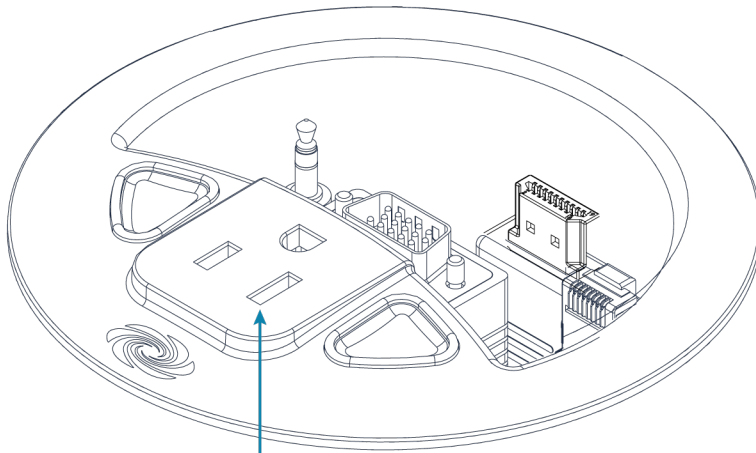
8. Seat the cable plate in the cable opening, then secure the plate to the body of the TT-100-B-T using the four included Phillips pan head screws.



Connect the Device

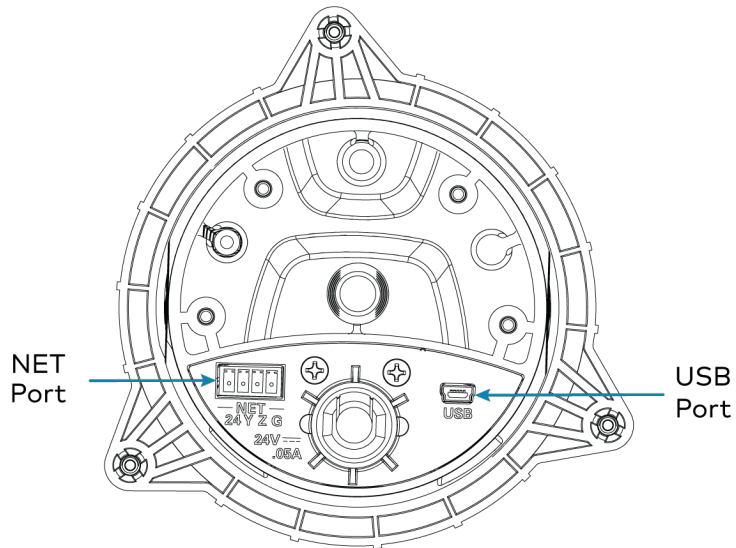
Connect any pass-through cables as required by the application.

Connect the power cord and the grounded AC power pass-through outlet as required. The maximum power load is 10A @ 125VAC, 50/60 Hz.



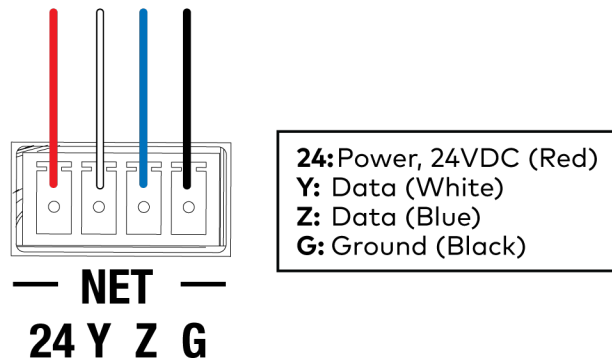
Power Pass-Through
Outlet

NET and **USB** ports are located on the bottom of the TT-100-B-T.



Use either port to communicate with a compatible device:

- The **NET** port requires a Cresnet® control cable (not included) to connect to a Crestron control system (sold separately).



NOTE: The TT-100-B-T will receive power via the **NET** port when connected to a Cresnet bus.

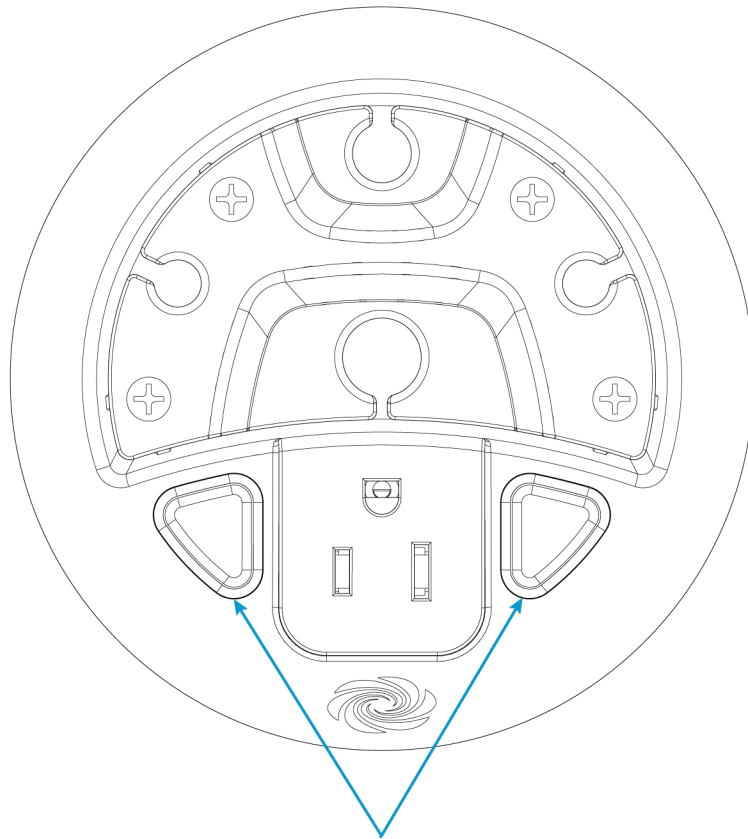
- The **USB** port is a USB Type mini-AB port. The TT-100-B-T can be connected to the USB port of a Crestron DM-TX-201-C or other legacy DigitalMedia™ transmitter via a USB Type B to mini-A cable (not included). When connected, the buttons on the TT-100-B-T will control source switching on the DM-TX-201-C without the need for a control system program.

NOTE: The DM-TX-201-C does not supply power via USB. The TT-100-B-T must be powered via the included power supply or a Cresnet connection.

Observe the Indicators

The TT-100-B-T features soft-touch, Crestron Connect It™ capacitive buttons with multicolored status indicators. Refer to the table below for the status conditions represented by each color and pattern.

Color/Pattern	Status
Solid Blue	No video source is connected.
Blinking Green	Video is detected and the display is powering on.
Solid Green	Video is passing to the display.
Pulsing Green	Video is detected, but is not passing to the display.
Blinking Red	The button is being pressed while no video source is detected. After five blinks, the indicator reverts to solid blue.



Crestron Connect It™
Buttons

NOTE: A connection to a control system is required to support the full range of colors and patterns.

Resources

The following resources are provided for the TT-100-B-T.

NOTE: You may need to provide your Crestron.com web account credentials when prompted to access some of the following resources.

Crestron Support and Training

- [Crestron True Blue Support](#)
- [Crestron Resource Library](#)
- [Crestron Online Help \(OLH\)](#)
- [Crestron Technical Institute \(CTI\) Portal](#)

Programmer and Developer Resources

- help.crestron.com: Provides help files for Crestron programming tools such as SIMPL, SIMPL#, and Crestron Toolbox™ software
- developer.crestron.com: Provides developer documentation for Crestron APIs, SDKs, and other development tools

Product Certificates

To search for product certificates, refer to the [Product Certificates](#) section of the Crestron Resource Library.

Related Documentation

- [Crestron Technical Documentation](#)

