

UC-PHONE-S-PLUS/UC-PHONE-T-PLUS

Desk Phones for Skype® for Business & Microsoft Teams™ Software

The UC-PHONE-S-PLUS (sold as the UC-P110-S) and the UC-PHONE-T-PLUS (sold as UC-P110-T) are desktop phones that bring the Skype® for Business (UC-PHONE-S-PLUS) or Microsoft Teams™ (UC-PHONE-T-PLUS) experience to a desk phone.

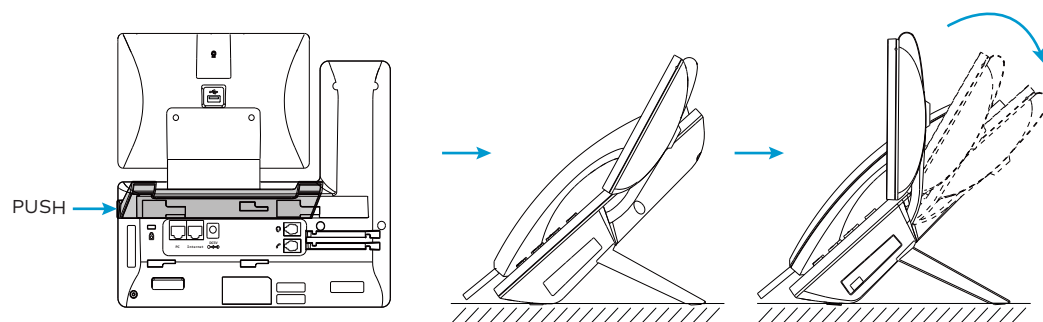
With the exception of software, the UC-PHONE-S-PLUS and UC-PHONE-T-PLUS have similar features.

Check the Box

| Item | Qty |
|--|-----|
| UC-PHONE-S-PLUS and UC-PHONE-T-PLUS | 1 |
| Cable, Ethernet, CAT5e, 6.6 ft (2 m) | 1 |
| Cord, Handset | 1 |
| Handset | 1 |
| Phone | 1 |
| Stand | 1 |

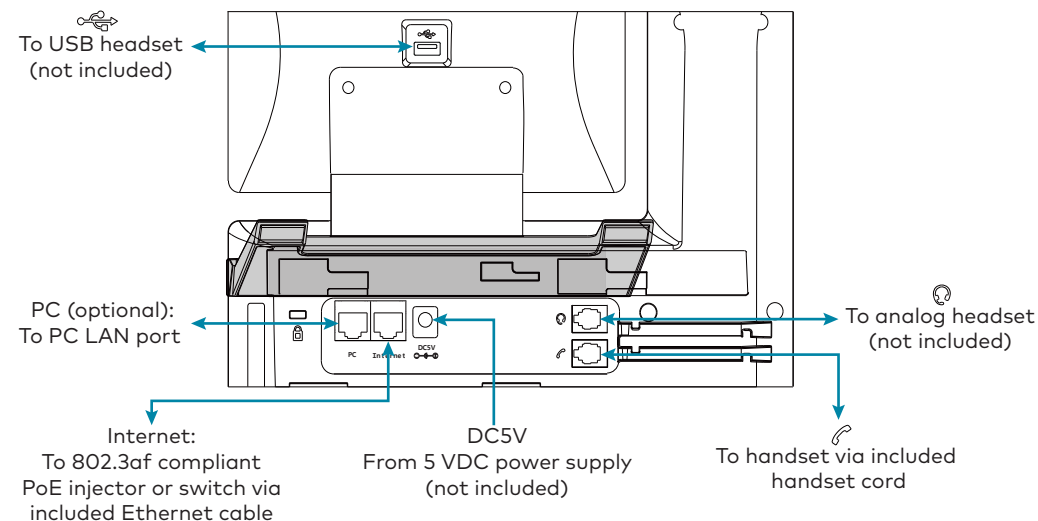
Assemble the Device

Attach the stand and adjust the angle of the touch screen as shown below.



Connect the Device

Make the necessary connections as called out in the following diagram.



NOTES:

- For a list of USB headsets that are compatible with the UC-PHONE-S-PLUS (Skype for Business) visit <https://partnersolutions.skypeforbusiness.com/solutionscatalog/personal-peripherals-pcs>.
- For a list of USB headsets that are compatible with the UC-PHONE-T-PLUS (Microsoft Teams), visit <https://products.office.com/en-us/microsoft-teams/across-devices/devices/category?devicetype=36>.

Configure, Provision, and Use the Device

NOTE: (For Skype for Business phones with a user that will log in with an O365 account): Before use, the Microsoft Azure administrator must grant the desired tenant permission to log in with an O365 account. For details, refer to the UC-P100-S & UC-P110-S Crestron Flex VoIP Desk Phones for Skype for Business Administrator Guide (Doc. 8412) at www.crestron.com/manuals.

After the device is connected to the network and supplied with power, it automatically begins the initialization process. After startup, the phone must be configured and provisioned for operation. For details, refer to the UC-P100-S & UC-P110-S Crestron Flex VoIP Desk Phones for Skype for Business Supplemental Guide (Doc. 8412) or the UC-P100-T & UC-P110-T Crestron Flex VoIP Desk Phones for Microsoft Teams™ Supplemental Guide (Doc. 8413) at www.crestron.com/manuals.



»» For Additional Information

Scan or click the QR code for detailed product information.



UC-PHONE-S-PLUS



UC-PHONE-T-PLUS

Compliance and Legal

Original Instructions: The U.S. English version of this document is the original instructions. All other languages are a translation of the original instructions.

Regulatory Model: (UC-PHONE-PLUS)

As of the date of manufacture, the product has been tested and found to comply with specifications for CE marking.



This product is Listed to applicable UL® Standards and requirements tested by TUV.

Ce produit est homologué selon les normes et les exigences UL applicables par TUV.



Federal Communications Commission (FCC) Compliance Statement

This device complies with part 15 of the FCC Rules. Operation is subject to the following conditions: (1) This device may not cause harmful interference and (2) this device must accept any interference received, including interference that may cause undesired operation.

CAUTION: Changes or modifications not expressly approved by the manufacturer responsible for compliance could void the user's authority to operate the equipment.

NOTE: This equipment has been tested and found to comply with the limits for a Class B digital device, pursuant to part 15 of the FCC Rules. These limits are designed to provide reasonable protection against harmful interference in a residential installation. This equipment generates, uses and can radiate radio frequency energy and, if not installed and used in accordance with the instructions, may cause harmful interference to radio communications. However, there is no guarantee that interference will not occur in a particular installation. If this equipment does cause harmful interference to radio or television reception, which can be determined by turning the equipment off and on, the user is encouraged to try to correct the interference by one or more of the following measures:

- Reorient or relocate the receiving antenna.
- Increase the separation between the equipment and receiver.
- Connect the equipment into an outlet on a circuit different from that to which the receiver is connected.
- Consult the dealer or an experienced radio/TV technician for help.

Industry Canada (IC) Compliance Statement

CAN ICES-3 (B)/NMB-3(B)

※ 警語不得用單張夾頁方式放在使用說明書內或外包裝內 ※
(2012年5月2日NCC第46次一致性會議#10105178)

※ 對於電子方式顯示NCC相關警語，NCC目前仍視為輔助使用，
不可取代現行印製於器材本體或外包裝或.....等之規定 ※

電信管制射頻器材警語：

經型式認證合格之低功率射頻電機，非經許可，公司、商號或使用者均不得擅自變更頻率、加大功率或變更原設計之特性及功能。

低功率射頻電機之使用不得影響飛航安全及干擾合法通信；經發現有干擾現象時，應立即停用，並改善至無干擾時方得繼續使用。

前項合法通信，指依電信法規定作業之無線電通信。

低功率射頻電機須忍受合法通信或工業、科學及醫療用電波輻射性電機設備之干擾。

使用此產品時應避免影響附近雷達系統之操作。

高增益指向性天線只得應用於固定式點對點系統。(無法外接或替換天線之器材，不用標示)

The product warranty can be found at www.crestron.com/warranty.

The specific patents that cover Crestron products are listed at www.crestron.com/legal/patents.

Certain Crestron products contain open source software. For specific information, please visit www.crestron.com/opensource.

Crestron and the Crestron logo are either trademarks or registered trademarks of Crestron Electronics, Inc. in the United States and/or other countries. Skype and Microsoft Teams are either trademarks or registered trademarks of Microsoft Corporation in the United States and/or other countries. UL is either a trademark or registered trademark of Underwriters Laboratories, Inc. in the United States and/or other countries. Other trademarks, registered trademarks, and trade names may be used in this document to refer to either the entities claiming the marks and names or their products. Crestron disclaims any proprietary interest in the marks and names of others. Crestron is not responsible for errors in typography or photography.

©2019 Crestron Electronics, Inc.

Crestron Electronics, Inc.
15 Volvo Drive, Rockleigh, NJ 07647
Tel: 888.CRESTRON
Fax: 201.767.7576
www.crestron.com

**Quick Start - Doc. 8359C
(2053652)
03.19**

Specifications subject to
change without notice.