

Acoustic Back Can for Reference and Ultimate IC6/IC8 In-Ceiling Speakers, 1 Pair

The acoustic back can accessory for Crestron speakers made by Origin Acoustics is compatible with the following Reference and Ultimate speakers:

- [REFERENCE IC6-W-T-EACH](#)
- [REFERENCE IC8-W-T-EACH](#)
- [ULTIMATE IC6-AW-W-T-EACH](#)
- [ULTIMATE IC6-W-T-EACH](#)
- [ULTIMATE ICS8-AW-W-T-EACH](#)
- [ULTIMATE IC8-AW-W-T-EACH](#)

The flush mount kits are available in square (SQ) and circular shapes.



In the Box

1 SPKA-BC-IC6/IC8

Additional Items

6 Screws



Installation

Install the Acoustic Back Can

Mount the [SPKA-BC-IC6/IC8](#) acoustic back can accessory over the Reference and Ultimate speakers. This accessory must be purchased separately.

1. Install the Reference and Ultimate speakers as per the Quick Start Docs : [8968](#), [8970](#), and [9036](#) .
2. Connect the wire leads within the acoustic back can to the inputs on the speaker.

NOTE: : Make sure that the back can is secured properly over the speaker – the screw holes of the acoustic back can should sit evenly on the corresponding surface of the speaker housing without any gaps and without having to apply force.

3. Place the acoustic back can on the top of the speaker.
4. Insert the six supplied screws into the holes of the acoustic back can.
5. Tighten the screws until the acoustic back can is secure. Do not overtighten.
6. Connect the speaker wire from the amplifier to the terminals on the acoustic back can.

NOTE: Make sure that the positive cable is attached to the red connection, and the negative cable is attached to the black connection.

Acoustic Back Can for Reference and Ultimate IC6/IC8 In-Ceiling Speakers, 1 Pair



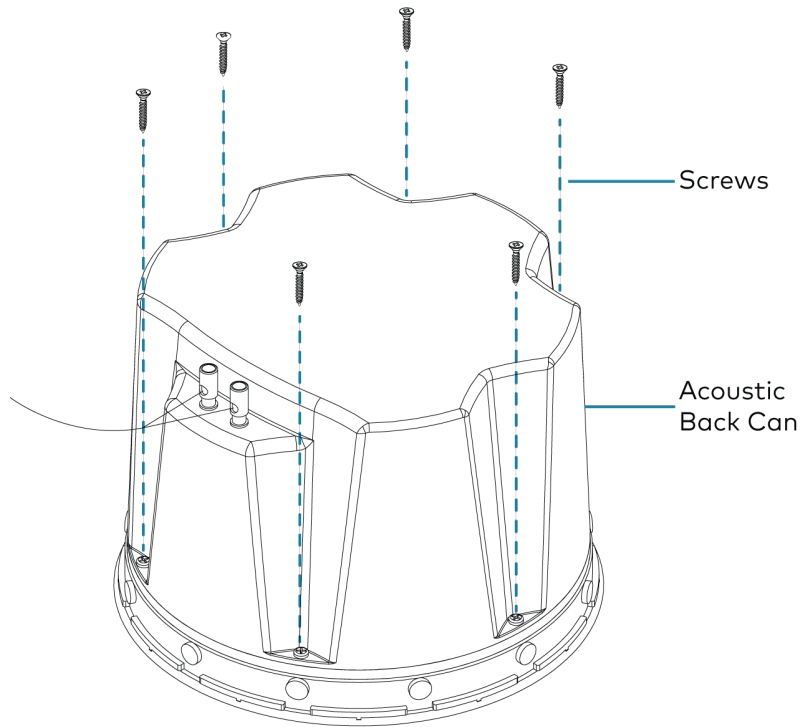
Visit the Product Page

Scan the QR code to visit the product page.

SPKA-BC-IC6/IC8



www.crestron.com/model/6511911



Acoustic Back Can for Reference and Ultimate IC6/IC8 In-Ceiling Speakers, 1 Pair

Additional Information

Original Instructions

The U.S. English version of this document is the original instructions.
All other languages are a translation of the original instructions.

Crestron product development software is licensed to Crestron dealers and Crestron Service Providers (CSPs) under a limited nonexclusive, nontransferable Software Development Tools License Agreement. Crestron product operating system software is licensed to Crestron dealers, CSPs, and end-users under a separate End-User License Agreement. Both of these Agreements can be found on the Crestron website at www.crestron.com/legal/software_license_agreement.

The product warranty can be found at www.crestron.com/warranty.

The specific patents that cover Crestron products are listed at www.crestron.com/legal/patents.

Certain Crestron products contain open source software. For specific information, visit www.crestron.com/opensource.

Crestron and the Crestron logo are either trademarks or registered trademarks of Crestron Electronics, Inc. in the United States and/or other countries. Origin Acoustics is either a trademark or a registered trademark of Origin Acoustics, Inc. in the United States and/or other countries. Other trademarks, registered trademarks, and trade names may be used in this document to refer to either the entities claiming the marks and names or their products. Crestron disclaims any proprietary interest in the marks and names of others. Crestron is not responsible for errors in typography or photography. Specifications are subject to change without notice.

©2022 Crestron Electronics, Inc.

Doc. 9229A

07/11/22