

## Crestron Flex Advanced Small Room Conference System with Video Soundbar and Wall Mounted Control Interface for Microsoft Teams® Rooms

The UC-BX30-T-WM and UC-BX30-T-L-WM Crestron Flex advanced conferencing systems provide small room video conference solutions for use with Microsoft Teams® Rooms software. They support single or dual video displays and feature a wall mount touch screen, UC presentation transmitter, UC bracket assembly, and smart soundbar and camera.

The latest firmware must be loaded onto the touch screen prior to operation. Refer to the touch screen's [product page](#) (resources tab) to download the latest device firmware. The latest UC-BX30-T-WM and UC-BX30-T-L-WM firmware is installed using the auto update feature.

### Minimum Requirements:

- A video display (not included) connected to the UC Engine. A second display is optional.
- A Microsoft Teams or Skype® for Business account
- An environment running Microsoft Exchange Server® software (2013 SP1 or later for on-premises installation or Microsoft 365® software for Cloud) for scheduling and/or Skype for Business 2015 (on-premises installation or Microsoft 365 software for Cloud)



### In the Box

- |   |   |
|---|---|
| 1 | <b>Wall Mount Touch Screen</b><br>10.1 in. Wall Mount Touch Screen (6511975)<br>Mounting hardware |
| 1 | <b>Smart Soundbar and Camera</b><br>Soundbar and Camera (6511283)                                 |

- |   |  |
|---|--|
| 1 | Power supply (2045873) with cord (2042043)                           |
| 1 | Cable, USB 3.0, A - B, 6 ft (1.8 m) (2053077)                        |
|   | Mounting hardware  |
|   | <b>UC Presentation Transmitter</b>                                   |
| 1 | Power pack (2056363) with cord (2001134)                             |
| 1 | Bracket, power supply (2056257)                                      |
| 1 | Cable, USB to USB, 6.56 ft (2 m) (2056116)                           |
| 1 | Cable, HDMI®, 6.56 ft (2 m) (2056117)                                |
| 1 | Cable, USB 2.0, A to Micro B, 6.56 ft (2 m) (2055504)                |
| 8 | Screw, 10-9 x 5/8 in. (15.9 mm), Pan Head, Phillips, Black (2054365) |

### UC Bracket Assembly

- |   |  |
|---|--|
| 1 | UC Bracket Assembly with UC Engine and HDMI® or AV over CAT5 content ingest (UC-BRKT-250-P-T-ASSY, 6511476 or UC-BRKT-260-P-T-L-ASSY, 6512032) |
| 2 | Anchor, Drywall, Plastic, 3/8 in. x 1/2 in. (9.5 mm x 12.7 mm) (2052565)   |
| 2 | EDID passthrough (2055728)*  |
| 1 | Key, Anchor (4529654)  |
| 1 | Power pack (2045870)   |
| 2 | Screw, 8-AB x 1-1/2 in. (38.1 mm), Pan Head, Combo (2052567)   |
| 4 | Tie Wrap (2047935)   |

### Additional Items

- |   |  |
|---|--|
| 2 | Cable, CAT6a, RJ-45 - RJ-45, 20 ft (6.1 m) (6507640) |
|---|--|

## Crestron Flex Advanced Small Room Conference System with Video Soundbar and Wall Mounted Control Interface for Microsoft Teams® Rooms

- 2 Cable, CAT5e, RJ-45 - RJ-45, 7 ft (2.1 m) (6509924)
- 1 Cable, DisplayPort™ to HDMI, 6 ft (1.8 m) (6508282)
- 1 Cable, HDMI, 6 ft (1.8 m) (6503565)

\*EDID passthroughs are not included in the UC-BX30-T-L-WM system.



### Mount Devices

#### Mount the UC Bracket Assembly

Mount the UC Bracket Assembly to VESA® compliant display devices, a wall, or other building structure. Anchors and screws are supplied for installation on walls 3/8 in. (9.5 mm) to 3/4 in. (19 mm) thickness.

**CAUTION:** Preinstalled screws may protrude from the back of the UC Bracket Assembly. Exercise caution when handling the UC Bracket Assembly to avoid scratching or damaging surfaces.

**NOTE:** The integrated cable tie wraps are reusable. Avoid damaging the cable tie wraps.

#### Mount the UC Presentation Transmitter

Mount the UC Presentation Transmitter to the underside of a table using the supplied screws. The supplied screws support installation on tables with a thickness of 1 in. (25.4 mm) minimum.

#### Mount the Soundbar and Camera

Mount the included smart soundbar and camera according to the [UC-SB1-CAM-FLEX Quick Start](#) (Doc. 8473).

#### Mount the Touch Screen

Mount the included touch screen according to the [TSW-1070 Quick Start](#) (Doc. 8552).

## Crestron Flex Advanced Small Room Conference System with Video Soundbar and Wall Mounted Control Interface for Microsoft Teams® Rooms

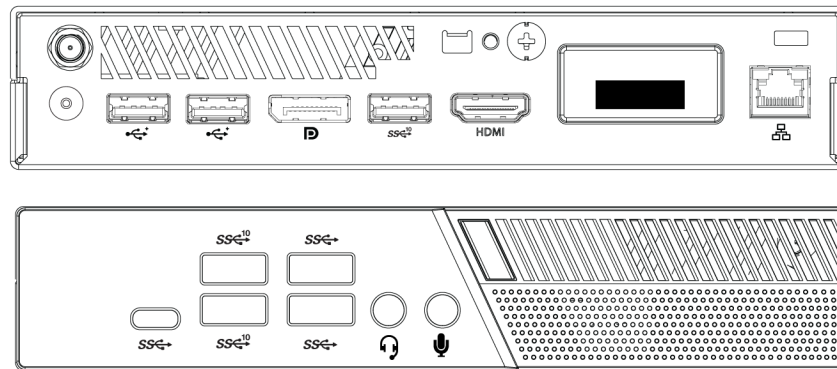


### Connect

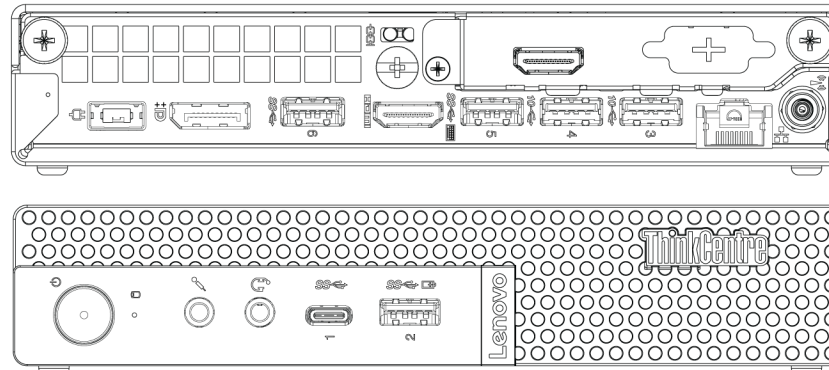
### Identify the UC Engine

The UC Engine is available in two models. Identify the model included with your Crestron Flex system. Tap or click the corresponding image below to navigate to the appropriate connection instructions.

#### ASUS® Mini PC (UC-BX30-T-WM)



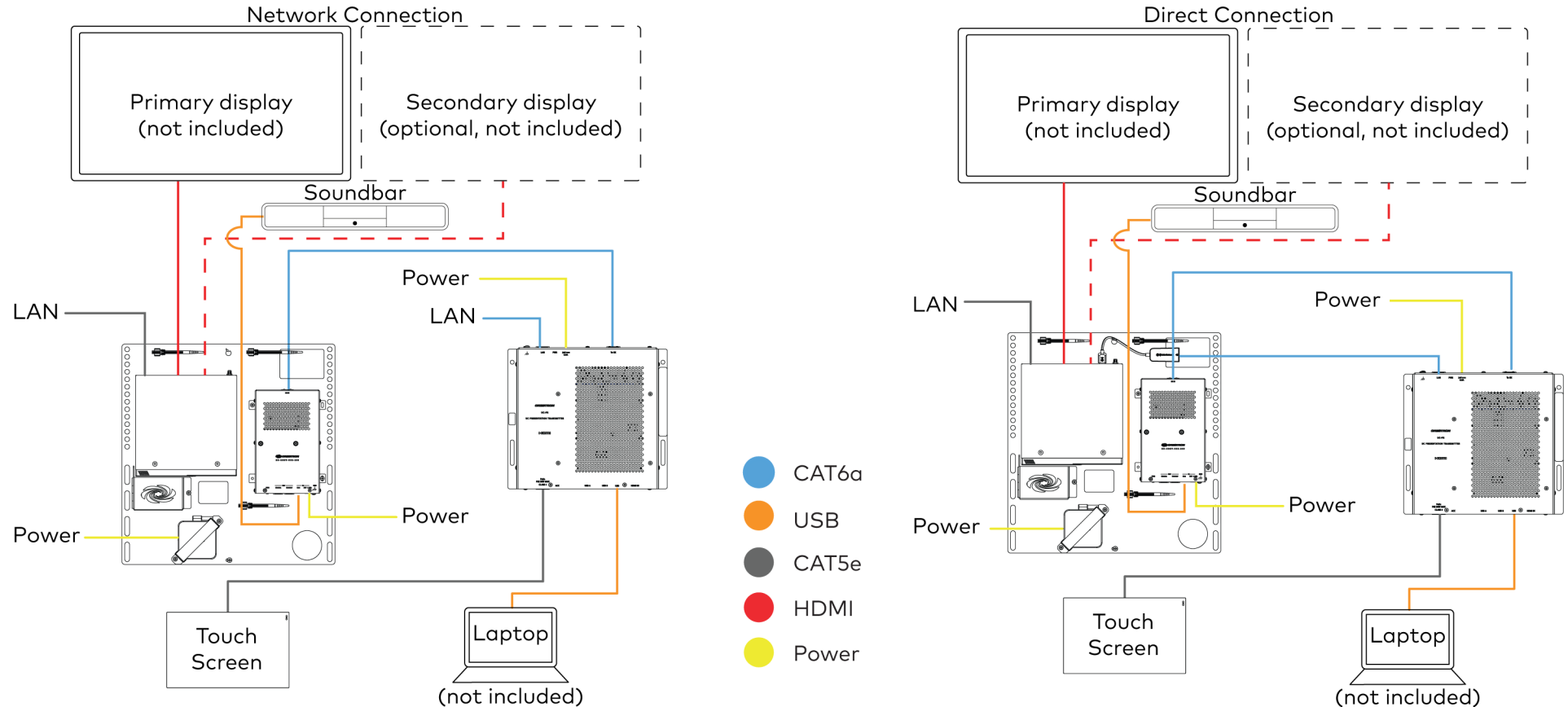
#### Lenovo® M920Q ThinkSmart™ Edition Tiny (UC-BX30-T-L-WM)



## Crestron Flex Advanced Small Room Conference System with Video Soundbar and Wall Mounted Control Interface for Microsoft Teams® Rooms

### System Overview (UC-BX30-T-WM)

When connections are complete, the system appears as shown below. The laptop connections shown below may vary based on the selected connection method. Refer to [Make Connections \(UC-BX30-T-WM\)](#) for detailed connection instructions.

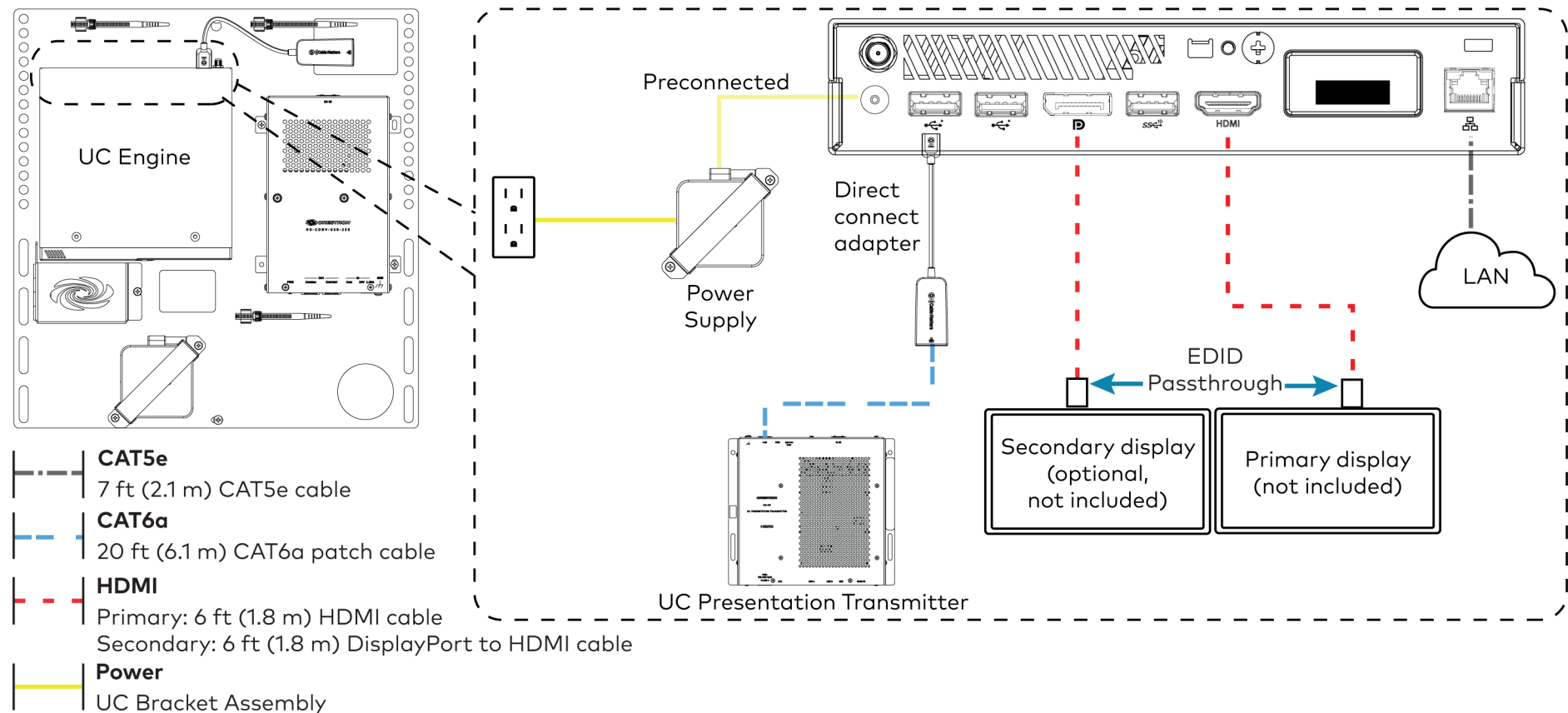


## Crestron Flex Advanced Small Room Conference System with Video Soundbar and Wall Mounted Control Interface for Microsoft Teams® Rooms

### Make Connections (UC-BX30-T-WM)

1. Make UC Engine connections as shown in the following illustrations. The UC Presentation Transmitter can communicate with the UC Engine over a direct connection or a network connection. Select one of the connection types as described below.
  - Make a direct connection for simple installation and setup. Only use the direct connect adapter to connect the UC Presentation Transmitter to the UC Engine. Do not use the direct connect adapter to connect the UC Engine to the network.

#### Direct Connection

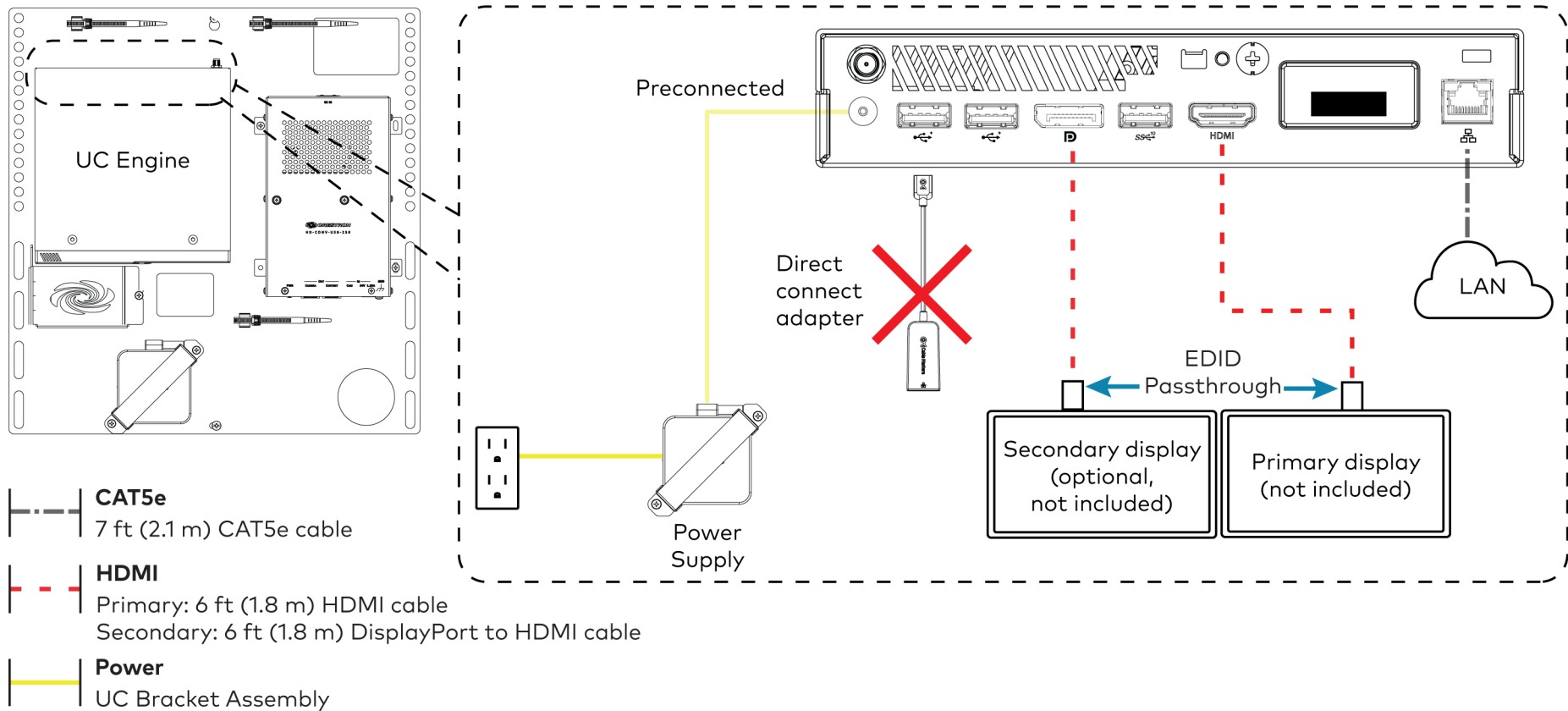


## Crestron Flex Advanced Small Room Conference System with Video Soundbar and Wall Mounted Control Interface for Microsoft Teams® Rooms

- Make a network connection if the system is to be managed by the XiO Cloud® service.

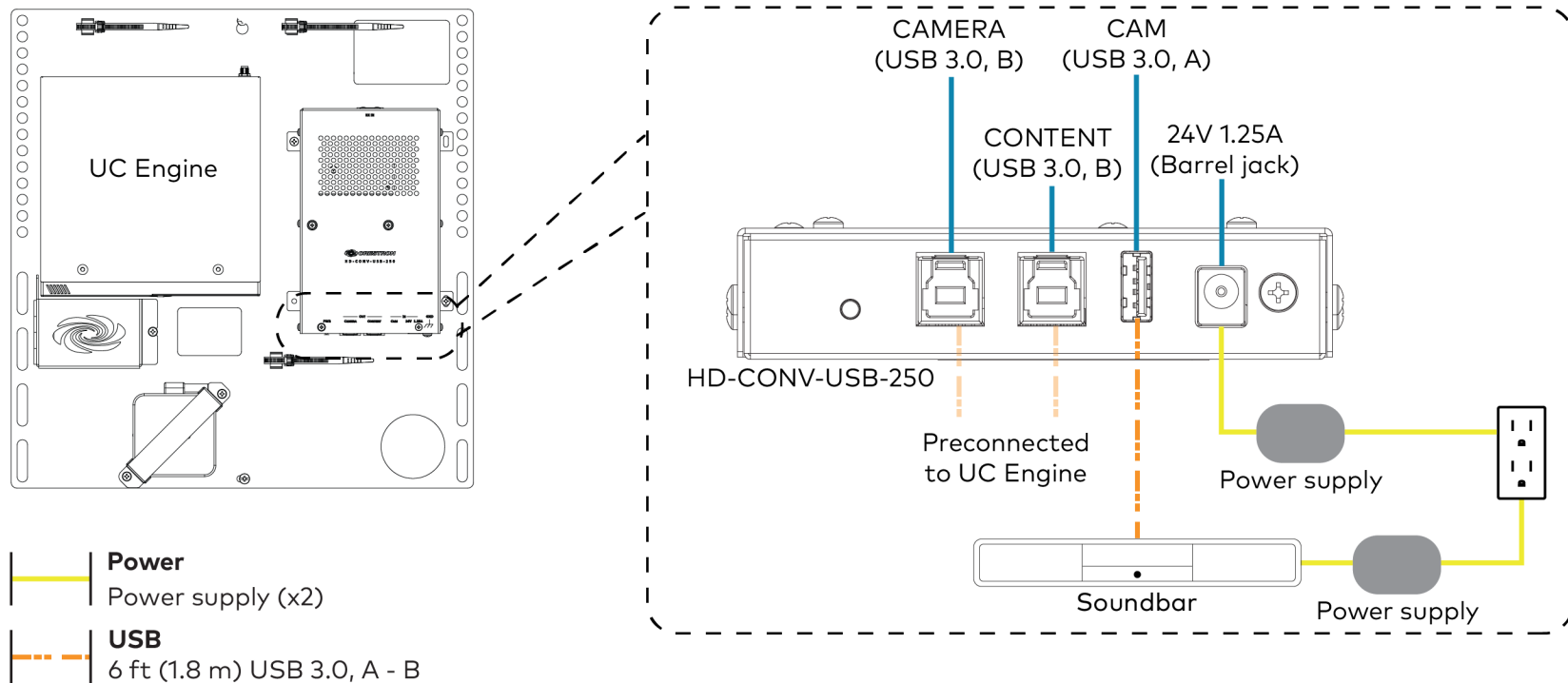
**NOTE:** When a network connection is used, disconnect the direct connect adapter from the UC Engine.

### Network Connection



## Crestron Flex Advanced Small Room Conference System with Video Soundbar and Wall Mounted Control Interface for Microsoft Teams® Rooms

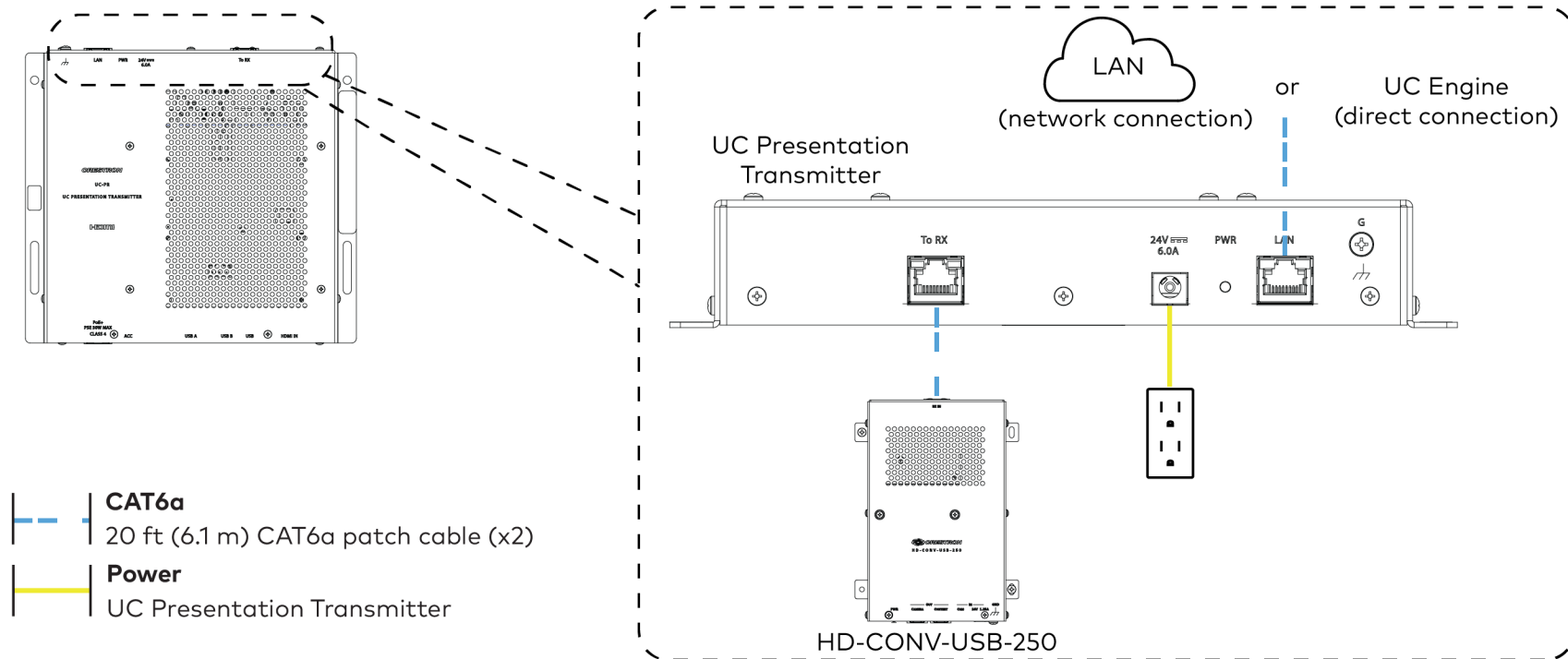
2. Connect the power supply and the soundbar to the bottom of the content ingest device (HD-CONV-USB-250). Connect the power supplies to an AC power outlet.



## Crestron Flex Advanced Small Room Conference System with Video Soundbar and Wall Mounted Control Interface for Microsoft Teams® Rooms

3. Connect power and the content ingest device (HD-CONV-USB-250) to the top of the UC Presentation Transmitter. Connect the UC Engine or LAN to make a direct or network connection as described in step 1.

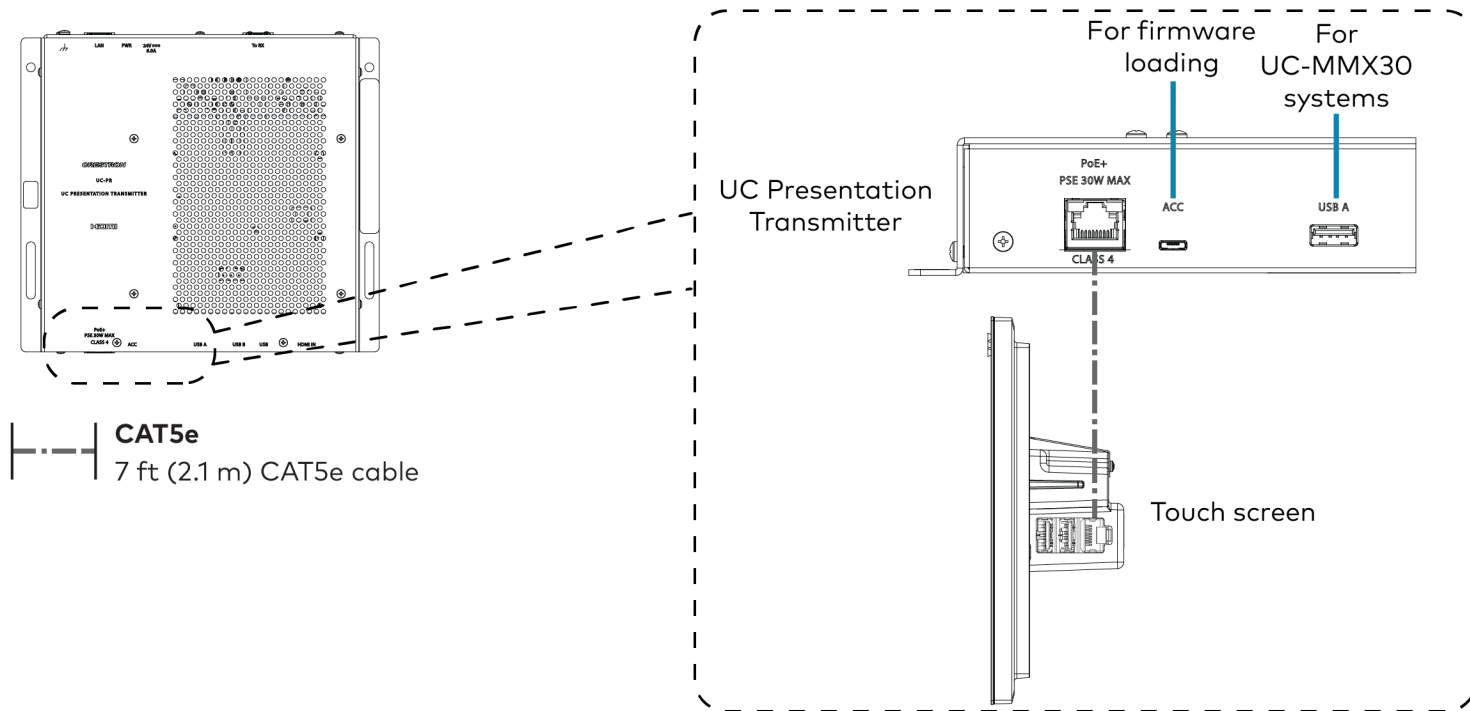
**NOTE:** If a longer cable between the UC Presentation Transmitter and the HD-CONV-USB-250 is needed, use a DigitalMedia™ Ultra cable only. The maximum supported cable length is 300 ft (91.4 m).





## Crestron Flex Advanced Small Room Conference System with Video Soundbar and Wall Mounted Control Interface for Microsoft Teams® Rooms

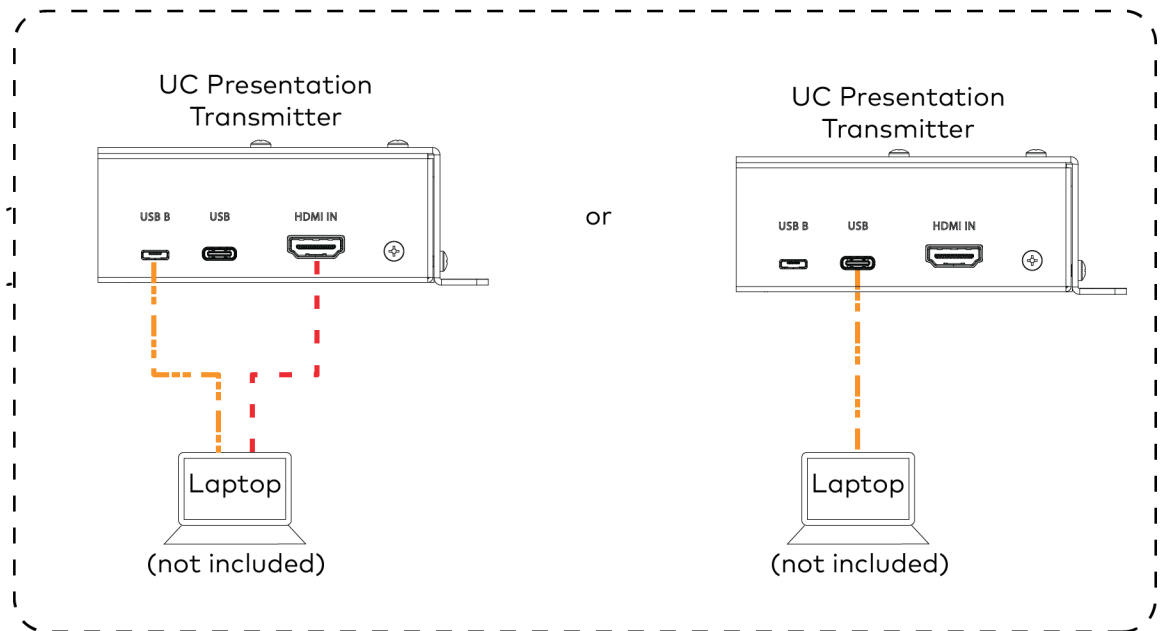
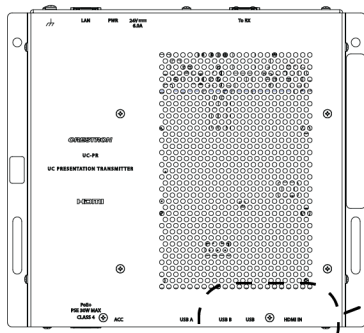
4. Connect the touch screen to the bottom of the UC Presentation Transmitter.



## Crestron Flex Advanced Small Room Conference System with Video Soundbar and Wall Mounted Control Interface for Microsoft Teams® Rooms

5. Connect a laptop to either the USB port or both the HDMI and USB B ports on the bottom of the UC Presentation Transmitter. Select a connection type based on the available ports on the user's laptop.

**NOTE:** If the USB port is used along with either the HDMI or USB B port, the UC Presentation Transmitter will communicate via the USB port by default.



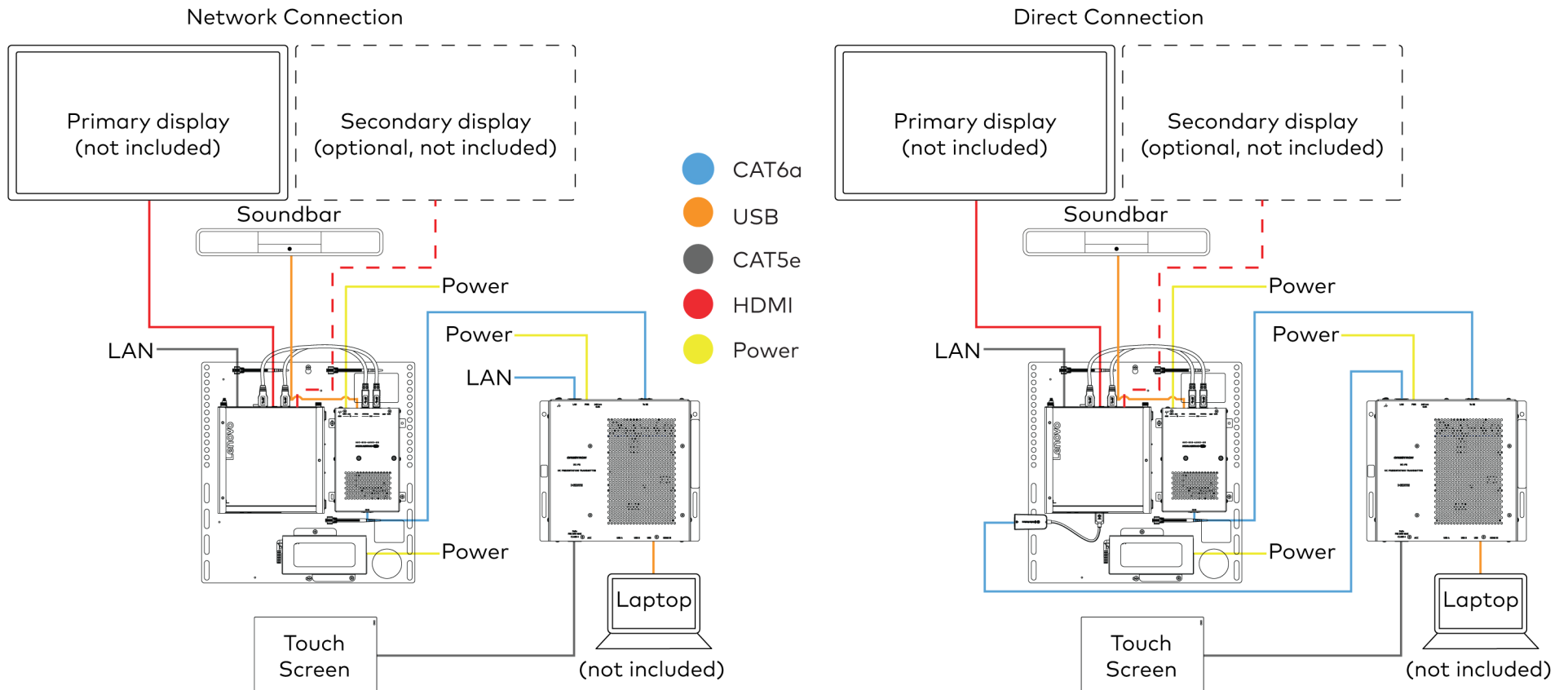
- HDMI**  
6.56 ft (2 m) HDMI cable  
(for BYOD functionality)
- USB**  
6.56 ft (2 m) USB A - Micro B cable  
6.56 ft (2 m) USB cable  
(both for BYOD functionality)

6. Bundle the cables to the bracket assembly with the integrated cable tie wraps. The cable tie wraps are reusable.

## Crestron Flex Advanced Small Room Conference System with Video Soundbar and Wall Mounted Control Interface for Microsoft Teams® Rooms

### System Overview (UC-BX30-T-L-WM)

When connections are complete, the system appears as shown below. The laptop connections shown below may vary based on the selected connection method. Refer to [Make Connections \(UC-BX30-T-L-WM\)](#) for detailed connection instructions.

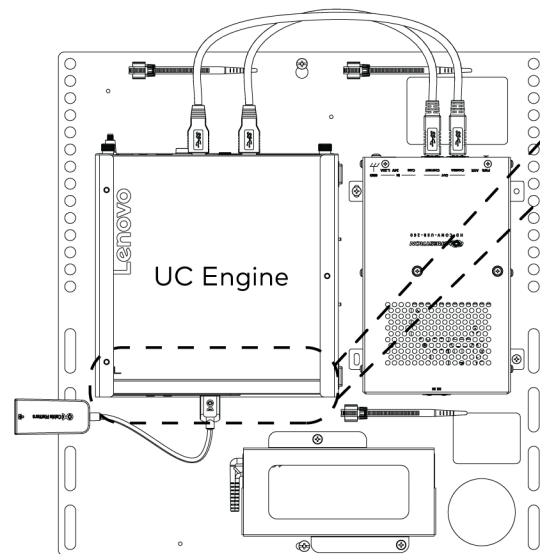


## Crestron Flex Advanced Small Room Conference System with Video Soundbar and Wall Mounted Control Interface for Microsoft Teams® Rooms

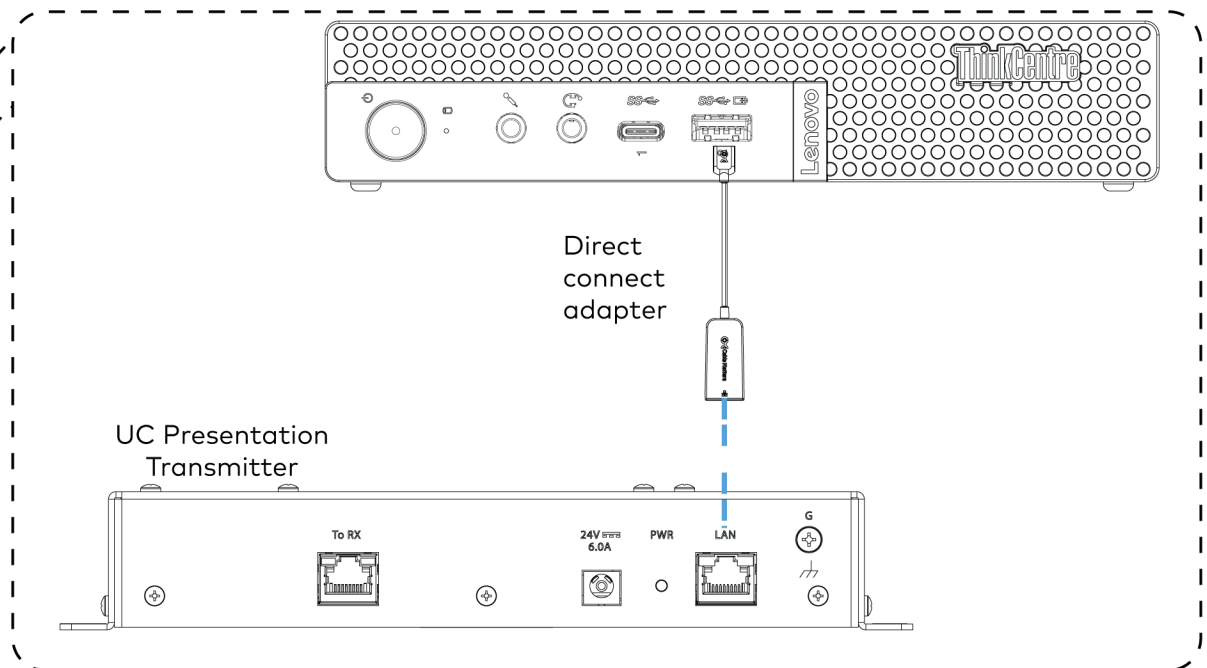
### Make Connections (UC-BX30-T-L-WM)

1. Make UC Engine connections as shown in the following illustrations. The UC Presentation Transmitter can communicate with the UC Engine over a direct connection or a network connection. Select one of the connection types as described below.
  - Make a direct connection for simple installation and setup. Only use the direct connect adapter to connect the UC Presentation Transmitter to the UC Engine. Do not use the direct connect adapter to connect the UC Engine to the network.

#### Direct Connection



 **CAT6a**  
20 ft (6.1 m) CAT6a patch cable

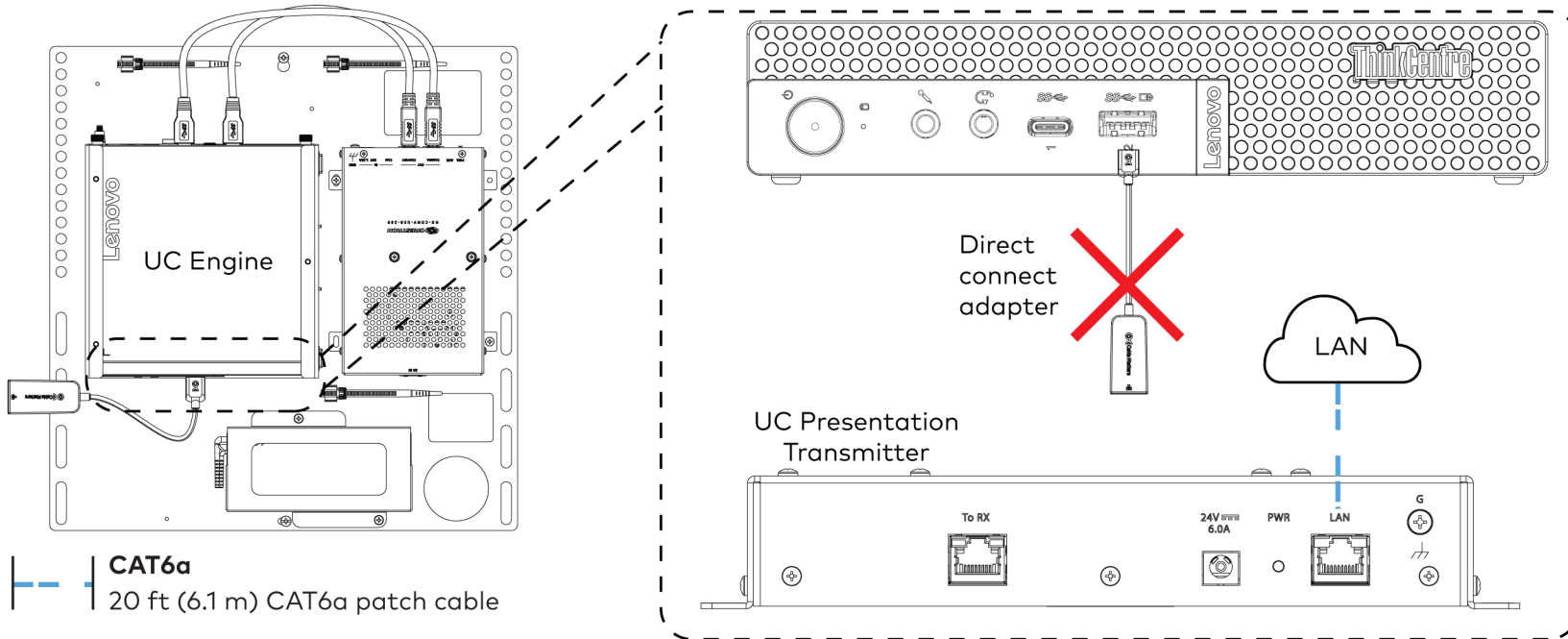


## Crestron Flex Advanced Small Room Conference System with Video Soundbar and Wall Mounted Control Interface for Microsoft Teams® Rooms

- Make a network connection if the system is to be managed by the XiO Cloud® service.

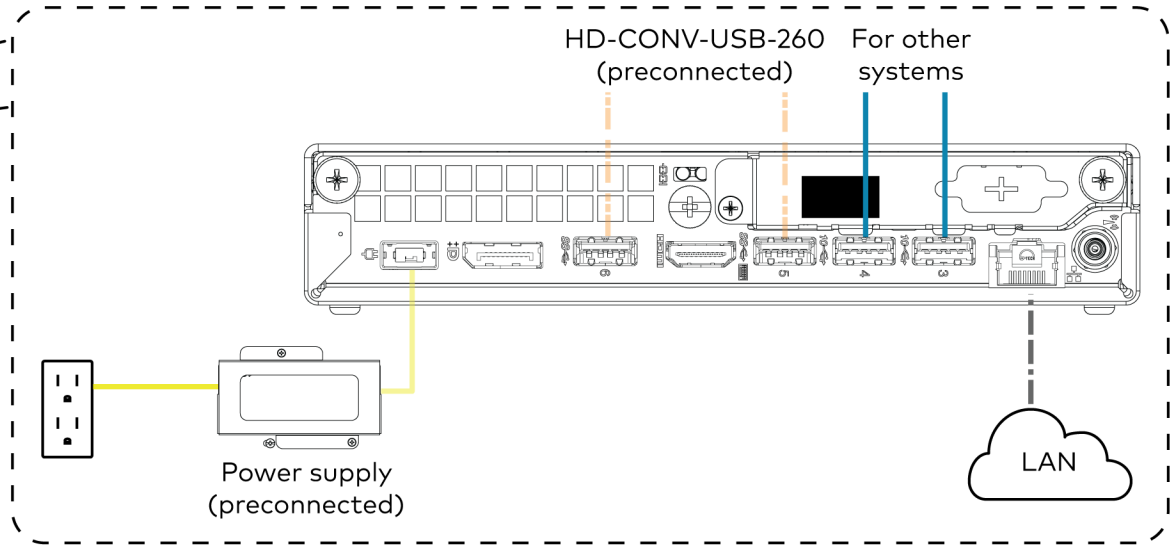
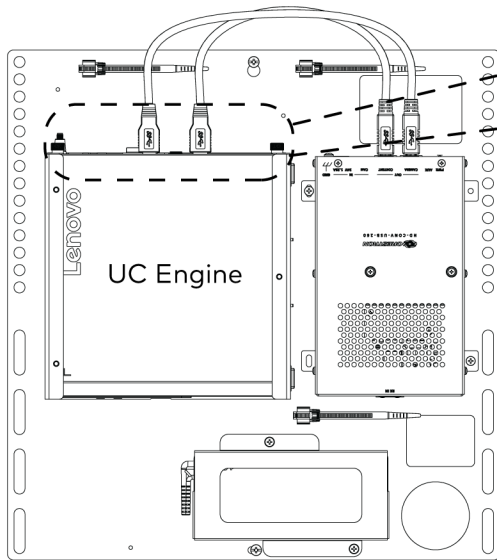
**NOTE:** When a network connection is used, disconnect the direct connect adapter from the UC Engine.



### Network Connection



## Crestron Flex Advanced Small Room Conference System with Video Soundbar and Wall Mounted Control Interface for Microsoft Teams® Rooms

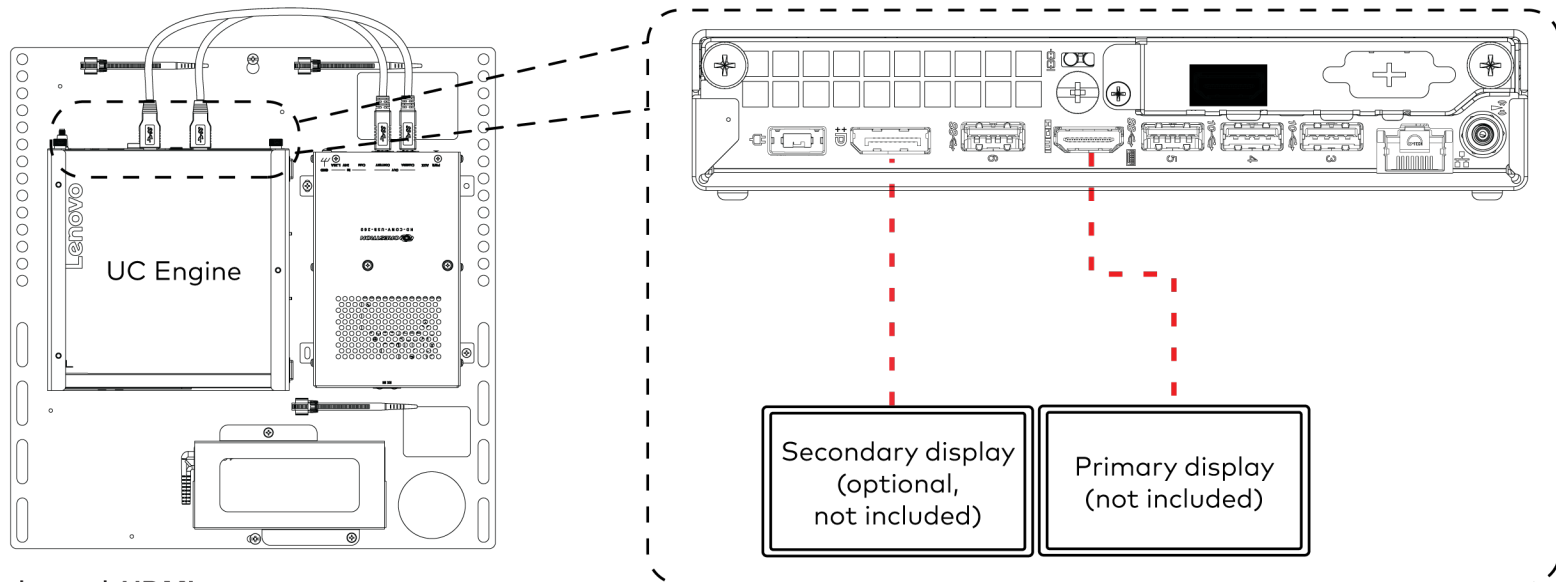
2. Make a network connection to the top of the UC Engine. Connect the bracket assembly's integrated power supply to an AC power outlet.



-  CAT5e  
7 ft (2.1 m) CAT5e cable
-  Power  
Power supply

## Crestron Flex Advanced Small Room Conference System with Video Soundbar and Wall Mounted Control Interface for Microsoft Teams® Rooms

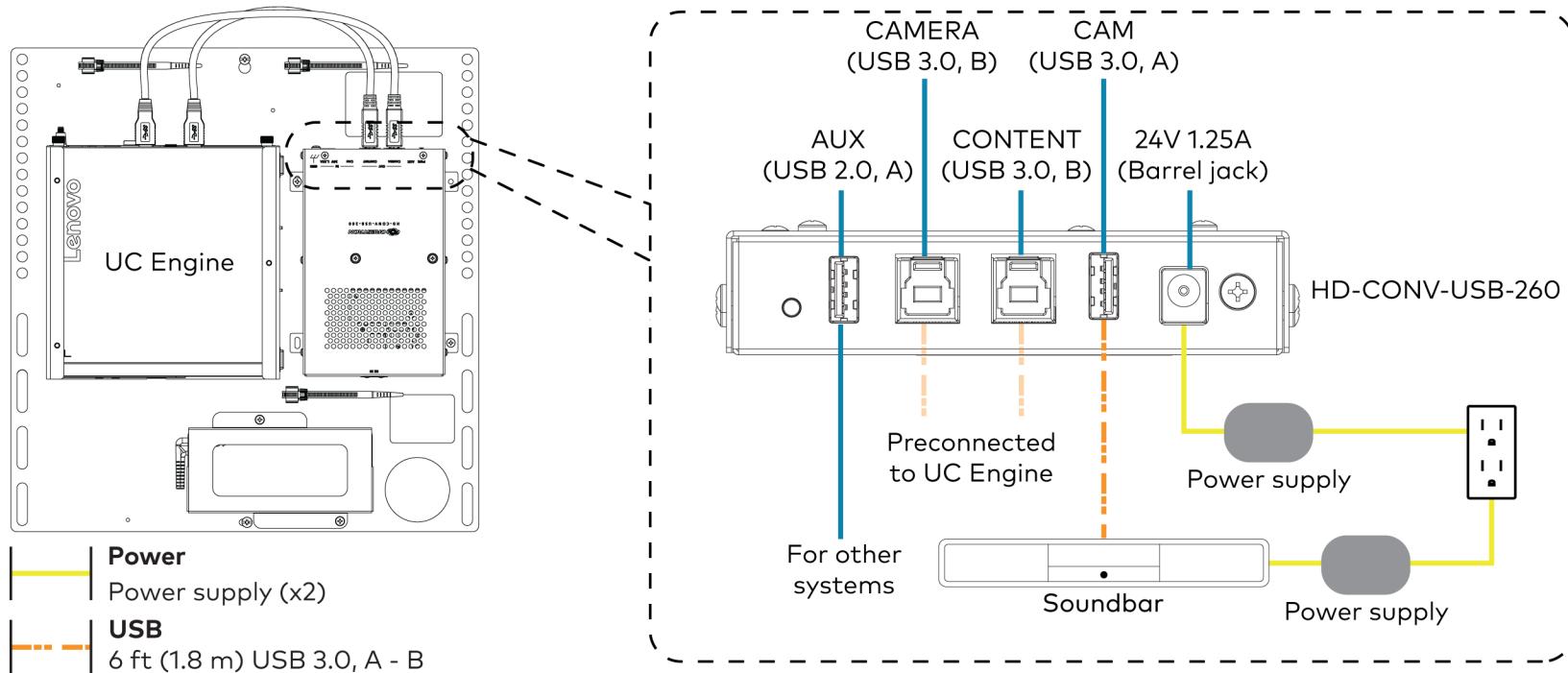
3. Connect displays to the UC Engine.



**HDMI**  
Primary: 6 ft (1.8 m) HDMI cable  
Secondary: 6 ft (1.8 m) DisplayPort to HDMI cable

## Crestron Flex Advanced Small Room Conference System with Video Soundbar and Wall Mounted Control Interface for Microsoft Teams® Rooms

4. Connect the power supply and the soundbar to the top of the content ingest device (HD-CONV-USB-260). Connect the power supplies to an AC power outlet.

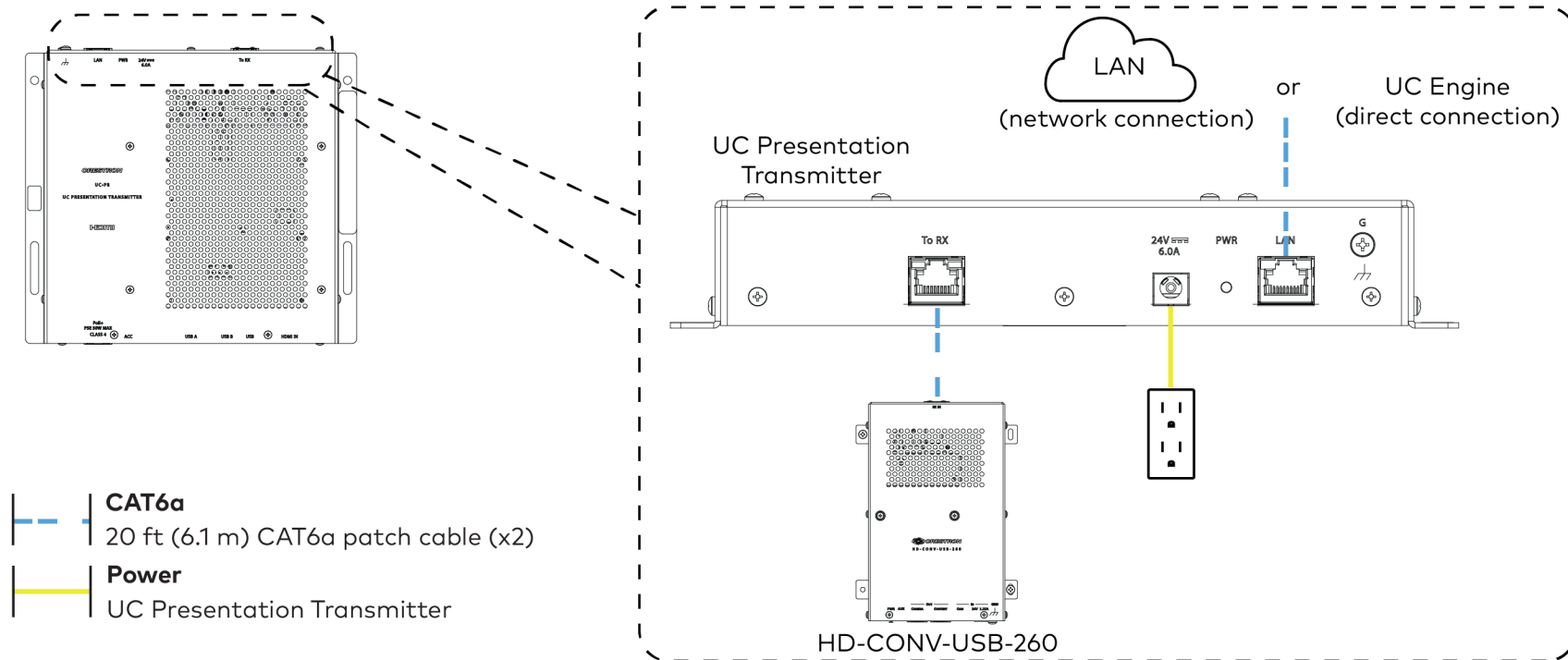




## Crestron Flex Advanced Small Room Conference System with Video Soundbar and Wall Mounted Control Interface for Microsoft Teams® Rooms

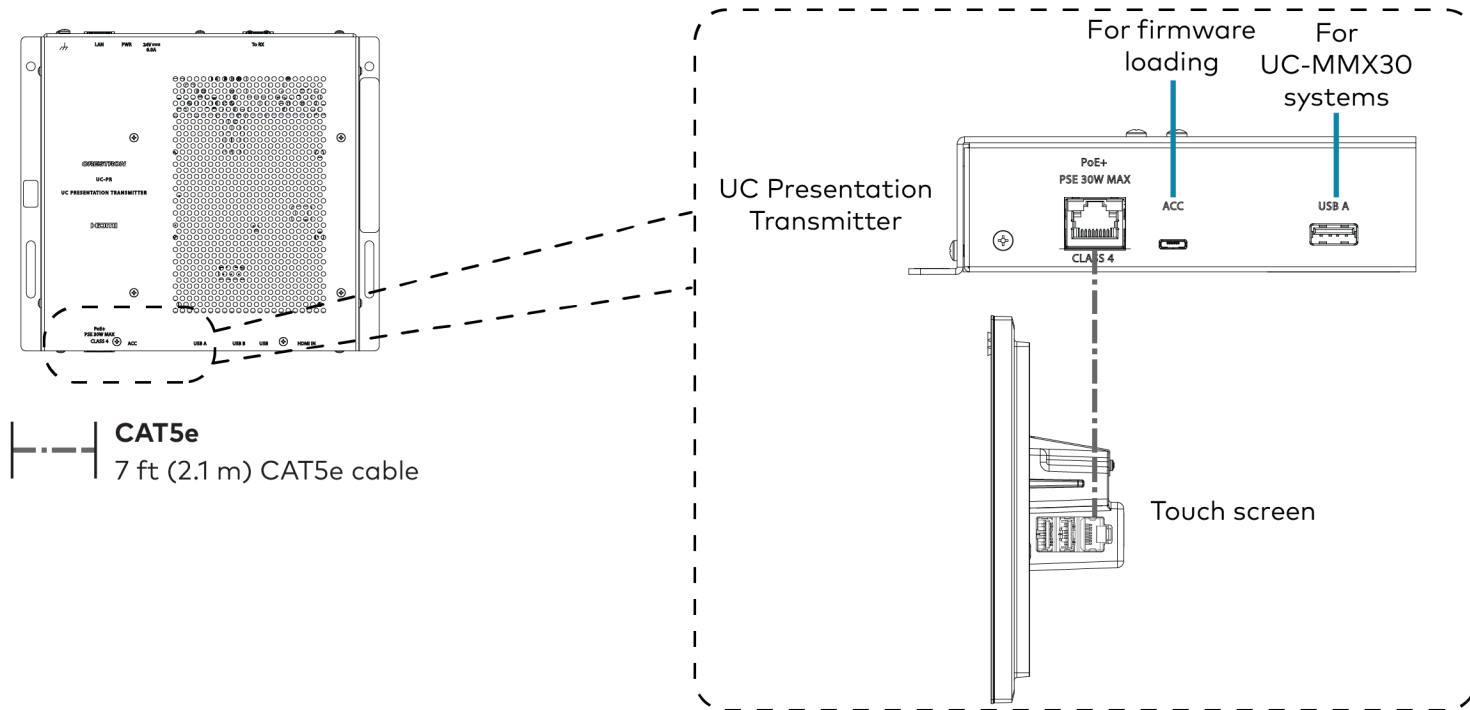
5. Connect power and the content ingest device (HD-CONV-USB-260) to the top of the UC Presentation Transmitter. Connect the UC Engine or LAN to make a direct or network connection as described in step 1.

**NOTE:** If a longer cable between the UC Presentation Transmitter and the HD-CONV-USB-260 is needed, use a DigitalMedia™ Ultra cable only. The maximum supported cable length is 300 ft (91.4 m).



## Crestron Flex Advanced Small Room Conference System with Video Soundbar and Wall Mounted Control Interface for Microsoft Teams® Rooms

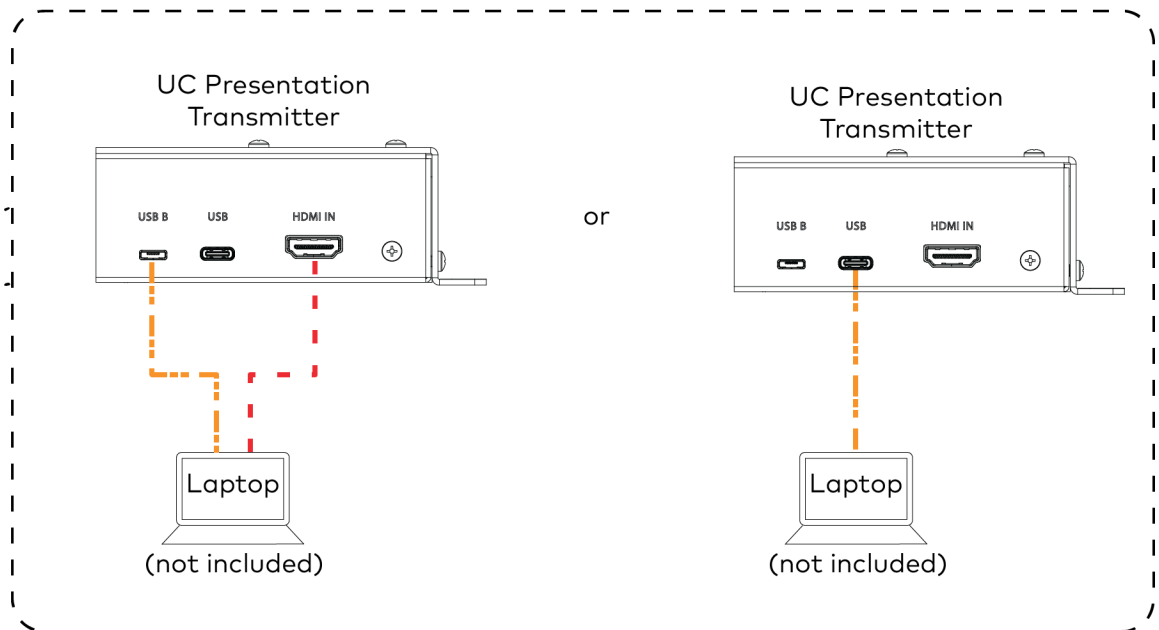
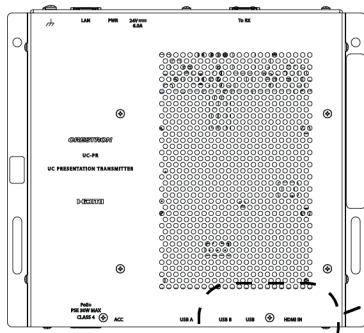
6. Connect the touch screen to the bottom of the UC Presentation Transmitter.



## Crestron Flex Advanced Small Room Conference System with Video Soundbar and Wall Mounted Control Interface for Microsoft Teams® Rooms

7. Connect a laptop to either the USB port or both the HDMI and USB B ports on the bottom of the UC Presentation Transmitter. Select a connection type based on the available ports on the user's laptop.

**NOTE:** If the USB port is used along with either the HDMI or USB B port, the UC Presentation Transmitter will communicate via the USB port by default.



- HDMI**  
6.56 ft (2 m) HDMI cable  
(for BYOD functionality)
- USB**  
6.56 ft (2 m) USB A - Micro B cable  
6.56 ft (2 m) USB cable  
(both for BYOD functionality)

8. Bundle the cables to the bracket assembly with the integrated cable tie wraps. The cable tie wraps are reusable.

## Crestron Flex Advanced Small Room Conference System with Video Soundbar and Wall Mounted Control Interface for Microsoft Teams® Rooms



### Configure

#### Apply Power

Press the power button on the bottom of the UC Engine and apply power to all of the other devices in the system.

#### Configure the Touch Screen

**NOTE:** If a direct connection was made during installation, skip to [Configure the System](#).

1. On a computer, open a web browser to the IP address of the touch screen. Log in and navigate to **Settings > Applications**.

#### NOTES:

- The touch screen (via the PoE injector) and computer must be on the same network switch and VLAN.
- A login with administrative rights for the touch screen is required.

2. Enter the following information in the appropriate fields:

- **Teams Video PC Address:** Enter the IP address or hostname of the UC Engine.

**NOTE:** The hostname is printed on a label affixed to the UC Engine (mounted on the UC bracket assembly).

- **Teams Video PC Port:** By default, port number 49500 is used. If a different port number has been configured on the UC Engine, enter that port number instead.
- **Teams Video Username:** Enter the login username for the UC Engine. (The default username is "admin".)
- **Teams Video Password:** Enter the login password for the UC Engine. (The default password is "sfb".)

3. Click **Save Changes**.

#### Configure the System

Use the touch screen and your Microsoft Teams or Skype account credentials to configure the UC Engine. For detailed information on deploying Microsoft Teams Rooms, refer to the [Microsoft Teams Rooms](#) documentation.

## Crestron Flex Advanced Small Room Conference System with Video Soundbar and Wall Mounted Control Interface for Microsoft Teams® Rooms



### Visit the Product Page

Scan the QR code to visit the product page.

#### UC-BX30-T-WM



[www.crestron.com/model/6511939](http://www.crestron.com/model/6511939)

#### UC-BX30-T-L-WM



[www.crestron.com/model/6512186](http://www.crestron.com/model/6512186)

### Additional Information

#### Original Instructions

The U.S. English version of this document is the original instructions. All other languages are a translation of the original instructions.

Crestron product development software is licensed to Crestron dealers and Crestron Service Providers (CSPs) under a limited nonexclusive, nontransferable Software Development Tools License Agreement. Crestron product operating system software is licensed to Crestron dealers, CSPs, and end-users under a separate End-User License Agreement. Both of these Agreements can be found on the Crestron website at [www.crestron.com/legal/software\\_license\\_agreement](http://www.crestron.com/legal/software_license_agreement).

The product warranty can be found at [www.crestron.com/warranty](http://www.crestron.com/warranty).

The specific patents that cover Crestron products are listed at [www.crestron.com/legal/patents](http://www.crestron.com/legal/patents).

Certain Crestron products contain open source software. For specific information, visit [www.crestron.com/opensource](http://www.crestron.com/opensource).

Crestron, the Crestron logo, DigitalMedia, and XiO Cloud are either trademarks or registered trademarks of Crestron Electronics, Inc. in the United States and/or other countries. ASUS is either a trademark or registered trademark of ASUSTeK Computer Inc. in the United States and/or other countries. HDMI is either a trademark or registered trademark of HDMI Licensing LLC in the United States and/or other countries. Lenovo and ThinkSmart are either trademarks or registered trademarks of Lenovo in the United States and/or other countries. Microsoft 365, Microsoft Exchange Server, Microsoft Teams, and Skype are either trademarks or registered trademarks of Microsoft Corporation in the United States and/or other countries. DisplayPort and VESA are either trademarks or registered trademarks of Video Electronics Standards Association in the United States and/or other countries. Other trademarks, registered trademarks, and trade names may be used in this document to refer to either the entities claiming the marks and names or their products. Crestron disclaims any proprietary interest in the marks and names of others. Crestron is not responsible for errors in typography or photography.

©2021 Crestron Electronics, Inc.

Doc. 8945B

06/09/21