

## Crestron Flex Advanced Medium Room Upgrade Solution with Microsoft Teams® Rooms

The UC-MX50-T-UPGRD solution provides all of the necessary components to upgrade a deployed Crestron Flex tabletop conference device and camera to a complete video conference system for use with Microsoft Teams® Rooms software. It supports single or dual video displays and features a UC bracket assembly, cables, and power supplies.

### Minimum Requirements:

- A Crestron Flex tabletop conference device and camera solution ([CCS-UC-1-X KIT](#))
- A video display (not included) connected to the UC Engine. A second display is optional.
- A Microsoft Teams Rooms provisioned or Skype® for Business account (not included)
- An environment running Microsoft Exchange Server® software (2013 SP1 or later for on-premises installation or Microsoft 365® software for Cloud) for scheduling and/or Skype for Business 2015 (on-premises installation or Microsoft 365 software for Cloud) (not included)



### In the Box

#### UC Bracket Assembly

- |   |   |
|---|---|
| 1 | UC Bracket Assembly with UC Engine and HDMI® or AV over CAT5 content ingest (UC-BRKT-260-P-T-ASSY, 6512691) |
| 2 | Anchor, Drywall, Plastic, 3/8 in. x 1/2 in. (9.5 mm x 12.7 mm) (2052565)                                    |
| 1 | Key, Anchor (4529654)   |
| 1 | Power pack (2045870)  |

2 Screw, 8-AB x 1-1/2 in. (38.1 mm), Pan Head, Combo (2052567)

4 Tie Wrap (2047935)

#### Additional Items

1 Camera wall mount kit (6510998)

1 Cable, CAT6a, RJ-45 - RJ-45, 20 ft (6.1 m) (6507640)

1 Cable, CAT5e, RJ-45 - RJ-45, 7 ft (2.1 m) (6509924)

1 Cable, DisplayPort™ to HDMI, 6 ft (1.8 m) (6508282)



## Configure the Conference Device

Prior to making system connections, deployed conference devices must be configured to operate as part of a complete Microsoft Teams system. Some deployed conference devices may be operating in Crestron Default mode. Ensure that the conference device operates in Microsoft Teams mode, and update device firmware as described below.

To configure the conference device:

1. On a computer, open a web browser to the IP address displayed on the conference device.

#### NOTES:

- The device and computer must be on the same network switch and VLAN.
  - A login with administrative rights for the device is required.
2. Log in to the device and navigate to **DEVICE > Applications**.
  3. From the **Application Mode** drop down menu, select **Teams Video**.
  4. Click **Save Changes**. The conference device will reboot in Microsoft Teams mode and log out all users.

## Crestron Flex Advanced Medium Room Upgrade Solution with Microsoft Teams® Rooms

5. Download the latest CCS-UC-1-T-V firmware from [www.crestron.com/firmware](http://www.crestron.com/firmware).
6. Log in to the device and navigate to **DEVICE > Device Management**.
7. In the **Firmware** section, select **Firmware Upgrade**. Upload the firmware downloaded in step 5. When the firmware upload is complete, the device will reboot and log out all users.
8. Log in to the device and navigate to **DEVICE > Device Management**.
9. In the **Maintenance** section, select **Restore** to reset the device to the factory default settings.

For system configuration, refer to [Configure](#).



### Mount Devices

#### Mount the UC Bracket Assembly

Mount the UC Bracket Assembly to VESA® compliant display devices, a wall, or other building structure. Anchors and screws are supplied for installation on walls 3/8 in. (9.5 mm) to 3/4 in. (19 mm) thickness.

**CAUTION:** Preinstalled screws may protrude from the back of the UC Bracket Assembly. Exercise caution when handling the UC Bracket Assembly to avoid scratching or damaging surfaces.

**NOTE:** The integrated cable tie wraps are reusable. Avoid damaging the cable tie wraps.

#### Mount the Camera

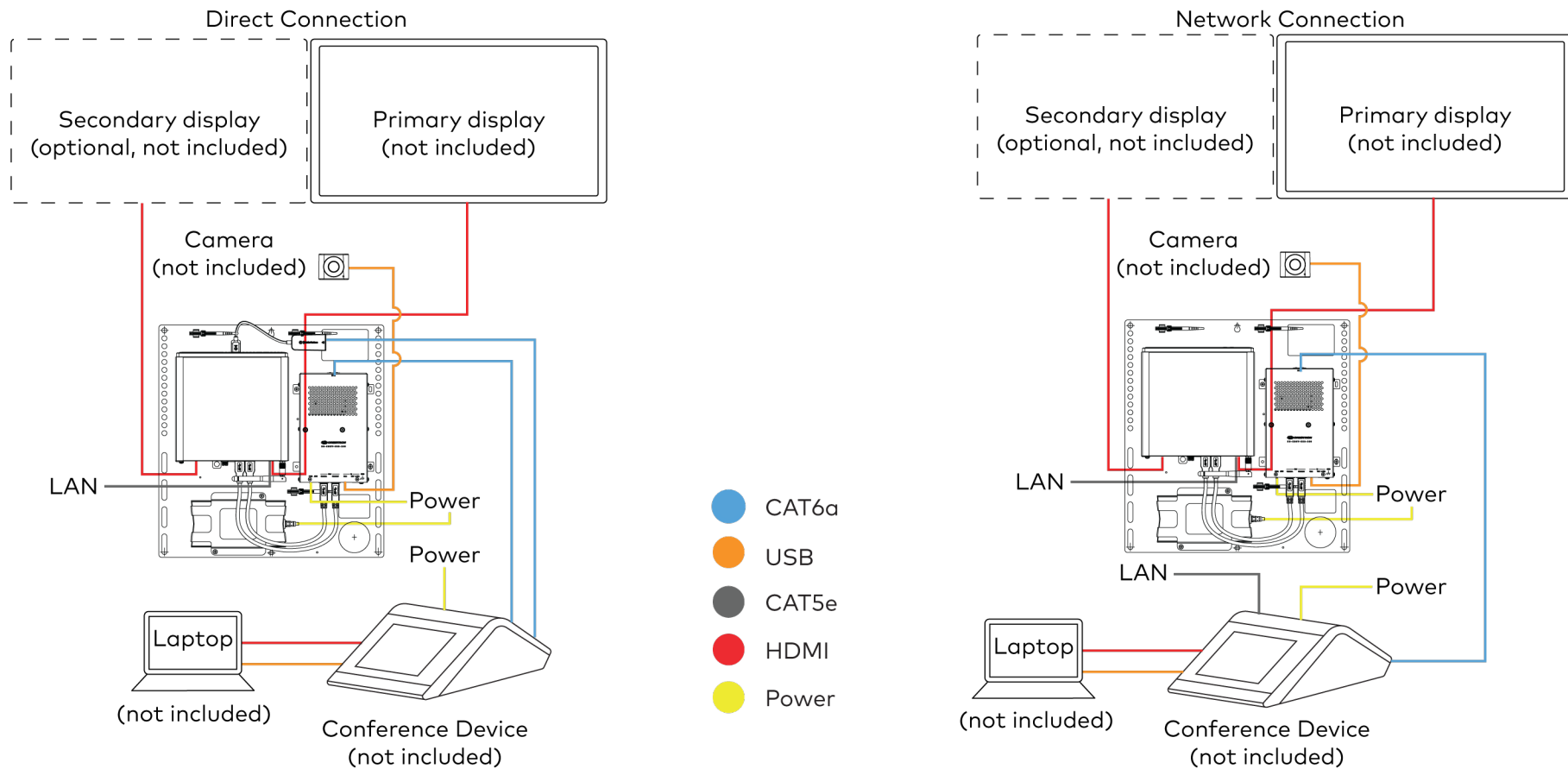
Mount the camera included with the conference device according to the [UC-CAM-WMK Quick Start](#) (Doc. 8257).

## Crestron Flex Advanced Medium Room Upgrade Solution with Microsoft Teams® Rooms

### Connect

### System Overview

When connections are complete, the system appears as shown below. Refer to [Make Connections](#) for detailed connection instructions.

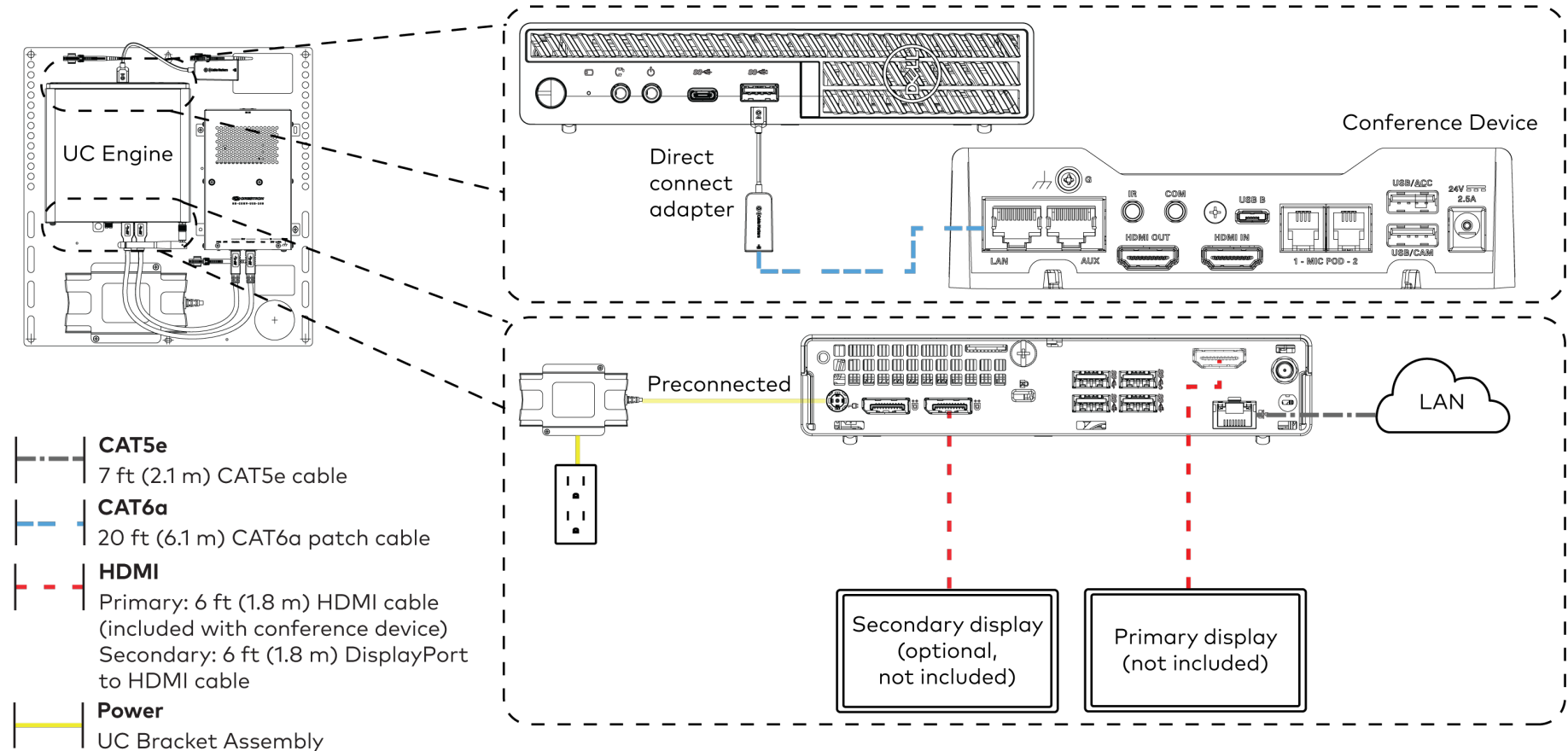


## Crestron Flex Advanced Medium Room Upgrade Solution with Microsoft Teams® Rooms

### Make Connections

1. Make UC Engine connections as shown in the following illustrations. The conference device can communicate with the UC Engine over a direct connection or a network connection. Select one of the connection types as described below.
  - Make a direct connection for simple installation and setup. Only use the direct connect adapter to connect the conference device to the UC Engine. Do not use the direct connect adapter to connect the UC Engine to the network.

#### Direct Connection

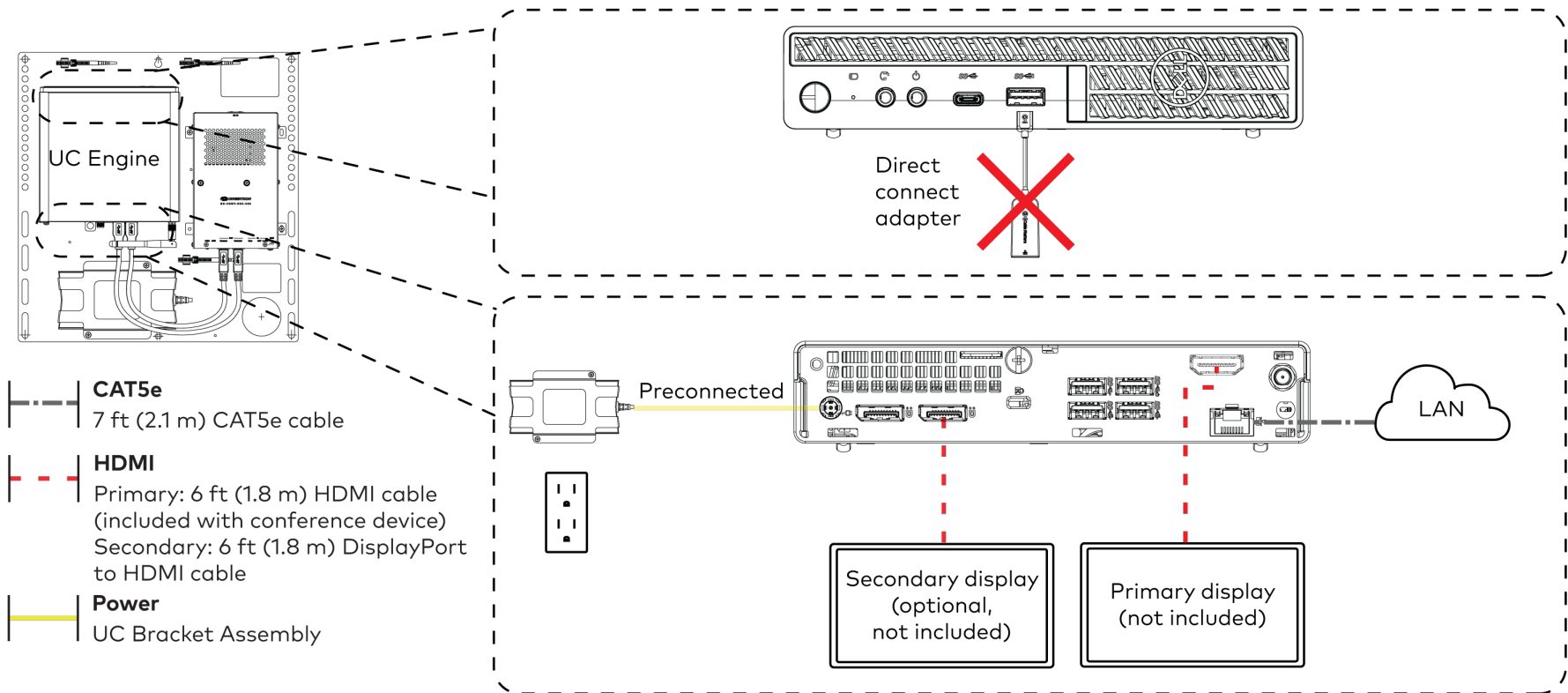


## Crestron Flex Advanced Medium Room Upgrade Solution with Microsoft Teams® Rooms

- Make a network connection if the system is to be managed by the XiO Cloud® service.

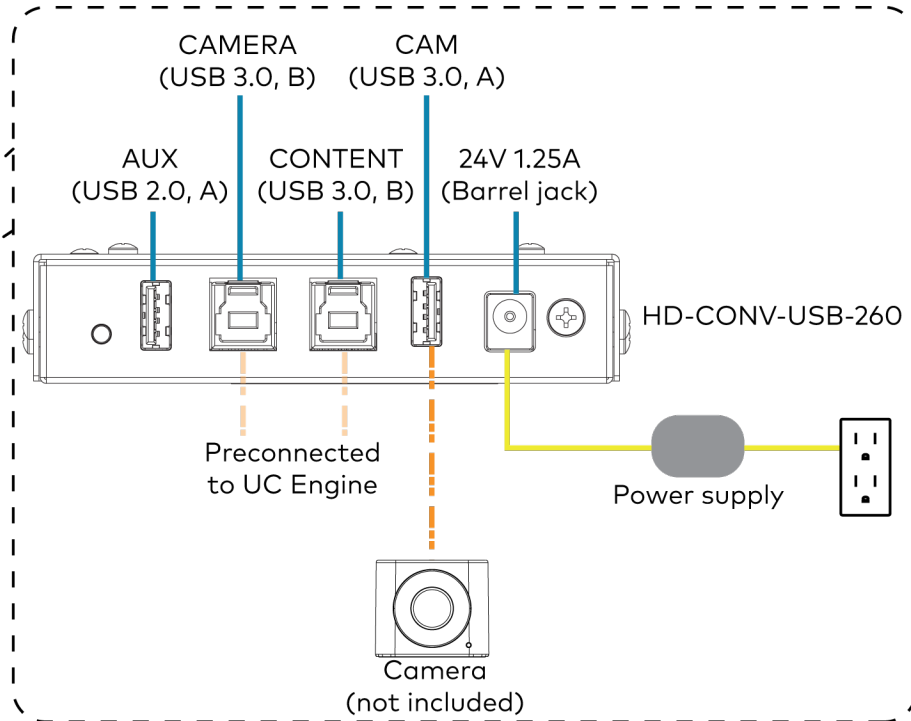
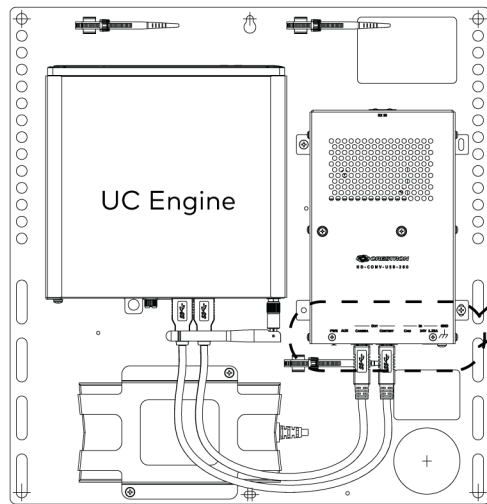
**NOTE:** When a network connection is used, disconnect the direct connect adapter from the UC Engine.

### Network Connection



## Crestron Flex Advanced Medium Room Upgrade Solution with Microsoft Teams® Rooms

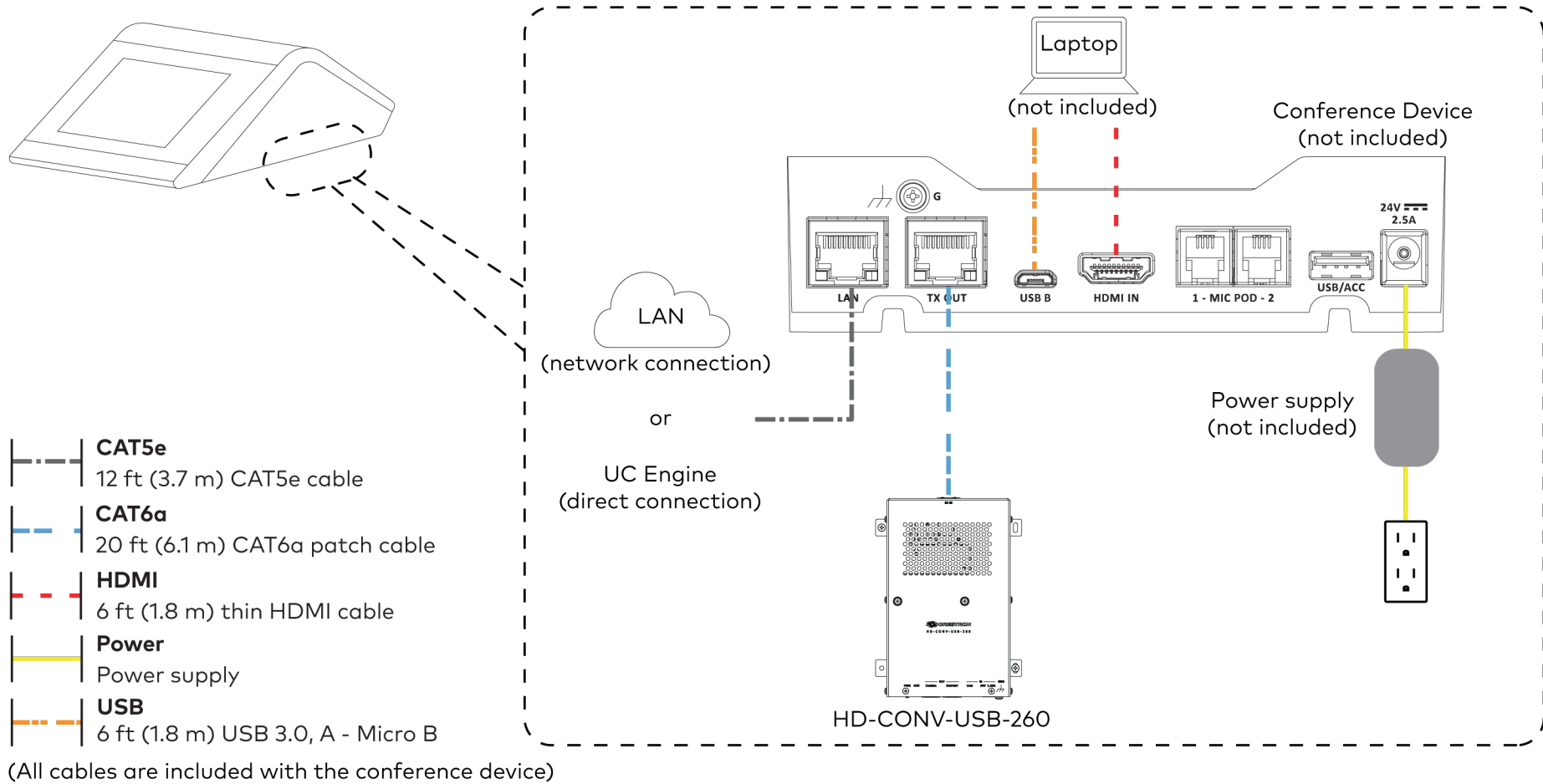
2. Connect the power supply and camera to the bottom of the content ingest device (HD-CONV-USB-260). Connect the power supply to an AC power outlet.



- Power**  
Power supply
- USB**  
6 ft (1.8 m) USB 3.0, right angle USB-C to A  
(included with conference device)

## Crestron Flex Advanced Medium Room Upgrade Solution with Microsoft Teams® Rooms

3. Make a network or direct connection on the bottom of the conference device as described in step 1. Make the remaining content ingest, laptop, and power connections. Connect the conference device's power supply to an AC power outlet.



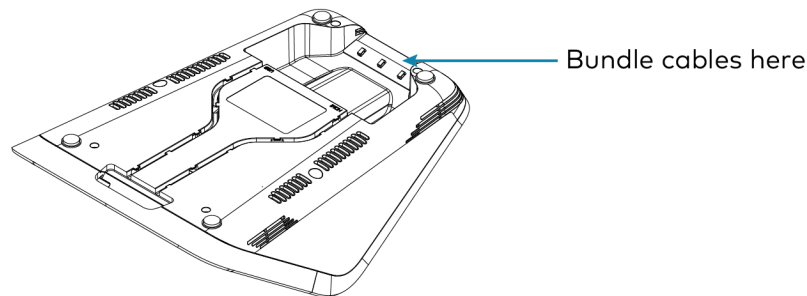
4. Bundle the cables to the bracket assembly with the integrated cable tie wraps. The cable tie wraps are reusable.

## Crestron Flex Advanced Medium Room Upgrade Solution with Microsoft Teams® Rooms



## Bundle Cables

Bundle the cables together and use a provided tie wrap to secure the bundle to one of the positions on the cable retention plate at the rear of the device. Avoid bundling power and data cables together.



## Configure

### Apply Power

Press the power button on the bottom of the UC Engine and apply power to all of the other devices in the system.

### Complete the Conference Device Configuration

**NOTE:** If a Direct Connection was made between the conference device and the UC Engine, skip to [Configure the System](#).

1. On a computer, open a web browser to the IP address displayed on the conference device.

#### NOTES:

- The device and computer must be on the same network switch and VLAN.
- A login with administrative rights for the device is required.

2. Log in to the device and navigate to **DEVICE > Applications**.
3. Enter the following information in the appropriate fields:
  - **Teams Video PC Address:** Enter the IP address or hostname of the UC Engine.

**NOTE:** The hostname is printed on a label affixed to the UC Engine.

- **Teams Video PC Port:** By default, port number 49500 is used. If a different port number has been configured on the UC Engine, enter that port number instead.
  - **Teams Video Username:** Enter the login username for the UC Engine. (The default username is "admin".)
  - **Teams Video Password:** Enter the login password for the UC Engine. (The default password is "sfb".)
4. Click **Save Changes**.

For more information, refer to the [CCS-UC-1 Product Manual](#) (Doc. 7844).

## Configure the System

Use the conference device and your Microsoft Teams or Skype account credentials to configure the UC Engine. For detailed information on deploying Microsoft Teams Rooms, refer to the [Microsoft Teams Rooms](#) documentation.



## Crestron Flex Advanced Medium Room Upgrade Solution with Microsoft Teams® Rooms



## Visit the Product Page

Scan the QR code to visit the product page.

UC-MX50-T-UPGRD



[www.crestron.com/model/6511957](http://www.crestron.com/model/6511957)

## Additional Information

**Original Instructions**

The U.S. English version of this document is the original instructions. All other languages are a translation of the original instructions.

Crestron product development software is licensed to Crestron dealers and Crestron Service Providers (CSPs) under a limited nonexclusive, nontransferable Software Development Tools License Agreement. Crestron product operating system software is licensed to Crestron dealers, CSPs, and end-users under a separate End-User License Agreement. Both of these Agreements can be found on the Crestron website at [www.crestron.com/legal/software\\_license\\_agreement](http://www.crestron.com/legal/software_license_agreement).

The product warranty can be found at [www.crestron.com/warranty](http://www.crestron.com/warranty).

The specific patents that cover Crestron products are listed at [www.crestron.com/legal/patents](http://www.crestron.com/legal/patents).

Certain Crestron products contain open source software. For specific information, visit [www.crestron.com/opensource](http://www.crestron.com/opensource).

Crestron, the Crestron logo, DigitalMedia, and XiO Cloud are either trademarks or registered trademarks of Crestron Electronics, Inc. in the United States and/or other countries. HDMI is either a trademark or registered trademark of HDMI Licensing LLC in the United States and/or other countries. Microsoft 365, Microsoft Exchange Server, Microsoft Teams, and Skype are either trademarks or registered trademarks of Microsoft Corporation in the United States and/or other countries. USB-C is either a trademark or registered trademark of USB Implementers Forum, Inc. in the United States and/or other countries. DisplayPort and VESA are either trademarks or registered trademarks of Video Electronics Standards Association in the United States and/or other countries. Other trademarks, registered trademarks, and trade names may be used in this document to refer to either the entities claiming the marks and names or their products. Crestron disclaims any proprietary interest in the marks and names of others. Crestron is not responsible for errors in typography or photography.

©2022 Crestron Electronics, Inc.

Doc. 9307A

04/28/22