

## Crestron Flex Advanced Tabletop Small Room Video Conference System for Zoom Rooms™ Software

The UC-MMX30-Z(-I) Crestron Flex advanced tabletop conferencing system provides small room video conference solution for use with Zoom Rooms™ software. It supports up to three video displays and features a Crestron Flex tabletop conference device, a UC presentation transmitter, a UC bracket assembly, and a collaboration camera.

**Minimum Requirements:**

- A video display (not included) connected to the UC Engine. A second or third display is optional.
- A Zoom Rooms account or activation code (not included)

**In the Box****Tabletop Conference Device**

- 1 Flex MM Tabletop Conference Device, Zoom Rooms software (6511615 or 6511616)
- 1 PoE+ Injector (2055605)
- 2 Cable, CAT5e, RJ-45 - RJ-45, 11.8 ft (3.6 m) (2056204)
- 1 Cable, USB 2.0, A - Micro B, 5.8 ft (1.8 m) (2055579)

**UC Presentation Transmitter**

- 1 Presentation transmitter (6510936)
- 1 Power pack (2056363) with cord (2001134)
- 1 Bracket, power supply (2056257)
- 1 Cable, USB to USB, 6.56 ft (2 m) (2056116)
- 1 Cable, HDMI®, 6.56 ft (2 m) (2056117)
- 1 Cable, USB 2.0, A to Micro B, 6.56 ft (2 m) (2055504)
- 8 Screw, 10-9 x 5/8 in. (15.9 mm), Pan Head, Phillips, Black (2054365)

**UC Bracket Assembly**

- 1 UC Bracket Assembly with UC Engine and HDMI® or AV over CAT5 content ingest (UC-BRKT-260-P-Z-ASSY, 6512692)
- 2 Anchor, Drywall, Plastic, 3/8 in. x 1/2 in. (9.5 mm x 12.7 mm) (2052565)
- 1 Key, Anchor (4529654)
- 1 Power pack (2045870)
- 2 Screw, 8-AB x 1-1/2 in. (38.1 mm), Pan Head, Combo (2052567)
- 4 Tie Wrap (2047935)

**Additional Items**

- 1 Collaboration camera (6510482)
- 1 Camera wall mount kit (6510998)
- 2 Cable, CAT6a, RJ-45 - RJ-45, 20 ft (6.1 m) (6507640)
- 1 Cable, CAT5e, RJ-45 - RJ-45, 7 ft (2.1 m) (6509924)
- 1 Cable, DisplayPort™ to HDMI, 6 ft (1.8 m) (6508282)
- 1 Cable, HDMI, 6 ft (1.8 m) (6503565)
- 1 Cable, USB 3.0, Right angle USB-C® to A, 6 ft (1.8 m) (6511591)



### Mount Devices

#### Mount the UC Bracket Assembly

Mount the UC Bracket Assembly to VESA® compliant display devices, a wall, or other building structure. Anchors and screws are supplied for installation on walls 3/8 in. (9.5 mm) to 3/4 in. (19 mm) thickness.

**CAUTION:** Preinstalled screws may protrude from the back of the UC Bracket Assembly. Exercise caution when handling the UC Bracket Assembly to avoid scratching or damaging surfaces.

**NOTE:** The integrated cable tie wraps are reusable. Avoid damaging the cable tie wraps.

#### Mount the UC Presentation Transmitter

Mount the UC Presentation Transmitter to the underside of a table using the supplied screws. The supplied screws support installation on tables with a thickness of 1 in. (25.4 mm) minimum.

#### Mount the Camera

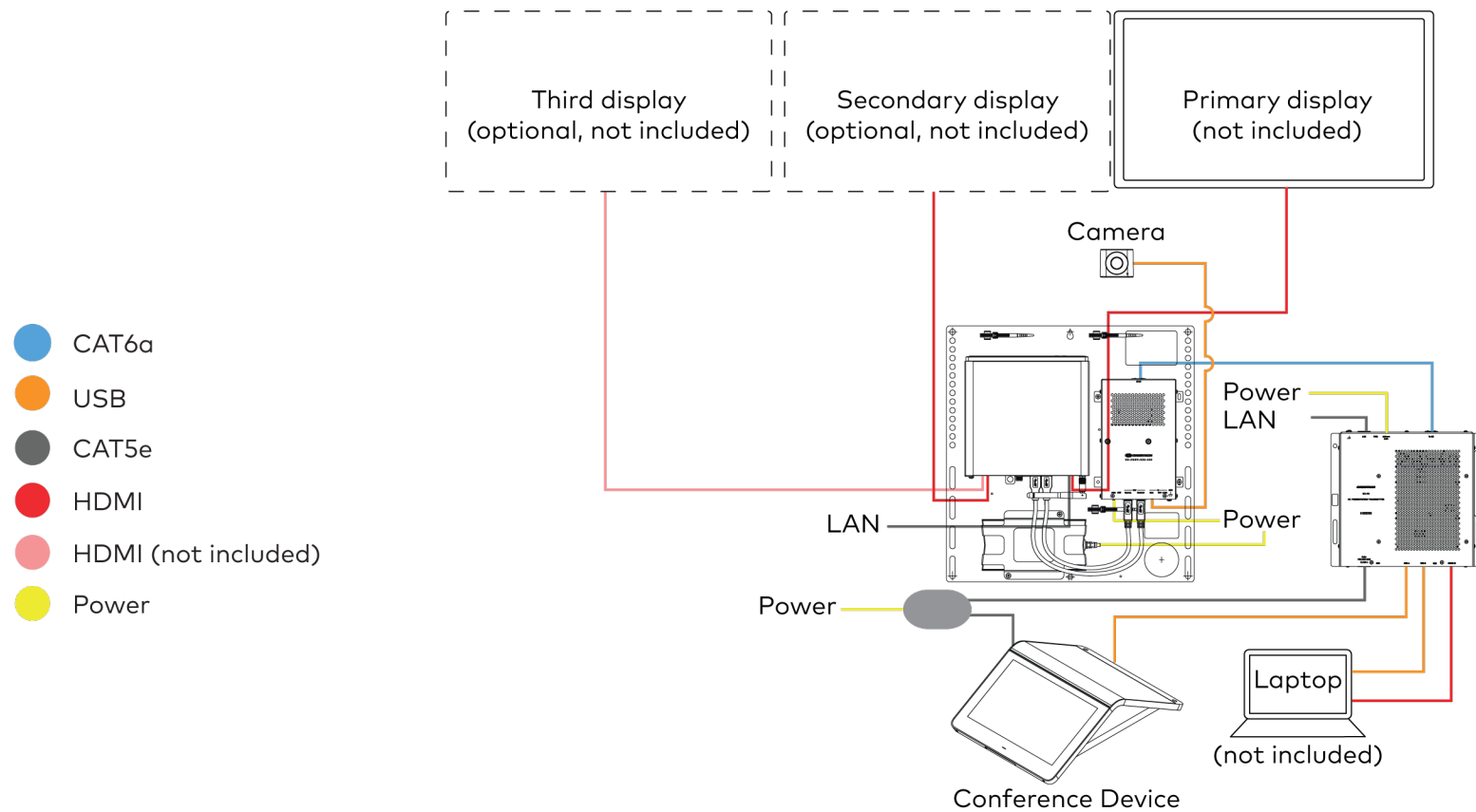
Mount the included camera according to the [UC-CAM-WMK Quick Start](#) (Doc. 8257).

## Crestron Flex Advanced Tabletop Small Room Video Conference System for Zoom Rooms™ Software

### Connect

### System Overview

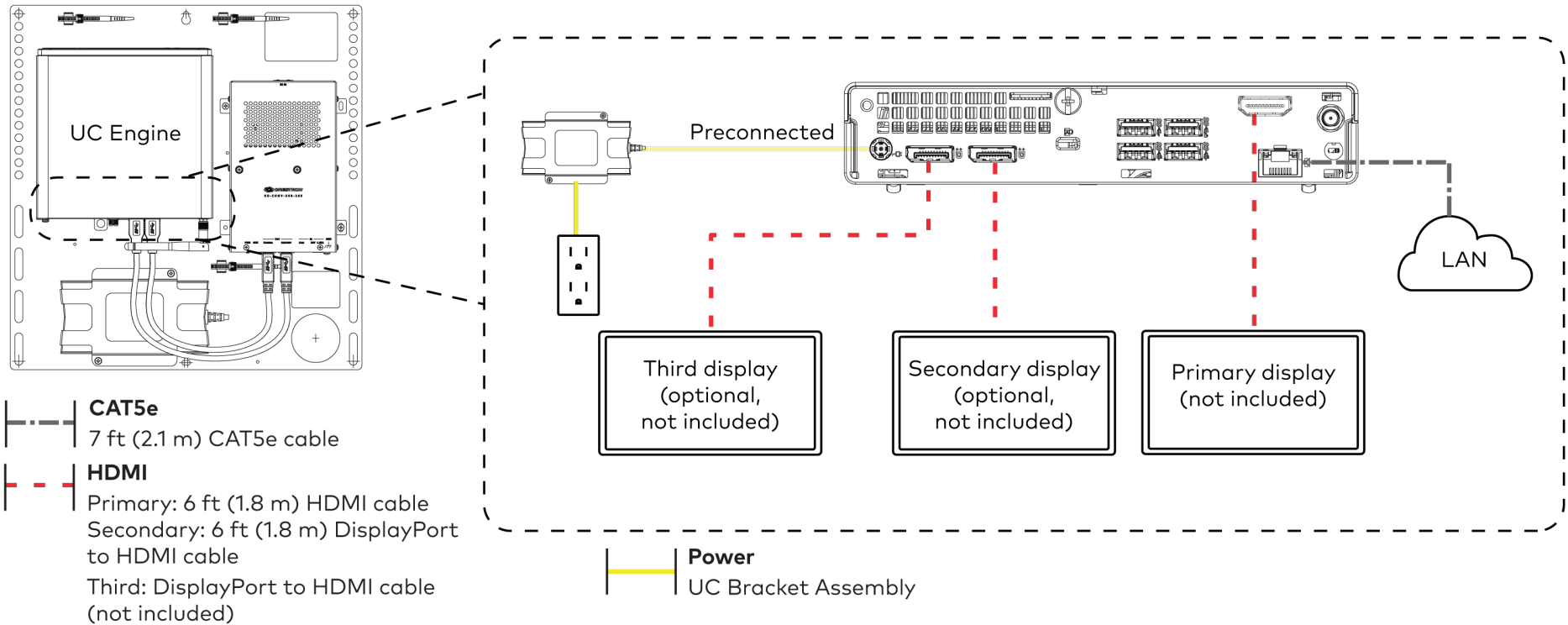
When connections are complete, the system appears as shown below. The laptop connections shown below may vary based on the selected connection method. Refer to [Make Connections](#) for detailed connection instructions.



## Crestron Flex Advanced Tabletop Small Room Video Conference System for Zoom Rooms™ Software

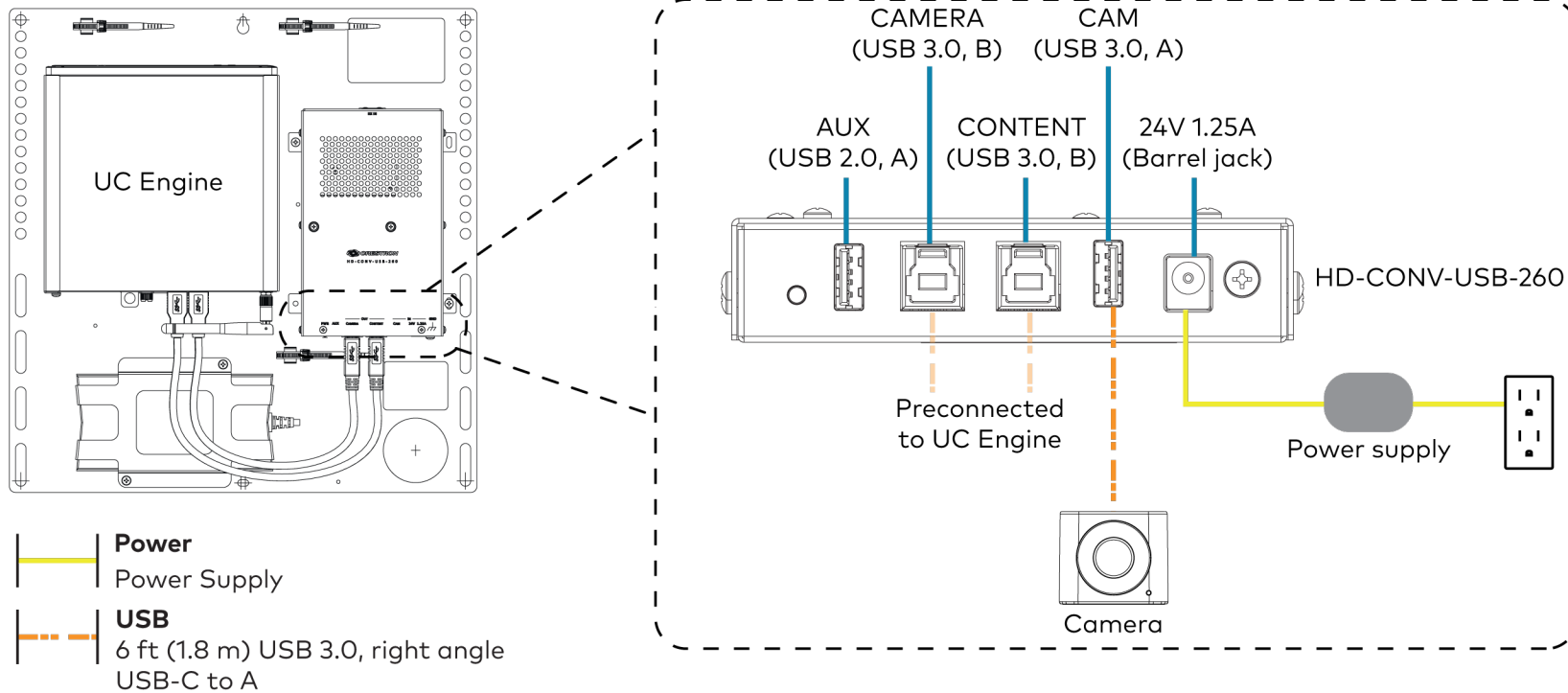
### Make Connections

1. Make UC Engine connections as shown in the following illustration.



## Crestron Flex Advanced Tabletop Small Room Video Conference System for Zoom Rooms™ Software

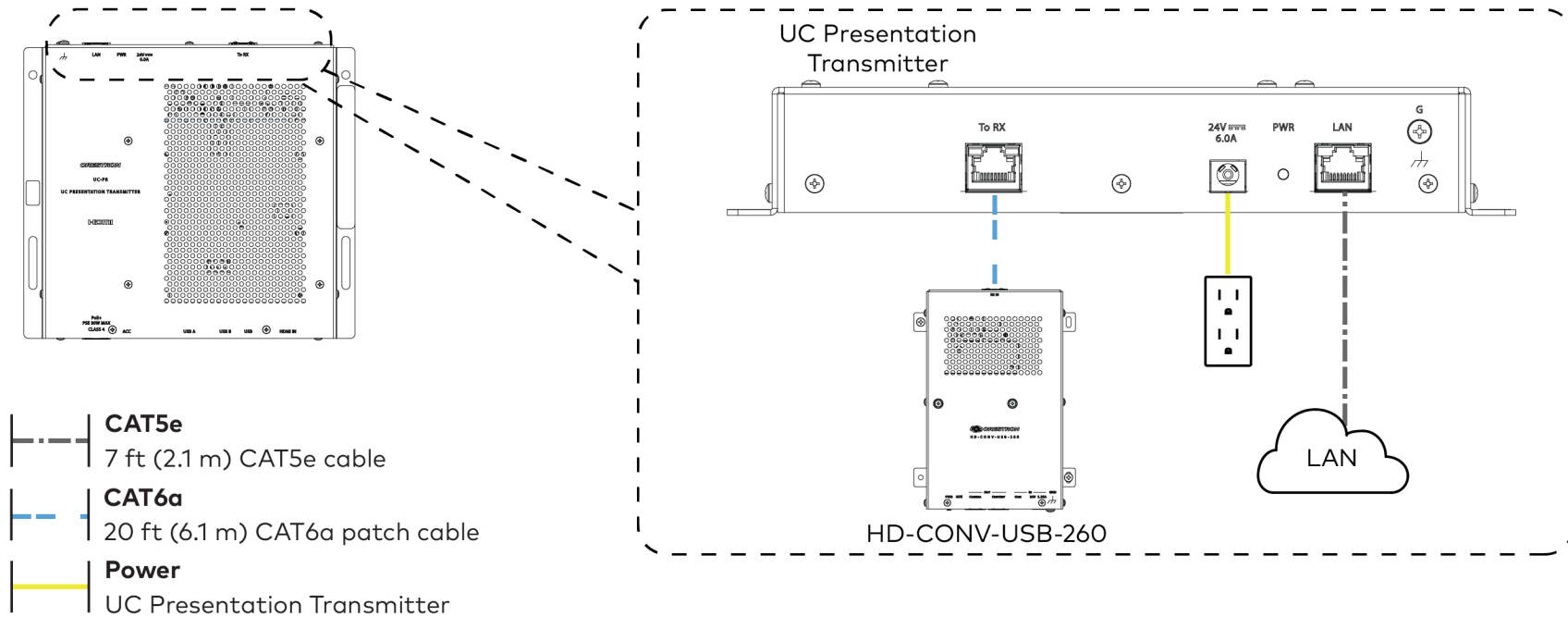
2. Connect the power supply and camera to the bottom of the content ingest device (HD-CONV-USB-260). Connect the power supply to an AC power outlet.



## Crestron Flex Advanced Tabletop Small Room Video Conference System for Zoom Rooms™ Software

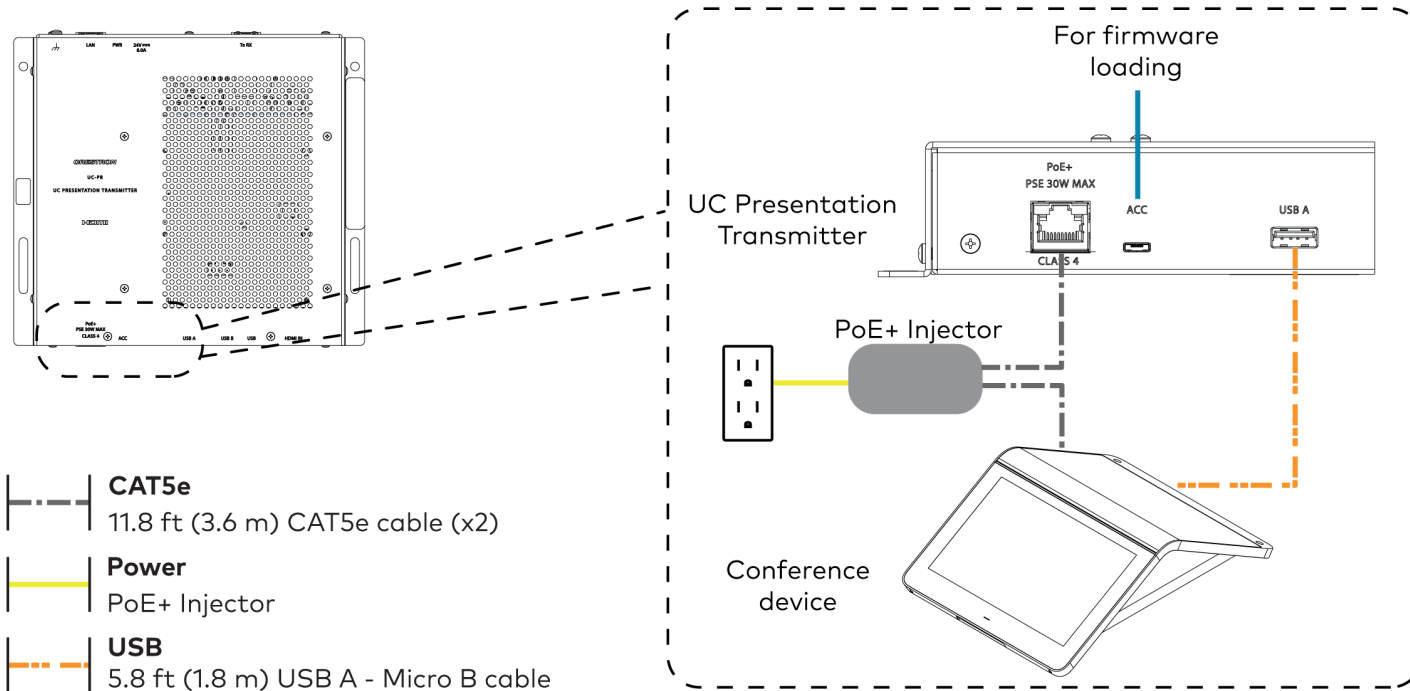
3. Connect power, the content ingest device (HD-CONV-USB-260), and LAN to the top of the UC Presentation Transmitter.

**NOTE:** If a longer cable between the UC Presentation Transmitter and the HD-CONV-USB-260 is needed, use a DigitalMedia™ Ultra cable only. The maximum supported cable length is 300 ft (91.4 m).



## Crestron Flex Advanced Tabletop Small Room Video Conference System for Zoom Rooms™ Software

4. Connect the conference device using the included PoE+ injector and USB A to Micro-B cable to the bottom of the UC Presentation Transmitter.

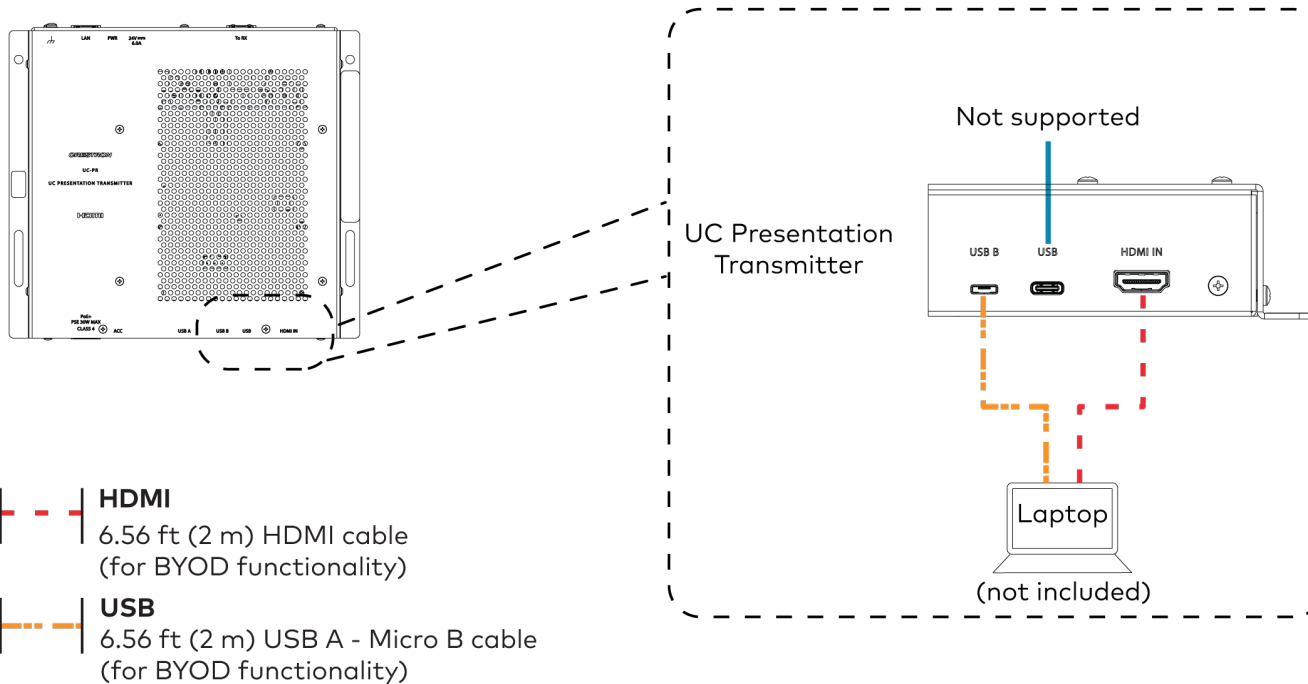


## Crestron Flex Advanced Tabletop Small Room Video Conference System for Zoom Rooms™ Software

5. Connect a laptop to either the USB port or both the HDMI and USB B ports on the bottom of the UC Presentation Transmitter. Select a connection type based on the available ports on the user's laptop.

### NOTES:

- When connecting a laptop for BYOD presentation, select the audio source on the connected laptop.



6. Bundle the cables to the bracket assembly with the integrated cable tie wraps. The cable tie wraps are reusable.



## Crestron Flex Advanced Tabletop Small Room Video Conference System for Zoom Rooms™ Software



## Configure

### Apply Power

Press the power button on the bottom of the UC Engine and apply power to all of the other devices in the system.

### Log In to the Zoom Rooms Service

Use the conference device to sign in to the Zoom Rooms service using an activation code or a Zoom Room Sign-In.

1. Tap **Zoom** and then tap **OK**. The device will reboot.
2. Enter the pairing code shown on the display to pair the device with the UC Engine. The Zoom Rooms controller app is displayed.
3. Log in to the Zoom Rooms service with an activation code or Zoom Rooms Credentials (email and password).
  - **Activation Code:**
    - a. Tap **Enter Activation Code**.
    - b. Enter the 16-digit activation code provided by the administrator to activate the Zoom Room that is assigned to the activation code. The Zoom Rooms Conference Room screen is shown on the display.
  - **Sign In:**
    - a. Tap **Sign In**.
    - b. Enter the Zoom Room credentials and tap **Sign In**.
    - c. Select the conference room name from the list and tap **Next**. The Zoom Rooms Conference Room screen is shown on the display.
4. Tap **Settings**. If a password is required, enter the password (the default password is "1234"). The **Settings** screen is displayed.

5. Tap **Microphone** and select the conference device as the source.
6. Tap **Speaker** and select the conference device as the source.
7. Tap **Meet Now** to exit.

### Configure the System

Connect a USB keyboard and mouse (sold separately) to a USB port on the UC Engine to configure system features. For detailed information on using Zoom Rooms, refer to the [Zoom Rooms Help Center](#).

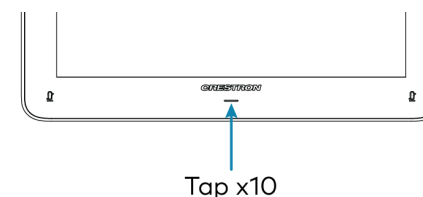


## Factory Reset

A factory reset may be performed when troubleshooting the conference device.

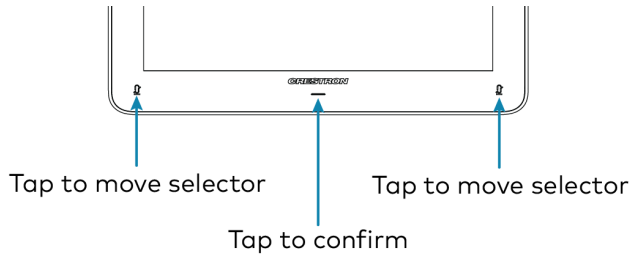
To perform a factory reset on the conference device:

1. Power cycle the device by disconnecting and reconnecting the CAT5e cable from the conference device.
2. When the device powers on and the LEDs flash green, tap the button below the Crestron® logo 10 times. A factory reset confirmation screen appears.



## Crestron Flex Advanced Tabletop Small Room Video Conference System for Zoom Rooms™ Software

3. Tap one of the mute buttons to move the selector on the factory reset confirmation screen to **Yes**. Tap the button below the Crestron logo to confirm the factory reset.



4. The device will reboot.



### Visit the Product Page

Scan the QR code to visit the product page.

UC-MMX30-Z



[www.crestron.com/model/6511631](http://www.crestron.com/model/6511631)

UC-MMX30-Z-I



[www.crestron.com/model/6511632](http://www.crestron.com/model/6511632)

## Crestron Flex Advanced Tabletop Small Room Video Conference System for Zoom Rooms™ Software

## Additional Information

### Original Instructions

The U.S. English version of this document is the original instructions. All other languages are a translation of the original instructions.

Crestron product development software is licensed to Crestron dealers and Crestron Service Providers (CSPs) under a limited nonexclusive, nontransferable Software Development Tools License Agreement. Crestron product operating system software is licensed to Crestron dealers, CSPs, and end-users under a separate End-User License Agreement. Both of these Agreements can be found on the Crestron website at [www.crestron.com/legal/software\\_license\\_agreement](http://www.crestron.com/legal/software_license_agreement).

The product warranty can be found at [www.crestron.com/warranty](http://www.crestron.com/warranty).

The specific patents that cover Crestron products are listed at [www.crestron.com/legal/patents](http://www.crestron.com/legal/patents).

Certain Crestron products contain open source software. For specific information, visit [www.crestron.com/opensource](http://www.crestron.com/opensource).

Crestron, the Crestron logo, and DigitalMedia are either trademarks or registered trademarks of Crestron Electronics, Inc. in the United States and/or other countries. HDMI is either a trademark or registered trademark of HDMI Licensing LLC in the United States and/or other countries. USB-C is either a trademark or registered trademark of USB Implementers Forum, Inc. in the United States and/or other countries. DisplayPort and VESA are either trademarks or registered trademarks of Video Electronics Standards Association in the United States and/or other countries. Zoom Rooms is either a trademark or registered trademark of Zoom Video Communications, Inc. in the United States and/or other countries. Other trademarks, registered trademarks, and trade names may be used in this document to refer to either the entities claiming the marks and names or their products. Crestron disclaims any proprietary interest in the marks and names of others. Crestron is not responsible for errors in typography or photography.

©2022 Crestron Electronics, Inc.

Doc. 9293A

04/28/22