

The Crestron® [MC4-R](#) and [MC4-R-I](#) 4-Series media room controllers provide secure, high-performance, cost-effective control processors and interfaces with the embedded Crestron Home™ operating system. Their small form factor and versatile mounting options make them ideal for smaller Crestron Home systems such as single-room systems, small to medium-sized homes, and MDUs (multidwelling units). The control system includes a built-in infiNET EX® and ER wireless gateway for acquiring wireless devices as well as numerous control ports for controlling wired devices.

NOTE: The MC4-R and MC4-R-I are functionally similar. For simplicity within this guide, the term "control system" is used to refer to both the MC4-R and MC4-R-I unless otherwise noted.



In the Box

- 1 MC4-R or MC4-R-I, 4-Series Media Room Controller

Additional Items

- 1 Rack Ear, Left (2053897)
- 1 Rack Ear, Right (2053896)
- 4 Nut, 10-32 (2004889)
- 1 Antenna, Dual Band, 2.4/5.8 GHz (2052945)
- 1 Cable, CAT5e, Patch, 5 ft (1.52 m) (2022311)
- 2 Connector, 3-Pin (2003575)
- 4 Connector, 4-Pin (2003576)
- 4 IR Emitter with Terminal Block Connector (4500152)



Install the Device

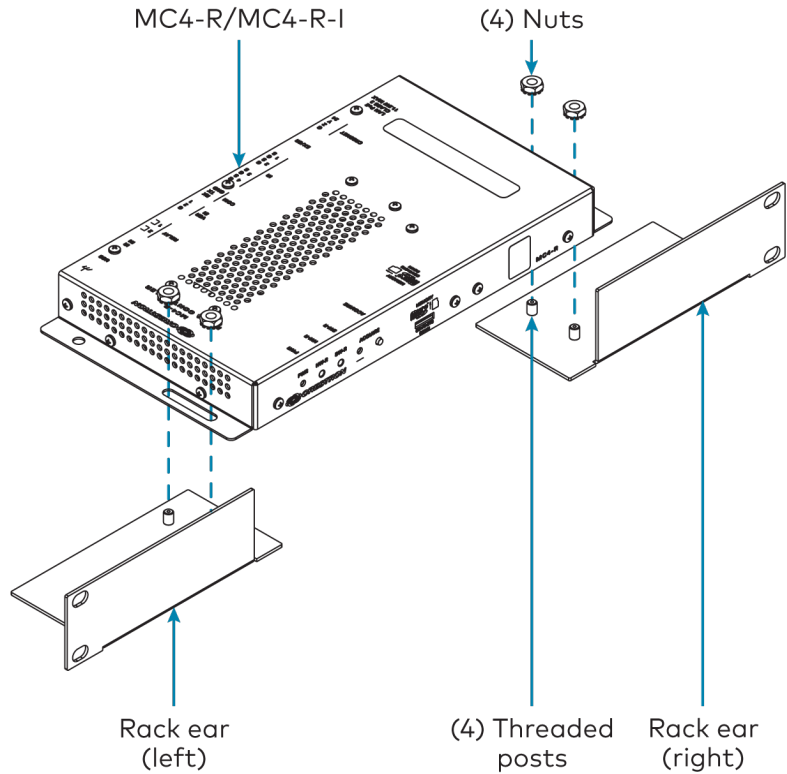
The control system may be mounted into a rack or onto a flat surface.

Rack Mounting

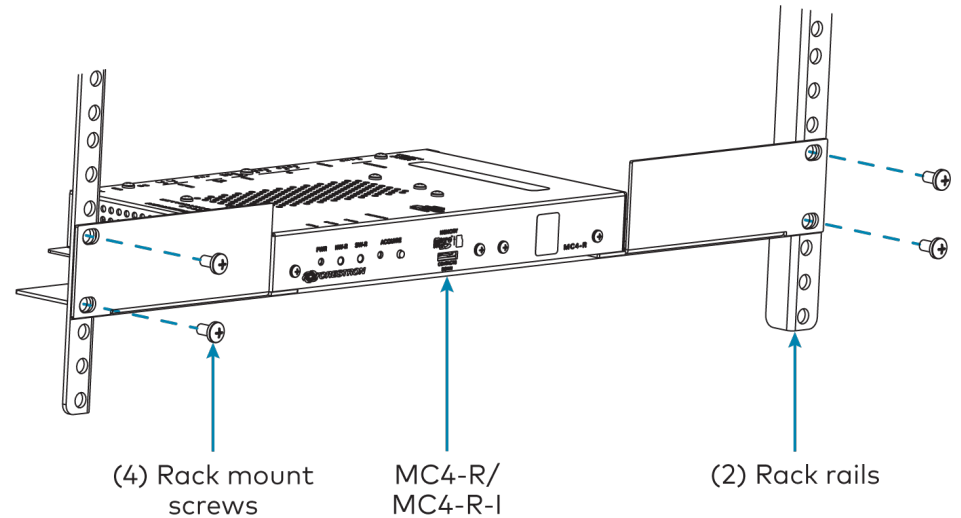
The control system occupies 1U of rack space when using the provided rack ears.

1. Attach the rack ears to the device:
 - a. Insert the two threaded posts on the left rack ear up and into the front opening in the left mounting flange of the control system. Repeat this step for the right rack ear.
 - b. Attach the four provided nuts to the threaded posts to secure the rack ears to the control system.

Refer to the following image for rack ear placement.



2. Secure the control system to the rack rails using four rack mounting screws (not provided).



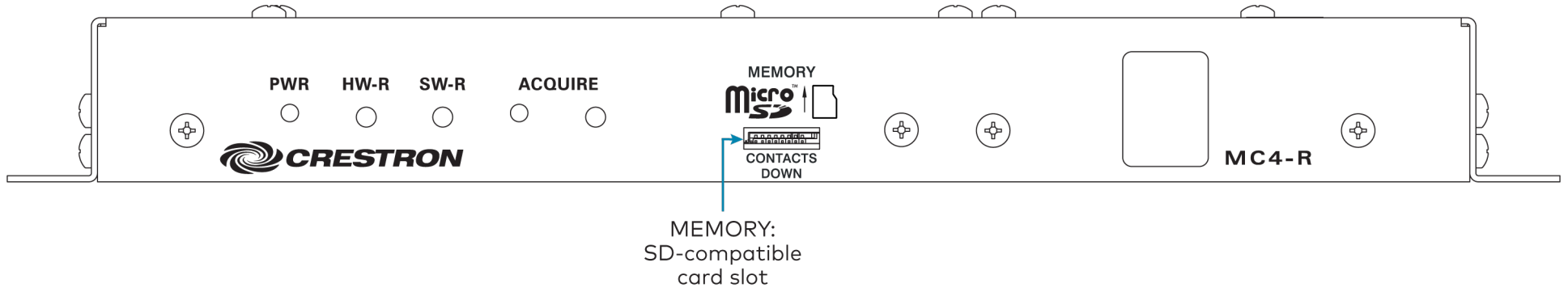
Surface Mounting

Use four mounting screws (not provided) to mount the control system to a flat surface such as a wall or under a table. The control system can also be mounted behind a flat panel display or similar equipment.

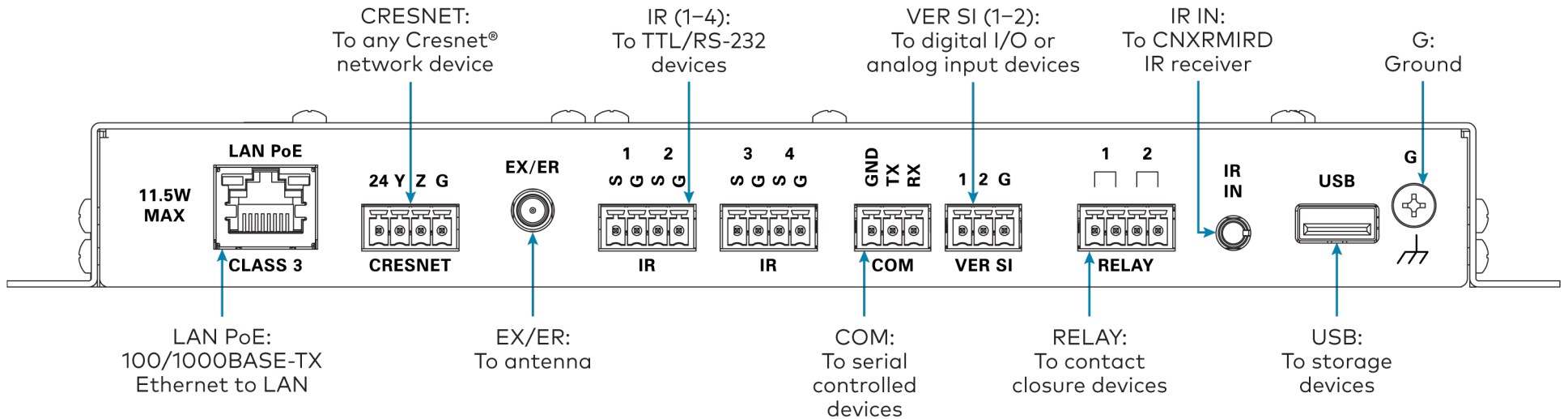
Connect the Device

Make all necessary connections to the control system as shown below.

Front Panel Connections



Rear Panel Connections



NOTE: Ensure that the included SD card is seated fully in the **MEMORY** slot prior to powering on the control system.

Observe the following when connecting the control system:

- The control system is powered over PoE (Power over Ethernet) via a Crestron PoE injector (PWE-4803RU) or a Crestron PoE switch (CEN-SW-POE-5 or CEN-SWPOE-16). All PoE equipment is sold separately.
- The included cables may not be extended.
- Mount the included antenna per the guidelines described in [Mount the Antenna](#).
- Connect the chassis ground lug to a known earth ground circuit (such as building steel) to ensure that the control system is grounded properly.
- Apply power after all connections have been made.



Mount the Antenna

The included antenna should be placed in a location that maximizes signal strength and limits impedance. Refer to the Best Practices for Installation and Setup of Crestron RF Products (Doc. 6689) at www.crestron.com/manuals.

If installing the control system in a rack enclosure, the antenna should be mounted outside of the enclosure using the Crestron ANT-EXT-10 (sold separately). For more information, refer to the ANT-EXT-10 Installation Guide (Doc. 7047) at www.crestron.com/manuals.



Install IR Emitters (Optional)

The control system ships with four IR emitters, which adhere to the IR sensor window of a display, optical disc player, or any other IR-controlled device. Each IR emitter has a 2-pin terminal block that connects to the **IR - SERIAL** port on the control system, providing a one-way IR control interface to the connected device.

NOTE: The white-traced wire on the IR emitter is positive and connects to one of the IR port pins labeled "S."

Position the IR Emitter

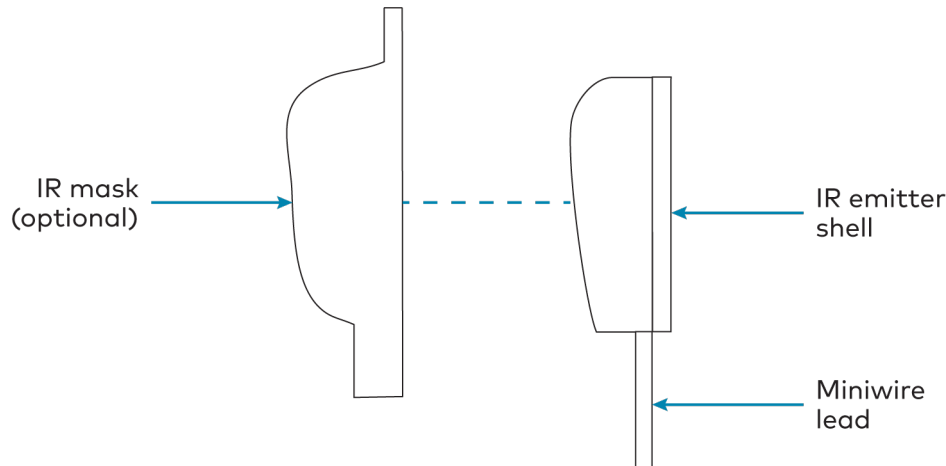
The IR emitter works best for most devices when positioned directly over the device IR sensor. However, operation is more consistent for some devices when the IR emitter is offset one or two inches from the device IR sensor.

To position the IR emitter, send commands from the control system while moving the IR emitter around the front panel of the device. When operation is consistent and reliable, attach the IR emitter using the procedure described in [Attach the IR Emitter](#).

Attach the IR Mask

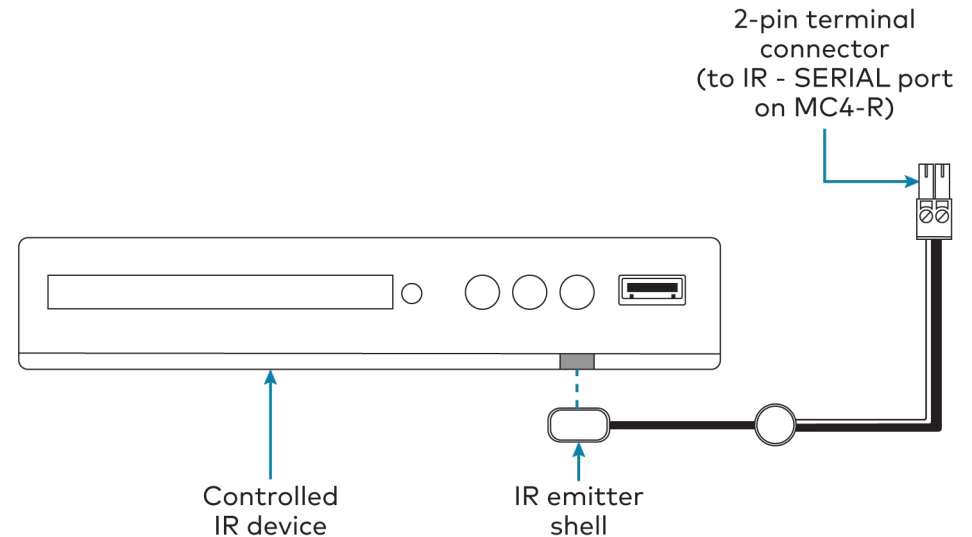
Attach the IR mask (packaged with the IR emitter) when two or more identical devices are being controlled using IR. The IR mask prevents stray IR output from controlling another device accidentally.

Place the IR mask over the IR emitter shell as shown in the following illustration. Do not remove the clear adhesive strips from the IR emitter shell or the IR mask.



Attach the IR Emitter

1. Peel off the clear adhesive strip on the back of the IR emitter shell and the IR mask (if attached).
2. Affix the IR emitter by pressing it firmly to the desired location on the front panel of the controlled device.



If the IR emitter must be removed and repositioned for any reason, it may be necessary to replace the adhesive on the IR emitter with a new piece of two-sided tape.

NOTE: The IR emitter is a pure infrared emitter that does not emit any visible light. To test that the IR emitter is working properly, trigger an IR command from the control system. Then, use a digital camera device (such as a smart phone) to record a video of the IR emitter while it is being triggered. If the IR signal is visible in the video during playback, the IR emitter is working properly.



Assign the RF Channel

Set the RF channel of the control system prior to operation. The control system can operate on channels 11 through 26. Crestron recommends using RF channel 15 or 20. The default RF channel is 15.

For optimum performance when installing the control system in a Wi-Fi® network environment, do not set the RF channel within a Wi-Fi channel band. Refer to the information below when choosing the RF channel in a Wi-Fi environment:

- Gateway channels 11 through 14 are within the Wi-Fi channel 1 band.
- Gateway channel 15 is adjacent to Wi-Fi channels 1 and 6.
- Gateway channels 16 through 19 are within the Wi-Fi channel 6 band.
- Gateway channel 20 is adjacent to Wi-Fi channels 6 and 11.
- Gateway channels 21 through 24 are within the Wi-Fi channel 11 band
- Gateway channel 25 is adjacent to Wi-Fi channel 11.
- Gateway channel 26 is neither within nor adjacent to any Wi-Fi band

NOTE: Crestron RF devices are divided into two categories: infiNET EX® network devices and Crestron Extended Range (ER) devices. infiNET EX devices automatically set their RF channel assignment to match the gateway's channel, whereas ER devices must have their RF channel manually assigned to match the gateway's channel.

Use the Crestron Home Setup app to set the control system RF channel. Refer to the Crestron Home OS 3 Product Manual (Doc. 8525) at www.crestron.com/manuals.



Pair with Apple HomeKit

The control system can be paired with Apple® HomeKit® technology to enable communication between the Crestron Home system and Apple HomeKit devices and accessories.

For pairing instructions and to locate the unique QR code required for pairing, refer to the MC4-R Compliance document (Doc. 8544) or the MC4-R-I Product Information document (Doc. 8611) that shipped with MC4-R or MC4-R-I, respectively.





Install the Setup App

The Crestron Home Setup app is used to configure the Crestron Home system. The Crestron Home Setup app is available from the App Store® online store and may be downloaded onto an Apple iOS® device such as an iPad® device. An Apple ID is required to download the Crestron Home Setup app.

For a comprehensive list of iOS hardware and software versions that are compatible with Crestron Home, refer to [online help article 5655](#).

To install the Crestron Home Setup app:


1. Tap the **App Store** icon  on the iPad device home screen.
2. Tap the search field, and enter the search term "Crestron Home Setup."
3. Tap **Search**.
4. Tap the **Crestron Home Setup** app icon .
5. Follow the prompts to download and install the app to the device.



Set Up Crestron Home

Set up the Crestron Home system after all of the Crestron Home devices and the control system have been installed and connected to the local network. Once the Crestron Home Setup app is downloaded and installed, system setup and device acquisition take place entirely through the app.

NOTE: Ensure that the iPad device, personal computer, and the control system are placed on the same subnet prior to setup.

To access the setup screens, tap the Crestron Home Setup app icon  on the iPad device home screen. The Crestron Home Setup app connects to the control system and a splash screen is displayed.

For detailed instructions on how to set up the Crestron Home system, refer to the Crestron Home OS 3 Product Manual (Doc. 8525).



Device Security

The control system is secured by factory default. The default username is set to "admin" and the default password is set to the serial number of control system (case-sensitive). These credentials are required to connect to the control system using Crestron Toolbox™ software, XPanel, or the Crestron Home app.

The default credentials can be changed using the Crestron Home Setup app. For more information, refer to the Crestron Home OS 3 Product Manual (Doc. 8525).



Visit the Product Pages

Scan the QR codes to visit the product pages.

MC4-R:



www.crestron.com/model/6510226

MC4-R-I:



www.crestron.com/model/6511327

Additional Information

Original Instructions

The U.S. English version of this document is the original instructions. All other languages are a translation of the original instructions.

Crestron product development software is licensed to Crestron dealers and Crestron Service Providers (CSPs) under a limited nonexclusive, nontransferable Software Development Tools License Agreement. Crestron product operating system software is licensed to Crestron dealers, CSPs, and end-users under a separate End-User License Agreement. Both of these Agreements can be found on the Crestron website at www.crestron.com/legal/software_license_agreement.

The product warranty can be found at www.crestron.com/warranty.

The specific patents that cover Crestron products are listed at www.crestron.com/legal/patents.

Certain Crestron products contain open source software. For specific information, visit www.crestron.com/opensource.

Crestron, the Crestron logo, Cresnet, Crestron Home, Crestron Toolbox, and infiNET EX are either trademarks or registered trademarks of Crestron Electronics, Inc. in the United States and/or other countries. App Store, Apple, HomeKit, and iPad are either trademarks or a registered trademarks of Apple, Inc. in the United States and/or other countries. iOS is either a trademark or a registered trademark of Cisco Systems, Inc. in the United States and/or other countries. The microSD logo is either a trademark or a registered trademark of SD-3C, LLC in the United States and/or other countries. Wi-Fi is either a trademark or registered trademark of Wi-Fi Alliance in the United States and/or other countries. Other trademarks, registered trademarks, and trade names may be used in this document to refer to either the entities claiming the marks and names or their products. Crestron disclaims any proprietary interest in the marks and names of others. Crestron is not responsible for errors in typography or photography.

©2020 Crestron Electronics, Inc.

Doc ID 8545B
(2054573)

01/21/20