
DM NVX[®] AV-over-IP.

Everything you need to know.



CONTENTS

AV-over-IP	01
What is AV-over-IP.....	01
How AV-over-IP works	01
DM NVX®	02
What is DM NVX	02
Features and Support.....	03
Hardware/Accessories.....	04
Software.....	06
DM NVX & AV-over-IP Training Pathways	07

AV-over-IP

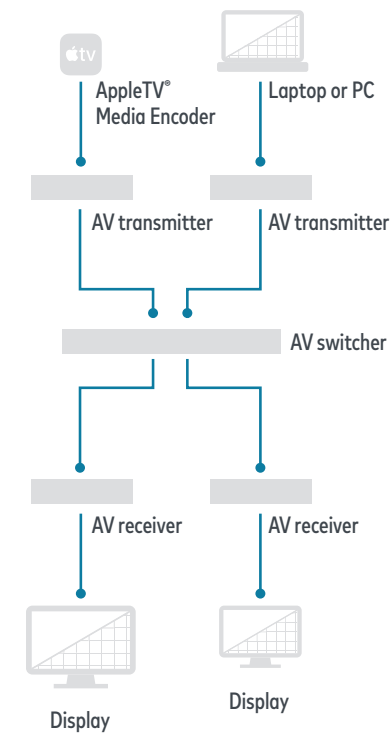
What is AV-over-IP?

AV-over-IP stands for Audio-Visual over Internet Protocol. It is the transmission of audio-visual data over a network (LAN). As the demand for higher quality content sent and received in real time grows, so does the demand for AV-over-IP solutions.

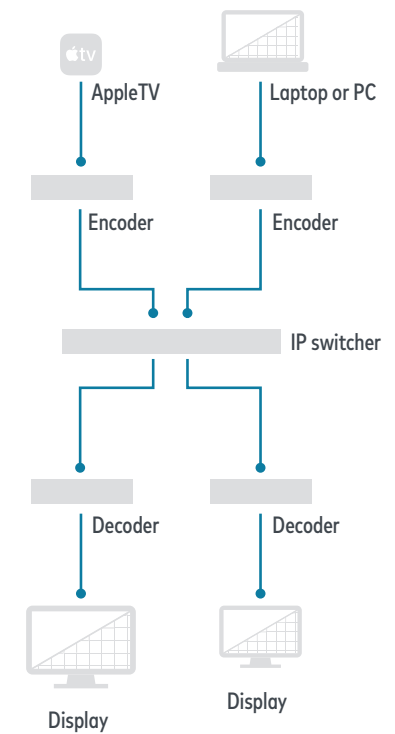
How Does AV-over-IP Work?

Unlike traditional AV solutions that employ AV switchers to send and receive audio and video signals, AV-over-IP utilizes standard network equipment to transmit and switch video and audio.

Typical HDBaseT® Signal Distribution Setup



Typical AV-over-IP Setup



DM NVX[®]

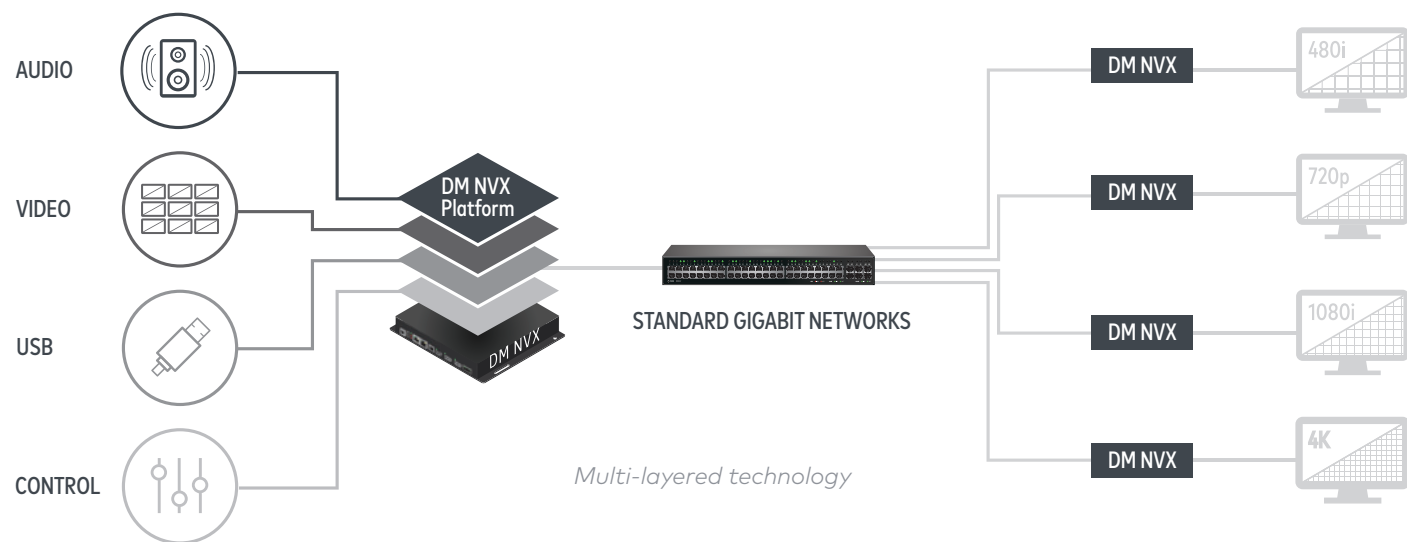
What is DM NVX?

DM NVX is Crestron's AV-over-IP solution. Technology that has been successfully deployed throughout the workplace, the world of education, entertainment, medicine, and the public sector.

DM NVX is a 1Gb network AV solution that works with any network, any application, any design, anywhere. It gives every organization the ability to get video, audio, USB, and device control, wherever you need them, on the network.

Crestron goes beyond most networked AV solutions. DM NVX units can function as either a network AV encoder or decoder. That means you don't have to decide in advance whether you'll need an encoder or decoder for a certain location. Simply deploy the DM NVX units and make your selection during installation from the drop down menu.

DM NVX Features and Support



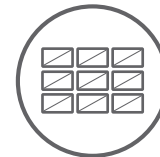
Multi-layered Technology

DM NVX endpoints routes, distributes, and manages all of your video, audio, USB, and device control signals. All of their content (not just some of it) is routed through a single unit. Which provides lower costs, greater flexibility, and efficiency.



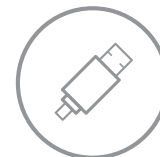
Audio

Supports lossless transport of 7.1 surround sound and stereo audio signals across your network. Supports Audio over IP standards such as AES 67 and Dante. Onboard DSP downmixing available on select models.



Video

The only network AV solution with Pixel Perfect Processing. Every format including 4K60, 4:4:4 and HDR, is picture perfect every time. DM NVX is the standard for network AV.



USB 2.0

USB 2.0 routing for use with a wide range of peripherals: keyboards, mouse, and gaming controllers.



Control

Uses standard protocols to expand control across entire network providing greater flexibility. One box does providing greater system efficiency and easier management.



Network Capability

The only 1Gb solution that works with any network, any application, any design. Complete with a full range of enterprise and government security features.

DM NVX Hardware

DM NVX is an ecosystem of endpoints, each with unique functionality that act as one. DM NVX allows you and your customers to choose the features needed without sacrificing performance or interoperability. DM NVX. It is everything you need, nothing you don't.

	DM-NVX-352	DM-NVX-351	DM-NVX-350	DM-NVX-E30	DM-NVX-D30	D80
VIDEO 4K60 4:4:4 HDR with Pixel Perfect Processing						
ENCODER/DECODER Encoder & Decoder				Encoder	Decoder	
AUDIO Stereo 2-Channel and Digital Audio Formats	<i>*Dolby Digital* • Dolby Digital EX • Dolby Digital Plus • Dolby® TrueHD • Dolby Atmos® • DTS® • DTS-ES DTS 96/24 • DTS-HD High Res • DTS-HD Master Audio™ codecs • LPCM up to 8 channels</i>					
	+ Dante + AES67		+ DSP Downmix			
HDMI 2 Input & 1 Output				1 Input	1 Output	
POWER UPoE				PoE+		Via Display
SECURITY 802.1x / AES-128 / Active Directory® credential management / TLS / HTTPS / SSH / SSL / SFTP						

Accessories to complete the DM NVX AV-over-IP Solution

DM-NVX-E760 - Bring HDBaseT Switching AV onto the network

Have the ability to manage IPTV or overflow rooms, whilst utilizing a broad range of HDBaseT™ transmitters and leveraging existing networks.

- Solution for Hybrid spaces where you have Switching AV and AV-over-IP
- Endpoint and a card encoder which acts as a bridge from DM and HDMI outputs to an NVX network
- The only HDBaseT to AV-over-IP on the market
- 1 Gang form factors and Wall plates
- PoE+ and UPoE

USB over IP Network Extenders - Transport USB signals over the network

A range of USB Extenders that give you the ability to connect USB peripherals at multiple locations throughout a business or educational facility and route them to one or more different devices or displays over the local Ethernet network. Consider the applications: KVM (Keyboards and mice), UC (cameras, mics and headsets), and e-gaming (controllers, and thumb drives).

- Gives you the ability to connect USB peripherals at multiple locations throughout a business or educational facility and route them to one or more different devices or displays over the local Ethernet network.
- A range of USB Extenders with multiple form factors

Software

Monitoring & Management



Analytics & Reporting



DM NVX & AV-over-IP Training Pathways

As an industry professional, you're responsible for planning and managing the distribution of audio and video signals throughout enterprises, campuses or organizations. To continue to grow and develop your skills please see below Training Pathways.

DM NVX Pathway

Become **Crestron DM NVX Certified**. Following the completion of this pathway, you will have the skills to successfully design and deploy a DM NVX solution.

(Available to Design Engineers, Programmers, Technicians, and Sales.)



AV-over-IP Pathway

Become **Crestron AV-over-IP Certified**. Following the completion of this pathway, you have the in-depth technical skills to design a complete Crestron networked-based solution for Audio, Video, and Control.

(Available to Design Engineers, Programmers, and Technicians.)



To find out more about Training, visit crestron.com/training

Contact us for more information | crestron.com | 855.263.8754

World Headquarters

15 Volvo Drive
Rockleigh, NJ 07647
800.237.2041
201.767.3400
crestron.com

Latin America

Blvd. Manuel Avila Camacho 37-1A
Col. Lomas de Chapultepec
CP 11560
México
+ (305) 290.4978
+52 (55) 9159.5900
crestron.com.mx

Crestron Europe B.V.

Oude Keerbergsebaan 2
B-2820
Rijmenam
Belgium
+32.15.50.99.50
crestron.com

Australia

Level 5
15 Help Street
Chatswood NSW 2067
Australia
+61.1800.555.040
ANZHQ@crestron.com
crestron.com

New Zealand

Unit 18
144-160 Beaumont Street
Westhaven, Auckland 1010
New Zealand
+64.800.273.787
ANZHQ@crestron.com
crestron.com

Israel

14 Hata'as Street
Kfar Saba, 4442514
Israel
+972.9.7685556
crestron.co.il

India

Unit 101 & 102 RMZ Ecoworld
Campus 6B Sarjapur Marathalli Outer Ring Road
Bangalore 560103
1.800.3005.8822
INDIAsalesupport@crestron.com
crestron.com

NE Asia

Suite 3101-02, 31/F Oxford House,
Taikoo Place 979 Kings Road
Hong Kong
+852 800 969 996
NEAsalesupport@crestron.com
crestron.com

China

487 Tian Lin Road Gems Park
Block 25 Xu Hui District
P.R.C. Shanghai 200233
Toll Free Phone: 400.880.9700

SE Asia

31 Kaki Bukit Road 3
#01-04 & #01-05
Techlink
Singapore 417818
+65.6394.9380
crestron.com

Japan

1736-3 Higashitsuda-Cho
Matsue City 690-0011
Japan
+81.852.60.5185
crestronjapan.com

