

DIN-EN Series

DIN Rail Enclosures, 18 M Wide Rails



DIN-EN-10X18M shown

- DIN rail enclosure for Crestron® DIN devices
- Available with two, three, six, or ten DIN rails, 18 M wide
- Removable front cover for easy device access
- Features additional interior space for easy through-wiring capability
- Intertek® listed for US and Canada

The Crestron® DIN-EN series of enclosures provide centralized mounting solutions for DIN rail products such as the [DIN-AP4](#), [DIN-DLI](#), [DIN-1DIMU4](#), and [Zūm® DIN](#) lighting control modules. The enclosures also include a removable front cover for easy access to installed devices. DIN-EN enclosures are taller than the previous generation of enclosures and provide more room for wiring.

The DIN-EN enclosures offer knockouts at each row to provide through-wiring capabilities along the side of the cabinet. The [DIN-EN-10X18M](#) features a deeper cabinet than other enclosures to allow for additional cable routing.

NOTE: Third-party DIN devices can also be installed in the enclosures.

DIN Rail Mounting

DIN-EN enclosures utilize 18 M wide DIN rails. An additional 1 m (18 mm) clearance between the DIN rail end and the enclosure wall provides space for DIN device locking blocks or side-routed wiring. The enclosures are available in four sizes to accommodate two, three, six, or ten DIN rails.

Specifications

DIN Rail Detail

DIN-EN-2X18M	(2) 342 mm x 35 mm rails
DIN-EN-3X18M	(3) 342 mm x 35 mm rails
DIN-EN-6X18M	(6) 342 mm x 35 mm rails
DIN-EN-10X18M	(10) 342 mm x 35 mm rails

Environmental

Temperature	32° to 104° F (0° to 40° C)
Humidity	10% to 90% RH (noncondensing)

Construction

Enclosure	16-gauge galvanized steel
Cover	16-gauge galvanized steel; Gray powder coat finish
Mounting	Surface wall mount

Dimensions

DIN-EN-2X18M	Height: 15.91 in. (404 mm); 16.06 in. (408 mm) with cover Width: 14.13 in. (359 mm); 14.13 in. (359 mm) with cover Depth: 4.13 in. (105 mm); 4.27 in. (108 mm) to outside of cover; 4.38 in. (111 mm) to top of screw
---------------------	---

DIN-EN Series

DIN Rail Enclosures, 18 M Wide Rails

DIN-EN-3X18M	Height: 23.50 in. (597 mm); 24.25 in. (616 mm) with cover Width: 14.35 in. (364 mm); 16.10 in. (409 mm) with cover Depth: 4.25 in. (108 mm); 4.31 in. (110 mm) to outside of cover; 4.43 in. (112 mm) to top of screw
DIN-EN-6X18M	Height: 41.22 in. (1,047 mm); 41.97 in. (1,066 mm) with cover Width: 14.35 in. (364 mm); 16.10 in. (409 mm) with cover Depth: 4.25 in. (108 mm); 4.31 in. (110 mm) to outside of cover; 4.43 in. (112 mm) to top of screw
DIN-EN-10X18M	Height: 64.85 in. (1,647 mm); 65.60 in. (1,666 mm) with cover Width: 14.35 in. (364 mm); 16.10 in. (409 mm) with cover Depth: 6.00 in. (152 mm) to inside of cover; 6.07 in. (154 mm) to outside of cover; 6.18 in. (157 mm) to top of screw

Weight

DIN-EN-2X18M	12.05 lb (5.47 kg)
DIN-EN-3X18M	17.79 lb (8.07 kg)
DIN-EN-6X18M	30.00 lb (13.61 kg)
DIN-EN-10X18M	50.60 lb (22.95 kg)

Compliance

Regulatory Model: DIN-EN

Intertek® listed for US and Canada
Empty enclosure meets UL 50 & CSA C22.2 No. 94.1

Models

DIN-EN-2X18M

DIN Rail Enclosure, 2 DIN Rails, 18 M Wide

DIN-EN-3X18M

DIN Rail Enclosure, 3 DIN Rails, 18 M Wide

DIN-EN-6X18M

DIN Rail Enclosure, 6 DIN Rails, 18 M Wide

DIN-EN-10X18M

DIN Rail Enclosure, 10 DIN Rails, 18 M Wide

For a list of available accessories, visit the [DIN-EN](#) series product pages.

The original language version of this document is U.S. English.
All other languages are a translation of the original document.

This product may be purchased from select authorized Crestron dealers and distributors. To find a dealer or distributor, please contact the Crestron sales representative for your area. A list of sales representatives is available online at www.crestron.com/How-To-Buy/Find-a-Representative or contact us for additional information by visiting www.crestron.com/contact/our-locations for your local contact.

The product warranty can be found at www.crestron.com/warranty.

The specific patents that cover Crestron products are listed online at www.crestron.com/legal/patents.

Certain Crestron products contain open source software. For specific information, please visit www.crestron.com/opensource.

Certain Crestron products collect information that may include personal data. For further details regarding those Crestron products that collect, process, and transmit information directly to Crestron via the internet, refer to the Crestron Privacy Statement Regarding Internet Data Collection, located at www.crestron.com/legal-data-collection-privacy.

Crestron, the Crestron logo, and Züm are either trademarks or registered trademarks of Crestron Electronics, Inc. in the United States and/or other countries. Intertek is either a trademark or registered trademark of Intertek Group in the United States and/or other countries. Other trademarks, registered trademarks, and trade names may be used in this document to refer to either the entities claiming the marks and names or their products. Crestron disclaims any proprietary interest in the marks and names of others. Crestron is not responsible for errors in typography or photography.

Specifications are subject to change without notice.

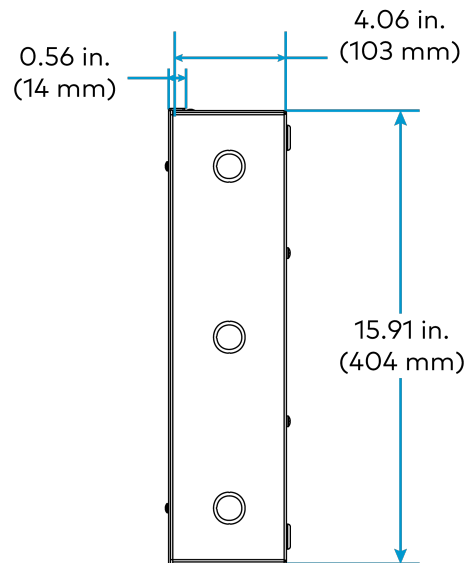
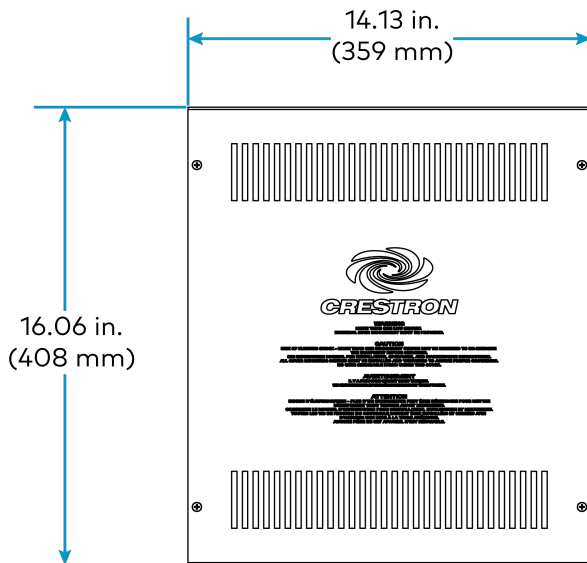
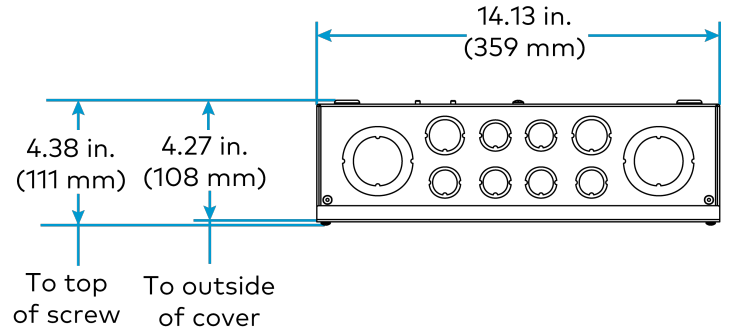
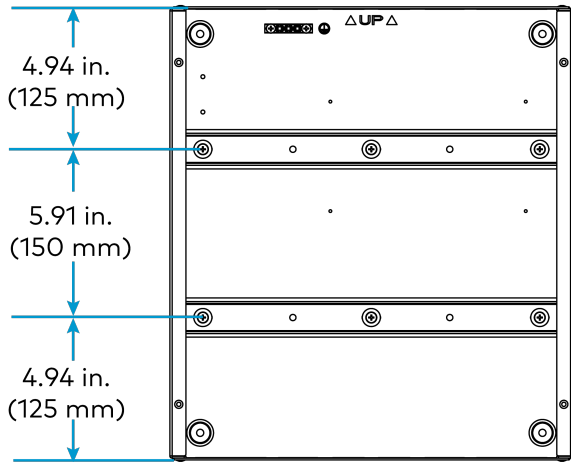
©2026 Crestron Electronics, Inc.

Rev 05/20/26

DIN-EN Series

DIN Rail Enclosures, 18 M Wide Rails

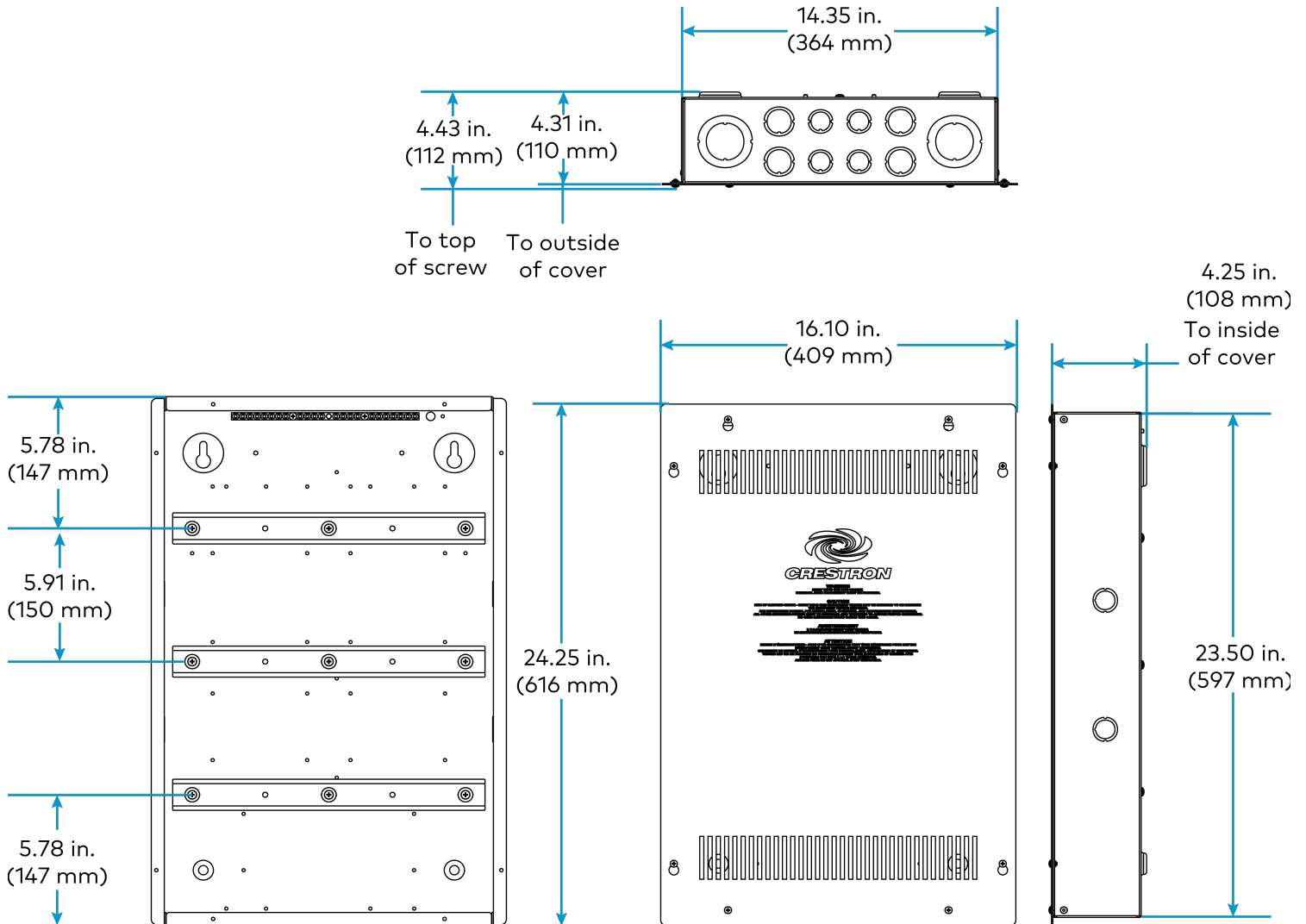
DIN-EN-2X18M



DIN-EN Series

DIN Rail Enclosures, 18 M Wide Rails

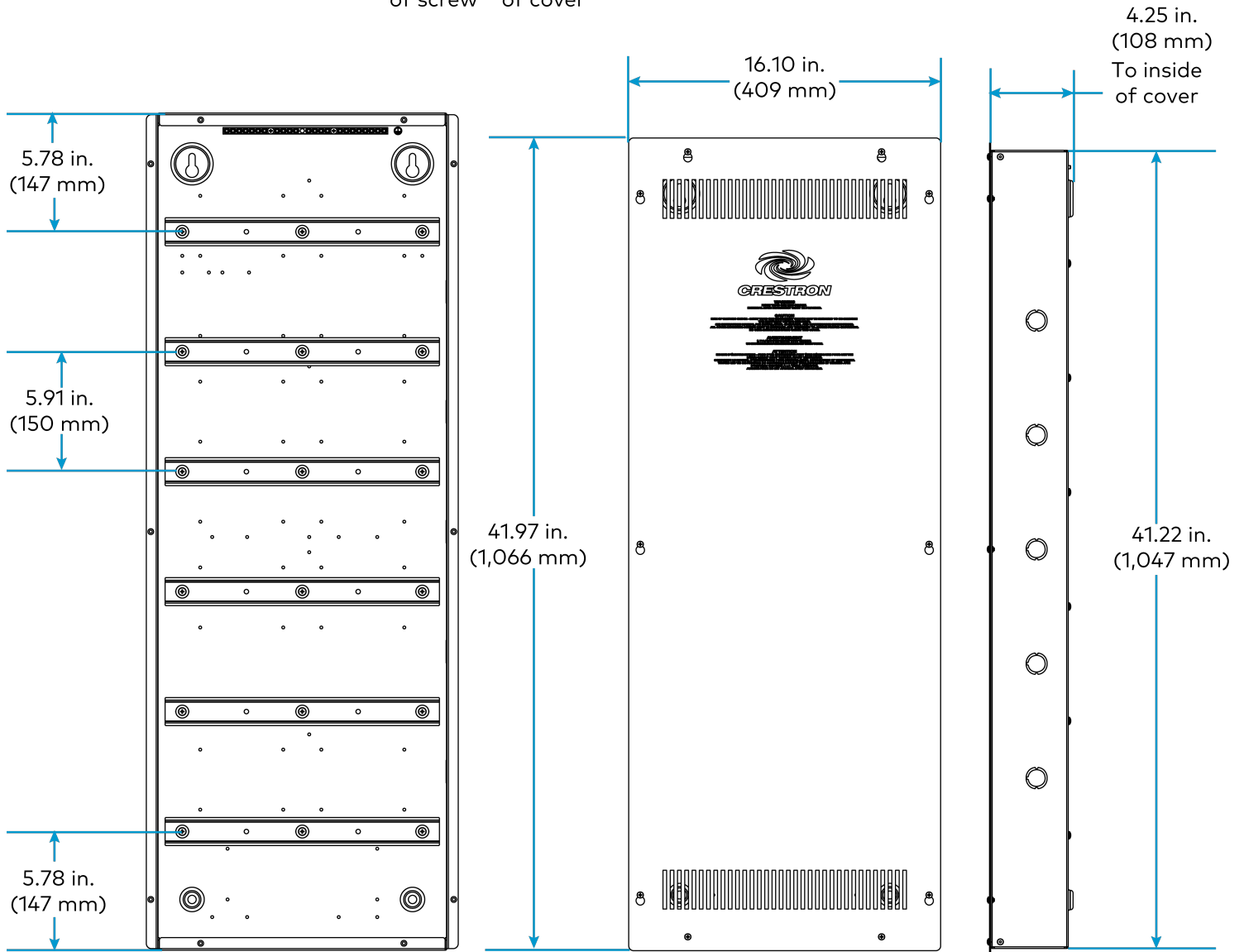
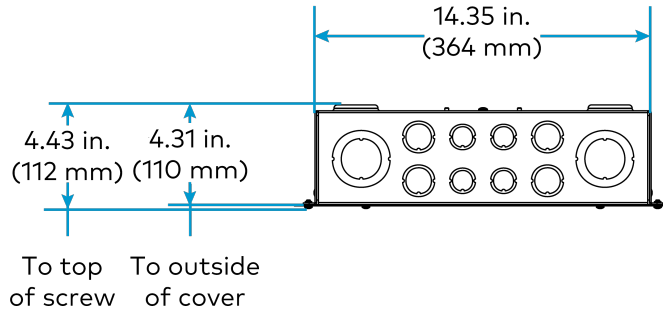
DIN-EN-3X18M



DIN-EN Series

DIN Rail Enclosures, 18 M Wide Rails

DIN-EN-6X18M



DIN-EN Series

DIN Rail Enclosures, 18 M Wide Rails

DIN-EN-10X18M

