

Crestron Flex Advanced Small Room Conference System with Jabra® PanaCast 50 Video Bar and Wall Mounted Control Interface for Zoom Rooms™ Software

The UC-BX31-Z-WM Crestron Flex advanced conferencing system provides a small room video conference solution for use with Zoom Rooms™ software. It supports up to three video displays and features a wall mount touch screen, UC presentation transmitter, UC bracket assembly, and smart soundbar and camera.

The latest firmware must be loaded onto the touch screen prior to operation. Refer to the touch screen's [product page](#) (resources tab) to download the latest device firmware. The latest UC-BX31-Z-WM firmware is installed using the auto update feature.

Minimum Requirements:

- A video display (not included) connected to the UC Engine. A second or third display is optional.
- A Zoom Rooms account or activation code (not included)



In the Box

- | | |
|---|---------------------------------------------------------------------------------------------------|
| 1 | Wall Mount Touch Screen
10.1 in. Wall Mount Touch Screen (6510814)
Mounting hardware |
| 1 | Smart Soundbar with Camera
Jabra® PanaCast 50 Video Bar (6512600) |
| 1 | UC Presentation Transmitter
Presentation transmitter (6510936) |

- | | |
|---|----------------------------------------------------------------------|
| 1 | Power pack (2056363) with cord (2001134) |
| 1 | Bracket, power supply (2056257) |
| 1 | Cable, USB to USB, 6.56 ft (2 m) (2056116) |
| 1 | Cable, HDMI®, 6.56 ft (2 m) (2056117) |
| 1 | Cable, USB 2.0, A to Micro B, 6.56 ft (2 m) (2055504) |
| 8 | Screw, 10-9 x 5/8 in. (15.9 mm), Pan Head, Phillips, Black (2054365) |

UC Bracket Assembly

- | | |
|---|-------------------------------------------------------------------------------------------------------------|
| 1 | UC Bracket Assembly with UC Engine and HDMI® or AV over CAT5 content ingest (UC-BRKT-260-P-Z-ASSY, 6512692) |
| 2 | Anchor, Drywall, Plastic, 3/8 in. x 1/2 in. (9.5 mm x 12.7 mm) (2052565) |
| 1 | Key, Anchor (4529654) |
| 1 | Power pack (2045870) |
| 2 | Screw, 8-AB x 1-1/2 in. (38.1 mm), Pan Head, Combo (2052567) |
| 4 | Tie Wrap (2047935) |

Additional Items

- | | |
|---|------------------------------------------------------|
| 1 | Cable, CAT6a, RJ-45 - RJ-45, 20 ft (6.1 m) (6507640) |
| 3 | Cable, CAT5e, RJ-45 - RJ-45, 7 ft (2.1 m) (6509924) |
| 1 | Cable, DisplayPort™ to HDMI, 6 ft (1.8 m) (6508282) |
| 1 | Cable, HDMI, 6 ft (1.8 m) (6503565) |

Crestron Flex Advanced Small Room Conference System with Jabra® PanaCast 50 Video Bar and Wall Mounted Control Interface for Zoom Rooms™ Software



Mount Devices

Mount the UC Bracket Assembly

Mount the UC Bracket Assembly to VESA® compliant display devices, a wall, or other building structure. Anchors and screws are supplied for installation on walls 3/8 in. (9.5 mm) to 3/4 in. (19 mm) thickness.

CAUTION: Preinstalled screws may protrude from the back of the UC Bracket Assembly. Exercise caution when handling the UC Bracket Assembly to avoid scratching or damaging surfaces.

NOTE: The integrated cable tie wraps are reusable. Avoid damaging the cable tie wraps.

Mount the UC Presentation Transmitter

Mount the UC Presentation Transmitter to the underside of a table using the supplied screws. The supplied screws support installation on tables with a thickness of 1 in. (25.4 mm) minimum.

Mount the Soundbar with Camera

Mount the included Jabra PanaCast 50 soundbar with camera according to its included documentation.

Mount the Touch Screen

Mount the included touch screen according to the [TSW-1070 Quick Start](#) (Doc. 8552).

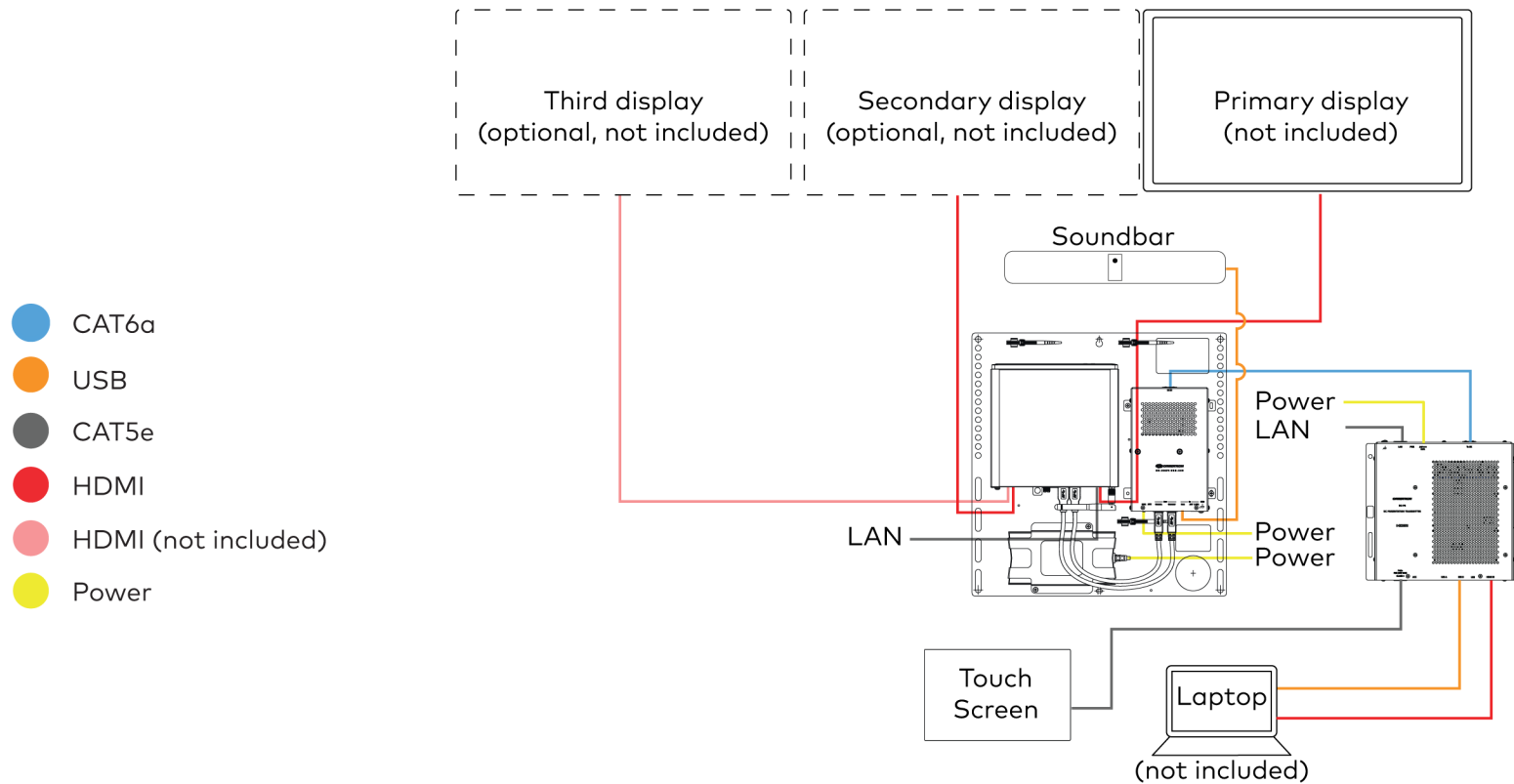
Crestron Flex Advanced Small Room Conference System with Jabra® PanaCast 50 Video Bar and Wall Mounted Control Interface for Zoom Rooms™ Software



Connect

System Overview

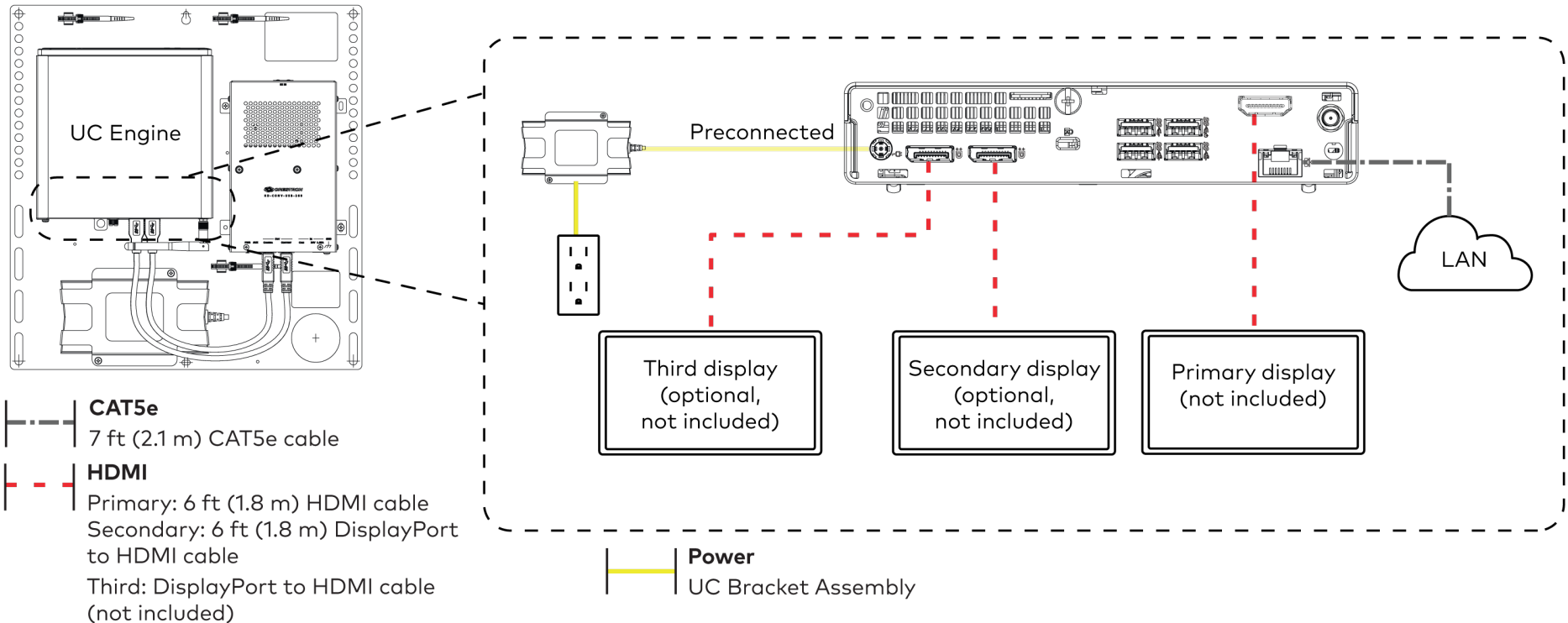
When connections are complete, the system appears as shown below. The laptop connections shown below may vary based on the selected connection method. Refer to [Make Connections](#) for detailed connection instructions.



Crestron Flex Advanced Small Room Conference System with Jabra® PanaCast 50 Video Bar and Wall Mounted Control Interface for Zoom Rooms™ Software

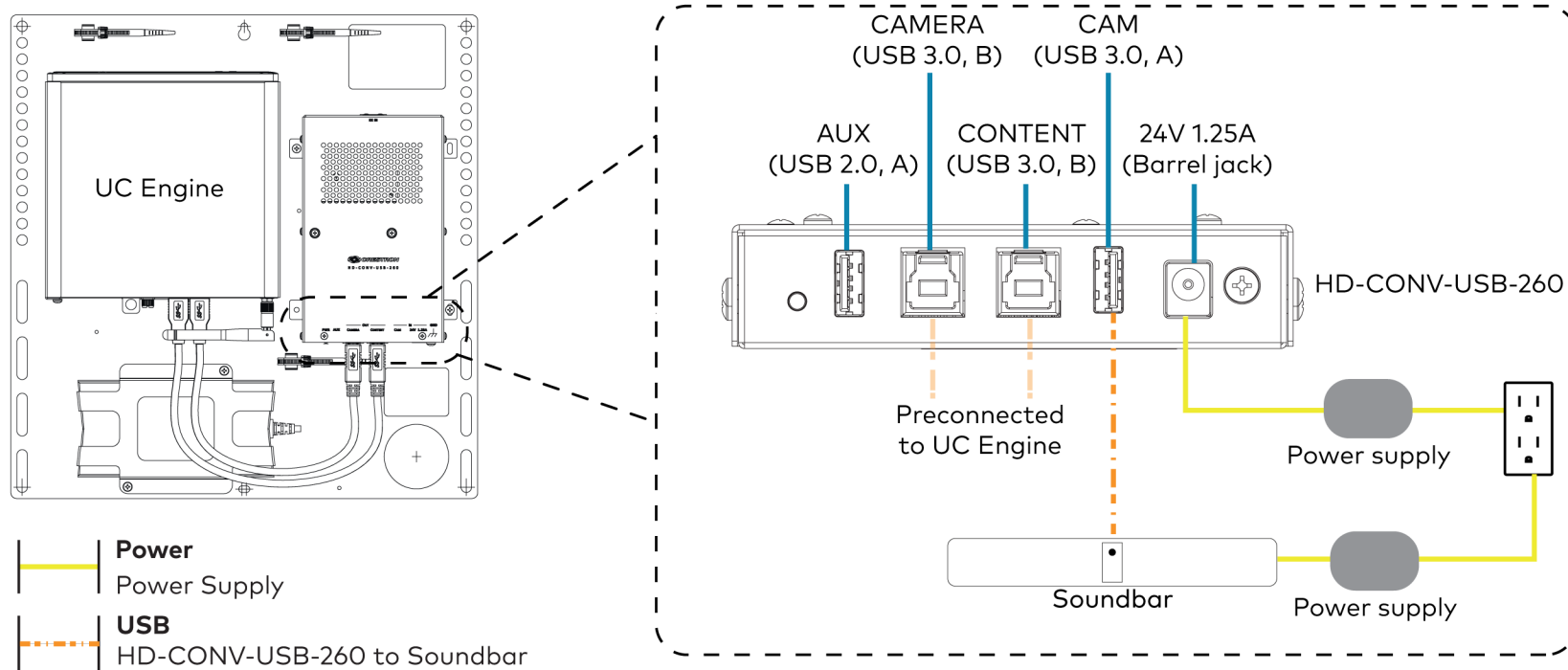
Make Connections

1. Make UC Engine connections as shown in the following illustration.



Crestron Flex Advanced Small Room Conference System with Jabra® PanaCast 50 Video Bar and Wall Mounted Control Interface for Zoom Rooms™ Software

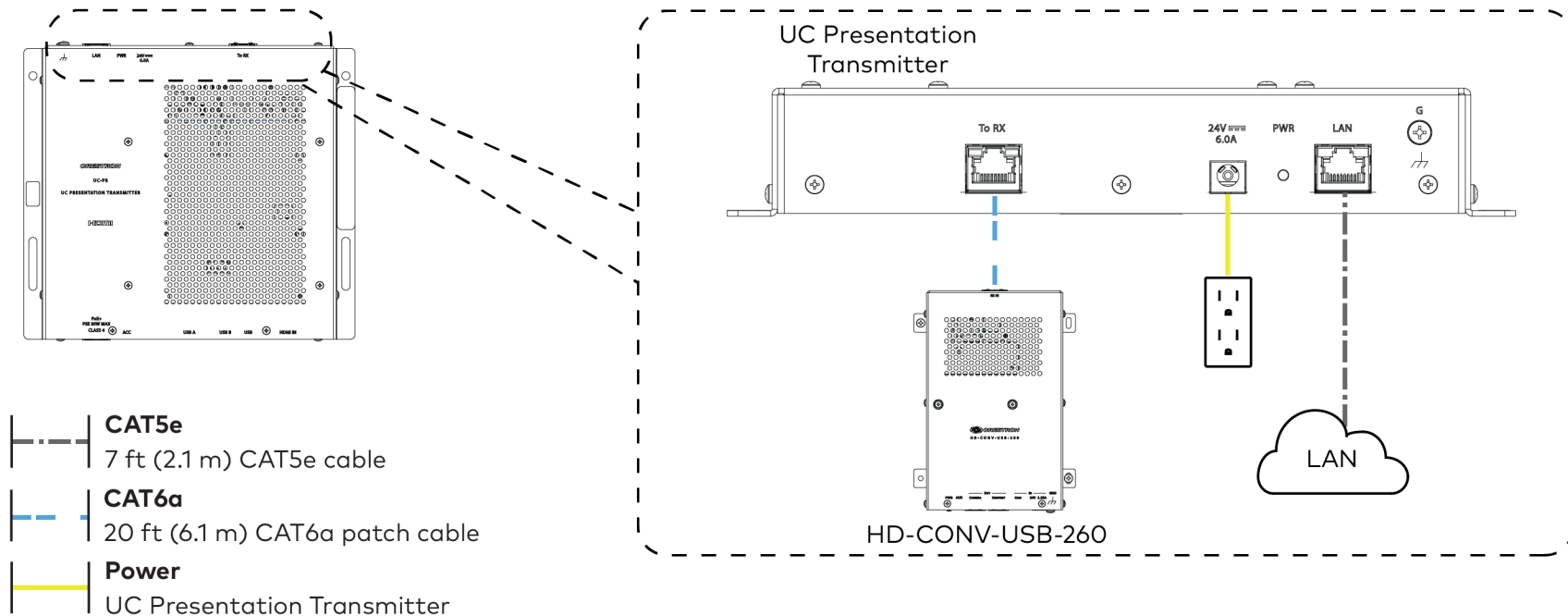
2. Connect the power supply and the soundbar to the bottom of the content ingest device (HD-CONV-USB-260). Connect the power supplies to an AC power outlet.



Crestron Flex Advanced Small Room Conference System with Jabra® PanaCast 50 Video Bar and Wall Mounted Control Interface for Zoom Rooms™ Software

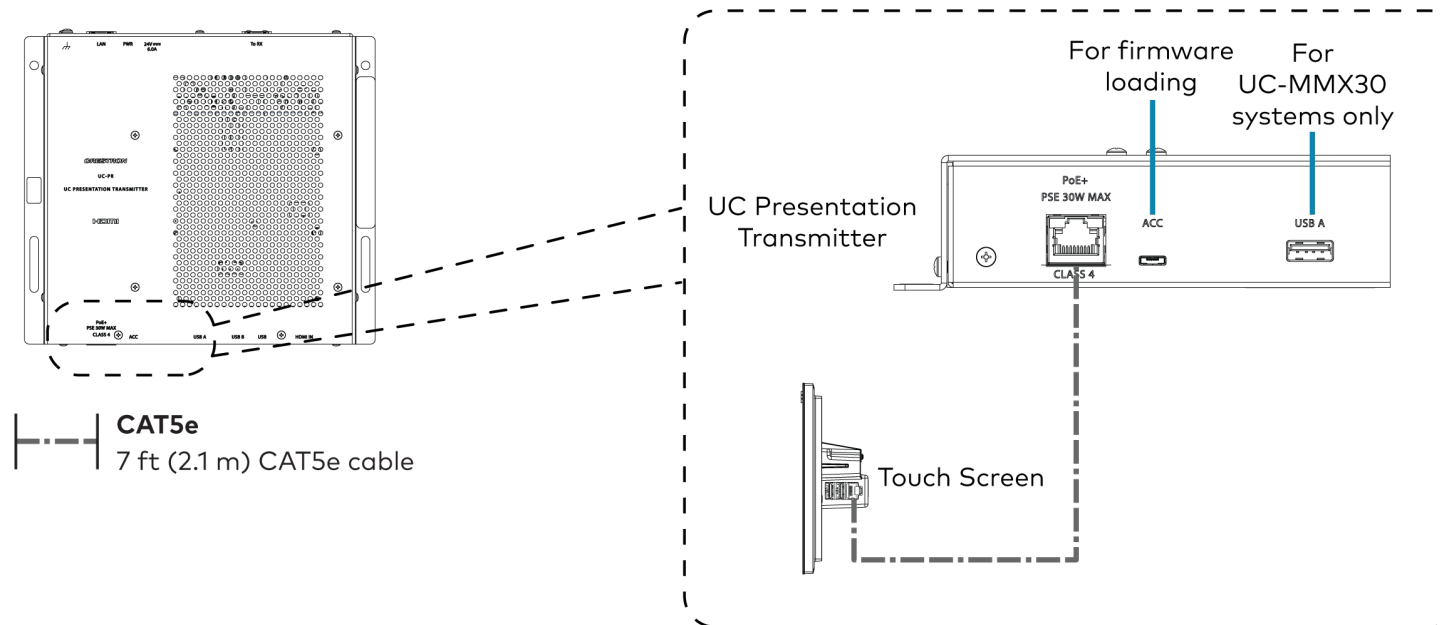
3. Connect power, the content ingest device (HD-CONV-USB-260), and LAN to the top of the UC Presentation Transmitter.

NOTE: If a longer cable between the UC Presentation Transmitter and the HD-CONV-USB-260 is needed, use a DigitalMedia™ Ultra cable only. The maximum supported cable length is 300 ft (91.4 m).



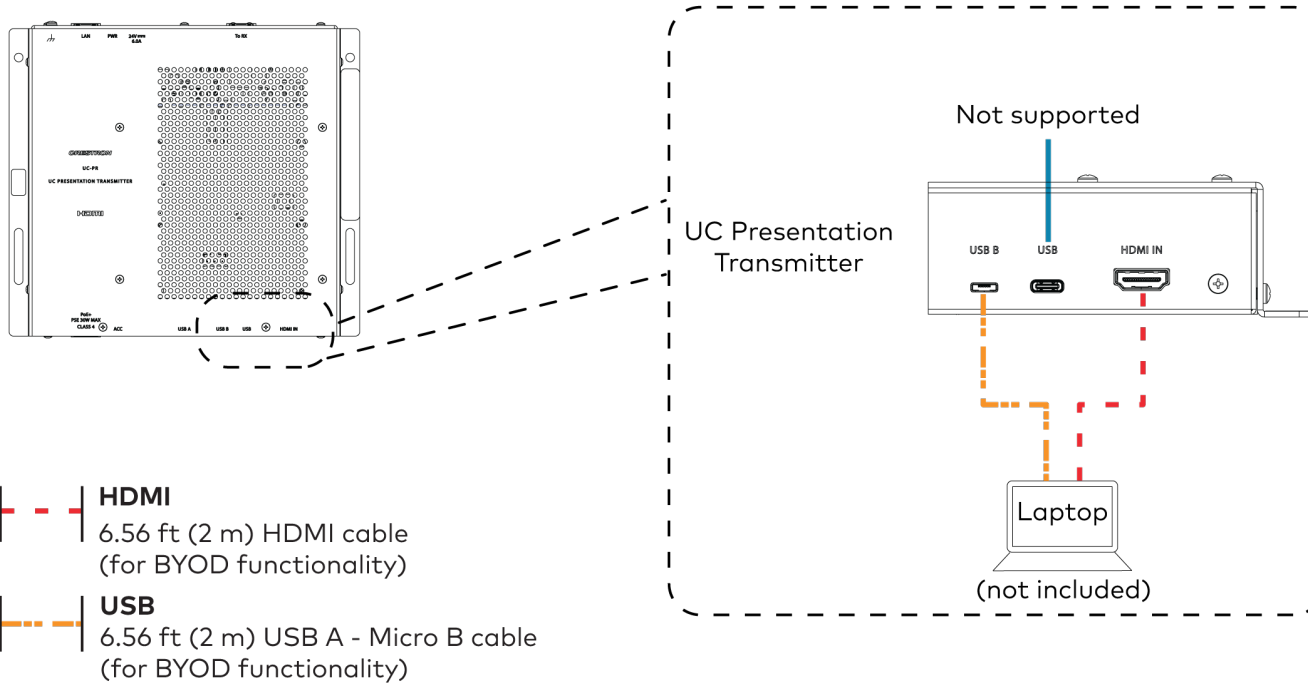
Crestron Flex Advanced Small Room Conference System with Jabra® PanaCast 50 Video Bar and Wall Mounted Control Interface for Zoom Rooms™ Software

4. Connect the touch screen to the bottom of the UC Presentation Transmitter.



Crestron Flex Advanced Small Room Conference System with Jabra® PanaCast 50 Video Bar and Wall Mounted Control Interface for Zoom Rooms™ Software

5. Connect a laptop to the HDMI and USB B ports on the bottom of the UC Presentation Transmitter. Select a connection type based on the available ports on the user's laptop.



6. Bundle the cables to the bracket assembly with the integrated cable tie wraps. The cable tie wraps are reusable.

Crestron Flex Advanced Small Room Conference System with Jabra® PanaCast 50 Video Bar and Wall Mounted Control Interface for Zoom Rooms™ Software



Configure

Apply Power

Press the power button on the bottom of the UC Engine and apply power to all of the other devices in the system. The connected display device will show a pairing code.

Log In to the Zoom Rooms Service

1. Tap **Touch Here to Enable a Specific Application** on the bottom of the screen. A list of applications is displayed.
2. Tap **Zoom Rooms** and then tap **Confirm**. The touch screen will reboot.
3. Enter the pairing code shown on the display to pair the touch screen with the UC Engine. The Zoom Rooms controller app is displayed.
4. Log in to the Zoom Rooms service with an activation code or Zoom Rooms Credentials (email and password).
 - **Activation Code:**
 - a. Tap **Enter Activation Code**.
 - b. Enter the 16-digit activation code provided by the administrator to activate the Zoom Room that is assigned to the activation code. The Zoom Rooms Conference Room screen is shown on the display.
 - **Sign In:**
 - a. Tap **Sign In**.
 - b. Enter the Zoom Room credentials and tap **Sign In**.
 - c. Select the conference room name from the list and tap **Next**. The Zoom Rooms Conference Room screen is shown on the display.
5. Tap **Settings**. If a password is required, enter the password (the default password is "1234"). The **Settings** screen is displayed.
6. Tap **Microphone** and select the as the source.
7. Tap **Speaker** and select the as the source.
8. Tap **Meet Now** to exit.

Configure the System

Connect a USB keyboard and mouse (sold separately) to a USB port on the UC Engine to configure system features. For detailed information on using Zoom Rooms, refer to the [Zoom Rooms Help Center](#).

Crestron Flex Advanced Small Room Conference System with Jabra® PanaCast 50 Video Bar and Wall Mounted Control Interface for Zoom Rooms™ Software



Visit the Product Page

Scan the QR code to visit the product page.



www.crestron.com/model/6512618

Additional Information

Original Instructions

The U.S. English version of this document is the original instructions. All other languages are a translation of the original instructions.

Crestron product development software is licensed to Crestron dealers and Crestron Service Providers (CSPs) under a limited nonexclusive, nontransferable Software Development Tools License Agreement. Crestron product operating system software is licensed to Crestron dealers, CSPs, and end-users under a separate End-User License Agreement. Both of these Agreements can be found on the Crestron website at www.crestron.com/legal/software_license_agreement.

The product warranty can be found at www.crestron.com/warranty.

The specific patents that cover Crestron products are listed at www.crestron.com/legal/patents.

Certain Crestron products contain open source software. For specific information, visit www.crestron.com/opensource.

Crestron, the Crestron logo, and DigitalMedia are either trademarks or registered trademarks of Crestron Electronics, Inc. in the United States and/or other countries. Jabra is a trademark of GN Audio A/S in the United States and/or other countries. HDMI is either a trademark or registered trademark of HDMI Licensing LLC in the United States and/or other countries. DisplayPort and VESA are either trademarks or registered trademarks of Video Electronics Standards Association in the United States and/or other countries. Zoom Rooms is either a trademark or registered trademark of Zoom Video Communications, Inc. in the United States and/or other countries. Other trademarks, registered trademarks, and trade names may be used in this document to refer to either the entities claiming the marks and names or their products. Crestron disclaims any proprietary interest in the marks and names of others. Crestron is not responsible for errors in typography or photography.

©2022 Crestron Electronics, Inc.

Doc. 9186A

09/15/22