

Crestron Flex Tabletop Large Room Video Conference System for Zoom Rooms® Software

The UC-M70-Z Crestron Flex tabletop conferencing system provides a large room video conference solution for use with Zoom Rooms® software. It supports up to three video displays and features a Crestron Flex tabletop conference device, UC bracket assembly, and an AI collaboration camera.

Minimum Requirements:

- A video display (not included) connected to the UC Engine. A second display is optional.
- A Zoom Rooms account or activation code (not included).



In the Box

Tabletop Conference Device

- 1 Tabletop Conference Device, Zoom Rooms Software (6508227)
- 1 Cable, CAT5e, RJ-45 - RJ-45, 12 ft (3.7 m) (2033988)
- 1 Cable Retention Plate (2047908)
- 3 Tie Wrap (2047935)

UC Bracket Assembly

- 1 UC Bracket Assembly with UC Engine and HDMI® content ingest (UC-BRKT-200-S-Z-ASSY, 6512690)
- 2 Anchor, Drywall, Plastic, 3/8 in. x 1/2 in. (9.5 mm x 12.7 mm) (2052565)
- 1 Key, Anchor (4529654)
- 2 Screw, 8-AB x 1-1/2 in. (38.1 mm), Pan Head, Combo (2052567)
- 4 Tie Wrap (2047935)

Additional Items

- 1 AI collaboration camera (6512296)
- 1 Microphone pod (6508084)
- 1 Cable, CAT5e, RJ-45 - RJ-45, 7 ft (2.1 m) (6509924)
- 1 Cable, DisplayPort™ to HDMI, 6 ft (1.8 m) (6508282)
- 1 Cable, HDMI, 20 ft (6.1 m) (6503567)
- 1 Cable, HDMI, 6 ft (1.8 m) (6503565)
- 1 Cable, USB 2.0, A - Micro-B, 6 ft (1.8 m) (6510947)
- 1 Cable, USB Extension, USB Type A Male-to-Female, 15 ft (4.6 m) (6508260)
- 1 Power supply (6500187)

Crestron Flex Tabletop Large Room Video Conference System for Zoom Rooms® Software



Mount Devices

Mount the UC Bracket Assembly

Mount the UC Bracket Assembly to VESA® compliant display devices, a wall, or other building structure. Anchors and screws are supplied for installation on walls with 3/8 in. (9.5 mm) to 3/4 in. (19 mm) thickness.

CAUTION: Preinstalled screws may protrude from the back of the UC Bracket Assembly. Exercise caution when handling the UC Bracket Assembly to avoid scratching or damaging surfaces.

NOTE: The integrated cable tie wraps are reusable. Avoid damaging the cable tie wraps.

Mount the Camera

Mount the included camera according to its documentation.



Install the Cable Retention Plate

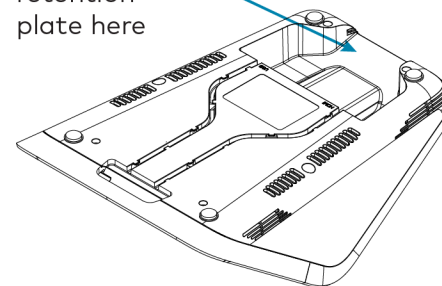
The included cable retention plate provides tie-down points for cables that connect to the Crestron® conference device.

Remove the adhesive backing from the cable retention plate and install the plate on the underside of the conference device as shown in the following diagram. Ensure the cable retention plate is firmly attached before securing cables.

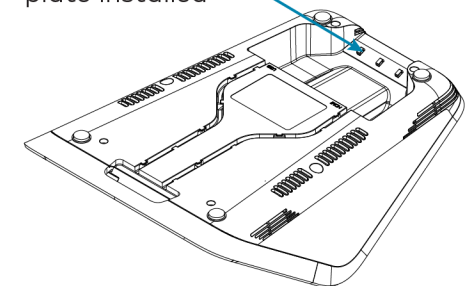
CAUTION: When turning over the device, place the device on a soft surface to avoid damage.

NOTE: If a swivel mount kit ([CCS-UCA-SMK](#)) is to be used, use the cable retention bracket included with the swivel mount kit as described in the [CCS-UCA-SMK DO Guide](#) (Doc. 7882).

Install cable retention plate here



Cable retention plate installed



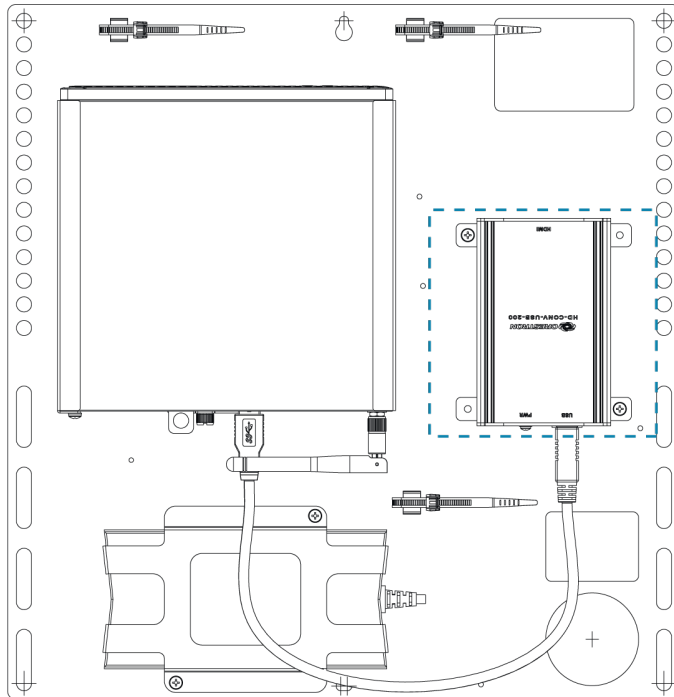


Connect

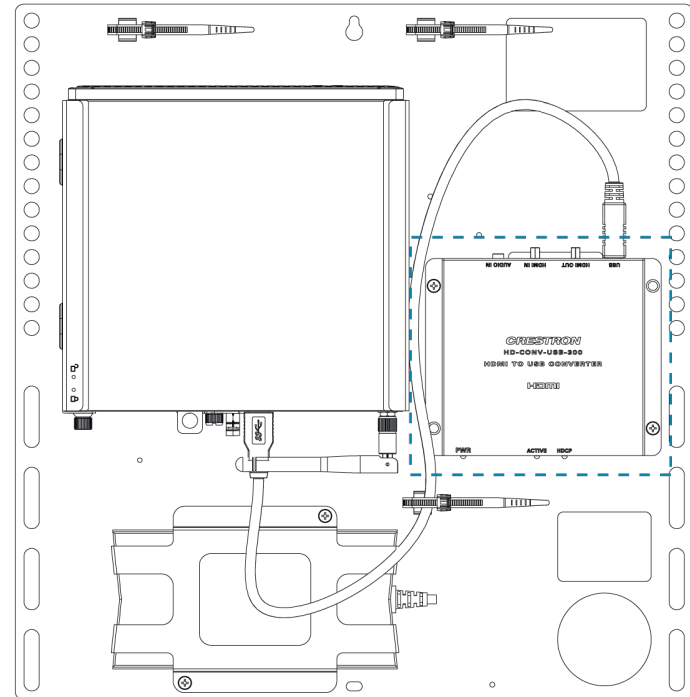
Identify the UC Bracket Assembly

The UC Bracket Assembly is available in two models. Identify the model included with your Crestron Flex system. Tap or click the corresponding image below to navigate to the appropriate connection instructions.

UC Bracket Assembly with HD-CONV-USB-200



UC Bracket Assembly with HD-CONV-USB-300

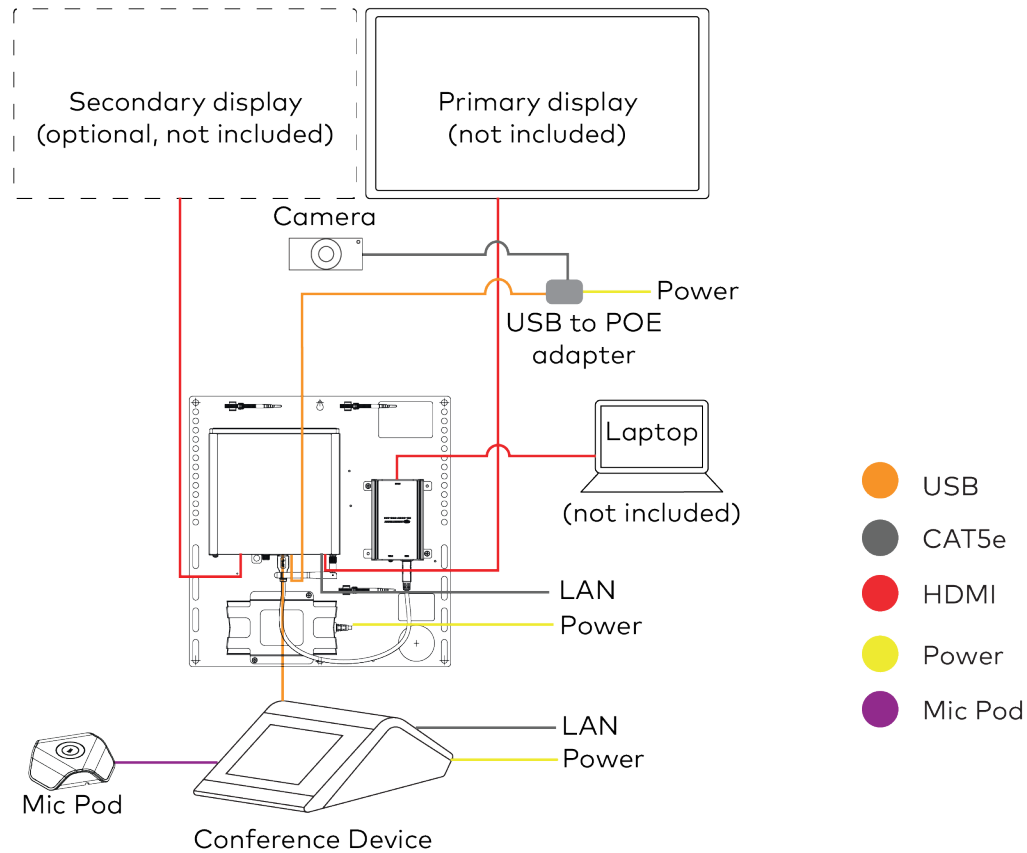


Crestron Flex Tabletop Large Room Video Conference System for Zoom Rooms® Software

System Overview

For UC Bracket Assembly with HD-CONV-USB-200

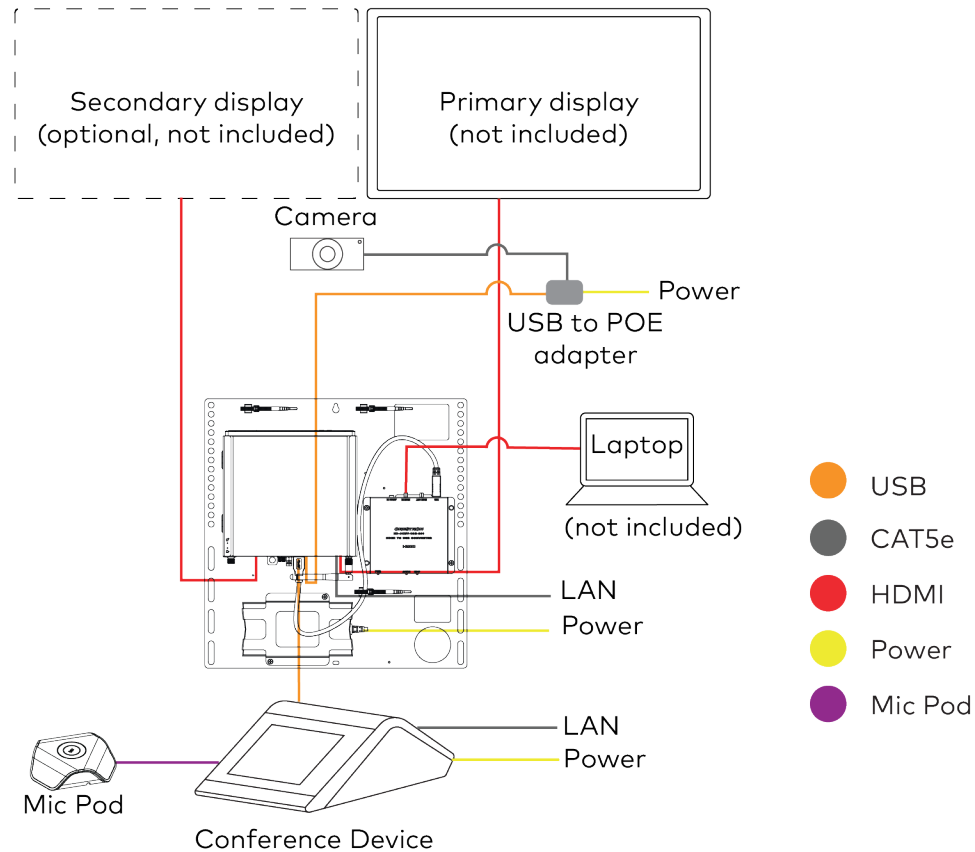
When connections are complete, the system appears as shown below. Refer to [Make Connections](#) for detailed connection instructions.



Crestron Flex Tabletop Large Room Video Conference System for Zoom Rooms® Software

For UC Bracket Assembly with HD-CONV-USB-300

When connections are complete, the system appears as shown below. Refer to [Make Connections](#) for detailed connection instructions.

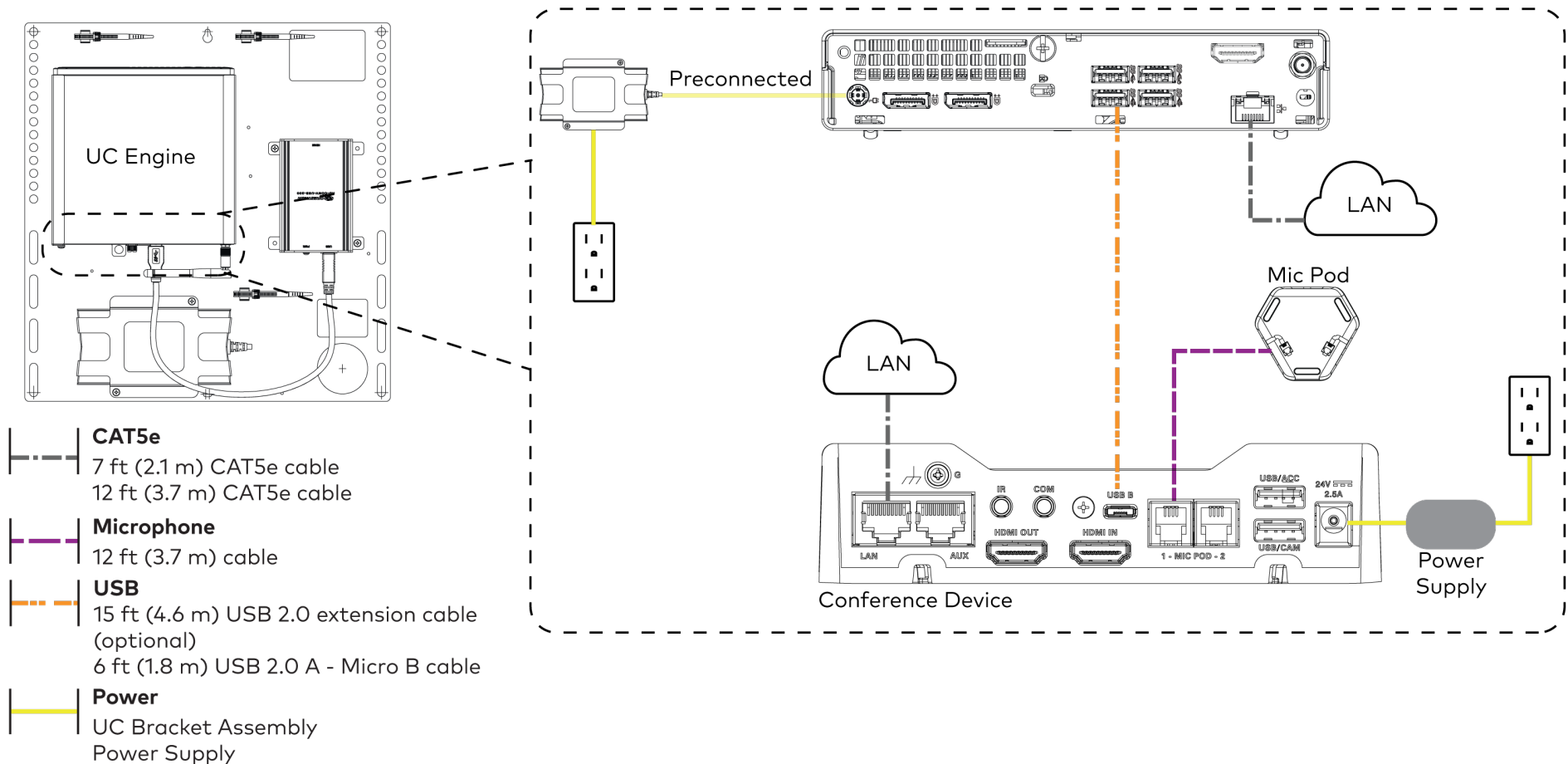


Crestron Flex Tabletop Large Room Video Conference System for Zoom Rooms® Software

Make Connections

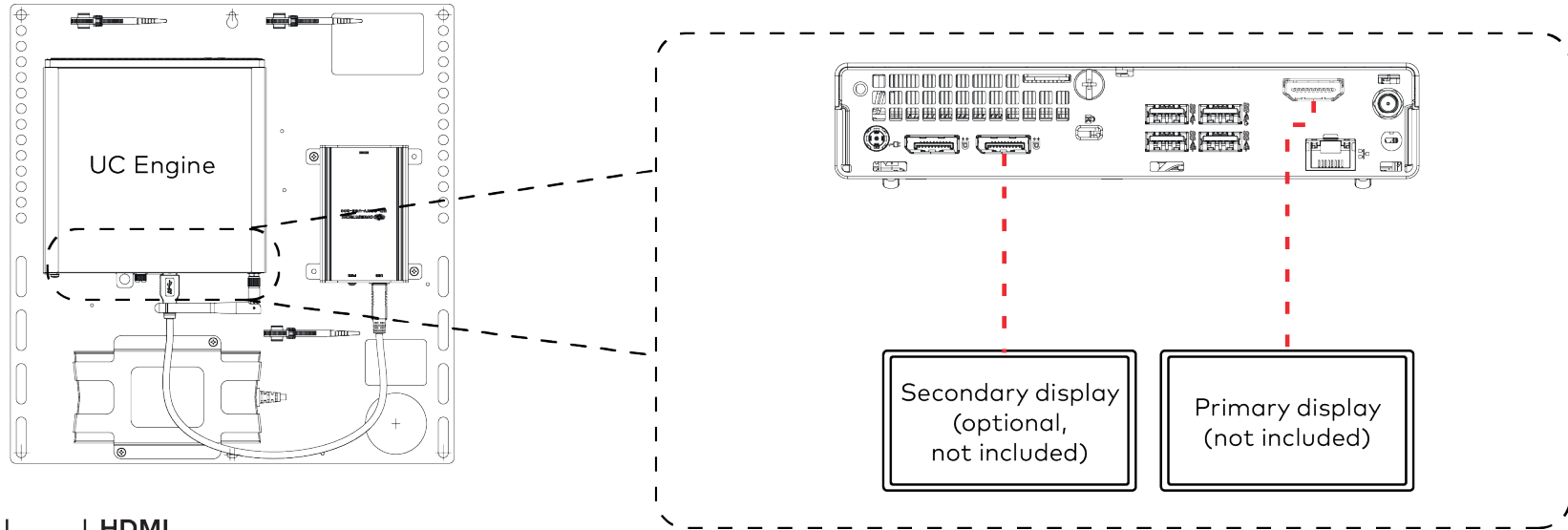
NOTE: For reference, the UC Bracket Assembly is shown with the HD-CONV-USB-200 in the following connection diagrams. Unless otherwise indicated in this guide, the connections remain the same for the UC Bracket Assembly with HD-CONV-USB-200 and HD-CONV-USB-300.

1. Make UC Engine connections as shown in the following illustration.



Crestron Flex Tabletop Large Room Video Conference System for Zoom Rooms® Software

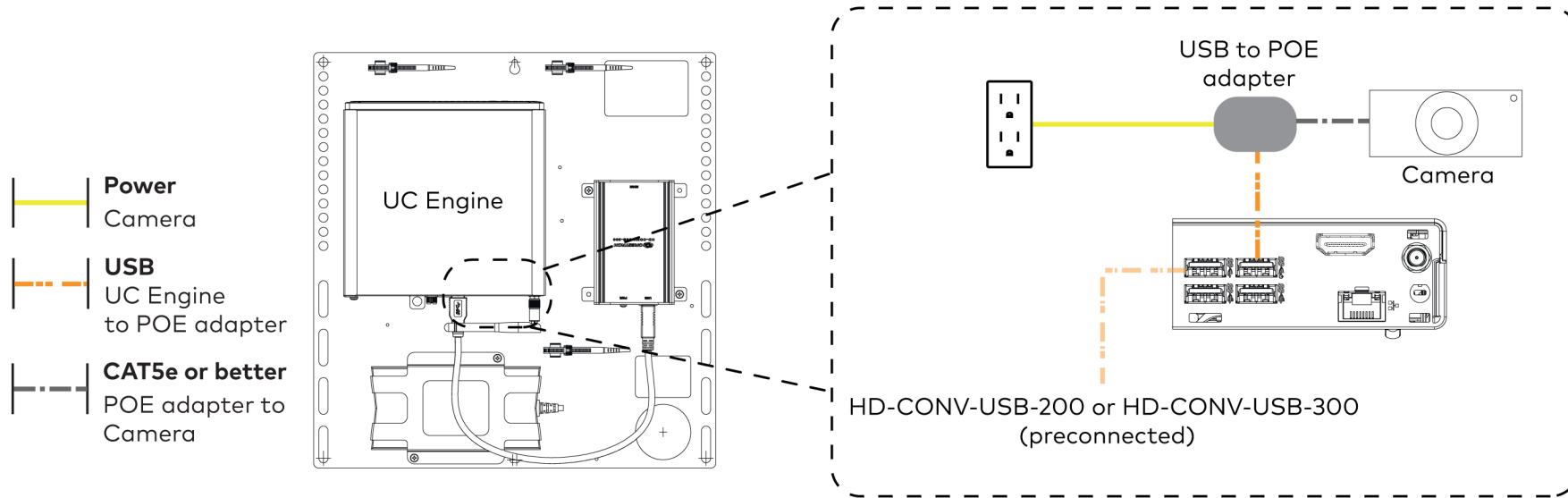
2. Connect displays to the UC Engine.



HDMI
Primary: 6 ft (1.8 m) HDMI cable
Secondary: 6 ft (1.8 m) DisplayPort to HDMI cable

Crestron Flex Tabletop Large Room Video Conference System for Zoom Rooms® Software

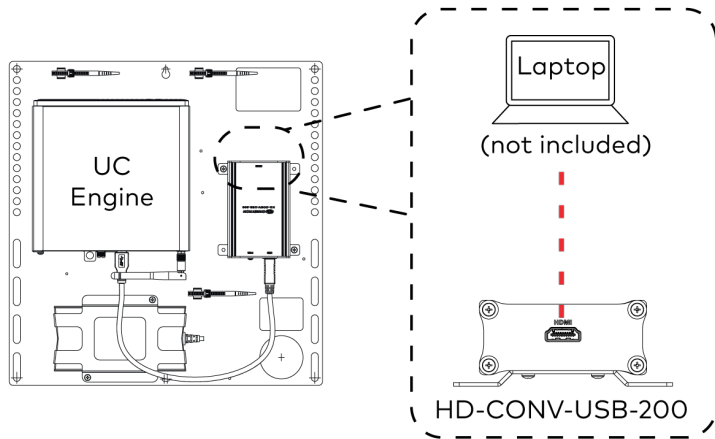
3. Connect the camera to the UC Engine as shown in the image below. Do not connect the camera to any of the other USB ports.



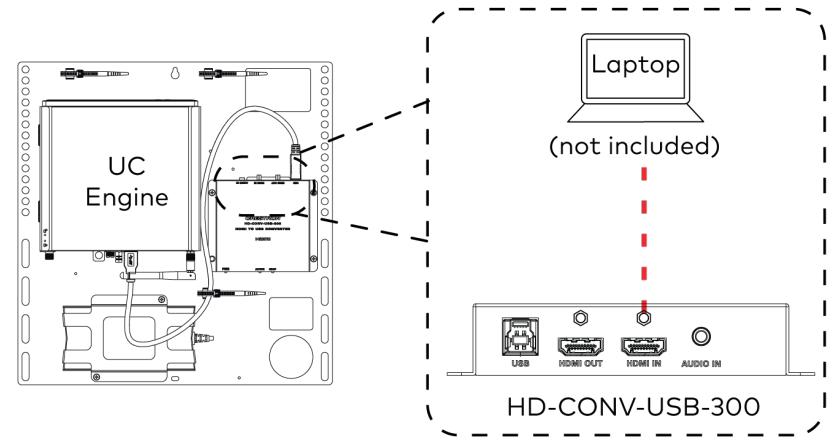
Crestron Flex Tabletop Large Room Video Conference System for Zoom Rooms® Software

4. Connect a laptop to the HD-CONV-USB-200 or HD-CONV-USB-300.

UC Bracket Assembly with HD-CONV-USB-200



UC Bracket Assembly with HD-CONV-USB-300



or



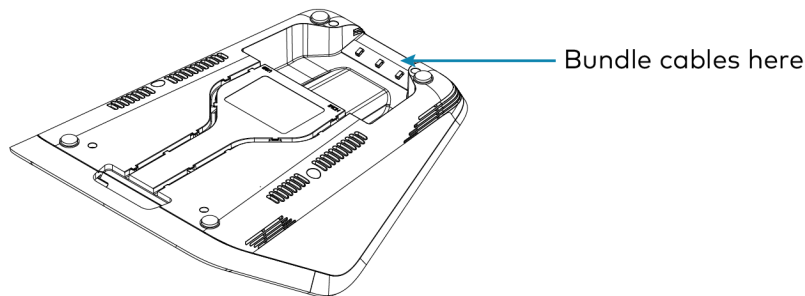
5. Bundle the cables to the bracket assembly with the integrated cable tie wraps. The cable tie wraps are reusable.

Crestron Flex Tabletop Large Room Video Conference System for Zoom Rooms® Software



Bundle Cables

Bundle the cables together and use a provided tie wrap to secure the bundle to one of the positions on the cable retention plate at the rear of the device. Avoid bundling power and data cables together.



Configure

Apply Power

Press the power button on the bottom of the UC Engine and apply power to all of the other devices in the system.

Configure the Conference Device

To configure the conference device to operate in Zoom Rooms Video mode:

1. On a computer, enter the IP address displayed on the conference device into a web browser.

NOTES:

- The device and computer must be on the same network switch and VLAN.
- A login with administrative rights for the device is required.

2. Enter the following information in the appropriate fields:

- **UC-Engine Address:** Enter the IP address or hostname of the UC Engine.

NOTE: The hostname is printed on a label affixed to the UC Engine.

- **UC-Engine Port:** By default, port number 49500 is used. If a different port number has been configured on the UC Engine, enter that port number instead.
- **UC-Engine Admin Username:** Enter the username for the UC Engine. The default username is "admin".
- **UC-Engine Admin Password:** Enter the login password for the UC Engine. The default password is "crestron".

3. Select **Save Changes**.

Crestron Flex Tabletop Large Room Video Conference System for Zoom Rooms® Software

- On the UC Engine, connect a USB keyboard and mouse (not included) to sign in to the Zoom Rooms service with an activation code or sign-in credentials (email and password).

NOTE: The Zoom Rooms Video mode allows sign-in only through the UC Engine. Therefore, to view the following instructions, use the conference room display connected to the UC Engine.

- **Activation Code:**

- Select **Enter Activation Code**.
- Enter the 16-digit activation code provided by the IT administrator managing the Zoom portal to activate the Zoom Room assigned to the activation code. The Zoom Rooms Conference Room screen is shown on the display.

- **Sign In:**

- Select **Sign In**.
- Enter the Zoom Room credentials and tap **Sign In**.
- Select the conference room name from the list and tap **Next**. The Zoom Rooms Conference Room screen is shown on the display.

- Visit the Zoom portal, navigate to **Room Management > Zoom Rooms > (Room Name) > Room Settings > Rooms Profile > Devices**.
- Enable the **Use Windows-attached Zoom Rooms Controller with specific Windows Monitor Hardware IDs** setting. Then, copy and paste the following string into the text field:
Crestron:TCT009A,Crestron:FUN0216,Crestron:FUN0270

Use Windows-attached Zoom Rooms Controller with specific Windows Monitor hardware IDs

Enable this setting only if using a Windows-attached Zoom Rooms controller device that requires a display emulator dongle or virtual display driver. Enter the manufacturer name, followed by a colon, followed by the seven character Windows monitor hardware ID shown in Windows Device Manager. Separate multiple entries with a comma. Consult your device vendor documentation for more information about using this feature. ⓘ

Crestron:TCT009A,Crestron:FUN0216,Crestron:FUN0270 ⓘ

- On the conference device, tap **Settings**. If a password is required, enter the password (the default password is "1234"). The **Settings** screen is displayed.
- Tap **Microphone** and select the conference device as the source.
- Tap **Speaker** and select the conference device as the source.
- Tap **Home** to exit.

Configure the System

Refer to the [Crestron Flex Unified Communications Solution](#) product manual to configure system features.

For detailed information on using Zoom Rooms, refer to the [Zoom Rooms Help Center](#).

Crestron Flex Tabletop Large Room Video Conference System for Zoom Rooms® Software



Visit the Product Page

Scan the QR code to visit the product page.

UC-M70-Z



www.crestron.com/model/6511588

Additional Information

Original Instructions

The U.S. English version of this document is the original instructions. All other languages are a translation of the original instructions.

Crestron product development software is licensed to Crestron dealers and Crestron Service Providers (CSPs) under a limited nonexclusive, nontransferable Software Development Tools License Agreement. Crestron product operating system software is licensed to Crestron dealers, CSPs, and end-users under a separate End-User License Agreement. Both of these Agreements can be found on the Crestron website at www.crestron.com/legal/software_license_agreement.

The product warranty can be found at www.crestron.com/warranty.

The specific patents that cover Crestron products are listed at www.crestron.com/legal/patents.

Certain Crestron products contain open source software. For specific information, visit www.crestron.com/opensource.

Crestron and the Crestron logo are either trademarks or registered trademarks of Crestron Electronics, Inc. in the United States and/or other countries. HDMI is either a trademark or registered trademark of HDMI Licensing LLC in the United States and/or other countries. DisplayPort and VESA are either trademarks or registered trademarks of Video Electronics Standards Association in the United States and/or other countries. Zoom Rooms is either a trademark or registered trademark of Zoom Video Communications, Inc. in the United States and/or other countries. Other trademarks, registered trademarks, and trade names may be used in this document to refer to either the entities claiming the marks and names or their products. Crestron disclaims any proprietary interest in the marks and names of others. Crestron is not responsible for errors in typography or photography.

©2023 Crestron Electronics, Inc.

Doc. 9300C

09/11/23