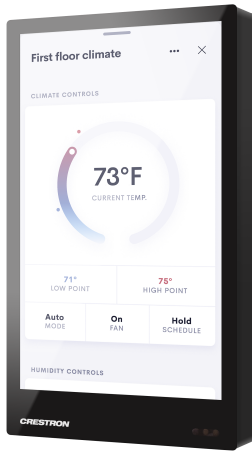


# TSW-570PR

## 5 in. Wall Mount Touch Screen, Portrait, Crestron Home® OS Version



- Next generation Crestron® portrait touch screen featuring a native Crestron Home® OS application
- 5 in. (127 mm) widescreen active-matrix color display and 720 x 1280 HD 720 display resolution
- Capacitive touch screen display
- H.265, H.264, or MJPEG streaming video display
- Single wire Ethernet connection with PoE or PoE+ power
- Dual USB 2.0 ports
- Enterprise grade security and authentication
- Web or device-based configuration
- Wall mounting with provided mounting bracket

The TSW-570PR is compatible with [Wall-Smart® flush wall mounting accessories](#).

The Crestron® TSW-570PR is a stylish and versatile portrait touch screen that is designed specifically to run the Crestron Home® OS application. The TSW-570PR features a portrait-oriented 5 in. (127 mm) capacitive touch screen display. PoE connectivity and a comprehensive assortment of mounting accessories simplify new and retrofit installations.

### Advanced Touch Screen Control

The TSW-570PR offers a sleek and powerful user interface for controlling technology in the home via the Crestron Home app. The touch screen provides an intuitive interface that is fully customizable with easy-to-use capacitive controls, true feedback, and real-time status display. A built-in proximity sensor wakes the screen without requiring any user interaction, and automatic brightness controls ensure optimal visibility under varying lighting conditions.

### Streaming Video

Native support for H.265, H.264, and MJPEG formats allows the TSW-570PR to display live streaming video from an IP camera, a streaming encoder (Crestron [DM-TXRX-100-STR](#), or similar), or a [DigitalMedia™ switcher](#).<sup>1</sup> Video is delivered to the touch screen over Ethernet, eliminating the need for any extra video wiring.

### Crestron Home OS Control

The TSW-570PR may be used to control a [Crestron Home® OS](#) whole home solution. Select the Crestron Home app from the touch screen to control lighting, shades, climate, media, security, and cameras, including the ability to create and recall scenes that create a desired ambiance throughout a home. A TSW-570PR may be installed in each room to provide easy access to various Crestron Home functions for both the room and the home.

### Wired Connectivity

An Ethernet LAN connection is all that is required to wire the TSW-570PR, containing all control, video, and power signals within a single wire.

### Power over Ethernet

Using PoE technology, the TSW-570PR gets its operating power directly through the network cable. PoE (Power over Ethernet) eliminates the need for a local power supply or any dedicated power wiring. Crestron PoE switches ([CEN-SW-POE-5](#) or [CEN-SWPOE-16](#)<sup>1</sup>) offer a total networking solution with built-in PoE for multiple touch screens. A PoE Injector ([PWE-4803RU](#)<sup>1</sup>) is also available to support a single touch screen.

**NOTE:** Refer to the "Power" specifications for more details.

### Enterprise-Grade Security

Crestron touch screens employ enterprise-grade networking with robust security features such as 802.1X authentication, TLS encryption, HTTPS connectivity, and Active Directory® service integration.

### Wall Mount Options

The TSW-570PR is easily installed into drywall and other surfaces using the included [TSW-UMB-70](#) universal mounting bracket, which affords the following mounting options:<sup>2</sup>

- Can be used by itself as a postconstruction solution for retrofitting the TSW-570PR into existing drywall.
- Can be used with the included [TSW-UMB-570P-PMK](#) preconstruction mounting kit for applications that don't require a back box.
- Can be used with the [TSW-UMB-70-BBI](#) back box for masonry and concrete applications.<sup>1</sup>

A security bracket option is also included to deter unauthorized removal of the touch screen.

# TSW-570PR

## 5 in. Wall Mount Touch Screen, Portrait, Crestron Home® OS Version

### Optional Mounting Accessories

The TSW-570PR is also compatible with Wall-Smart® flush wall mount products via a partnership with Crestron. For more information on supported Wall-Smart hardware, click [here](#).

### Specifications

#### Touch Screen Display

---

<b>Display Type</b>	TFT active matrix color LCD
<b>Size</b>	5 in. (127 mm) diagonal
<b>Aspect Ratio</b>	16:9 HD 720 (portrait)
<b>Resolution</b>	720 x 1280 pixels
<b>Brightness</b>	400 nits (cd/m <sup>2</sup> )
<b>Contrast</b>	800:1
<b>Color Depth</b>	24 bit, 16.7M colors
<b>Illumination</b>	Edgelit LED with auto brightness control
<b>Viewing Angle</b>	±80° horizontal, ±80° vertical
<b>Touch Screen</b>	Projected capacitive, 5-point multitouch capable

#### Buttons

---

<b>Virtual Buttons</b>	(5) Virtual buttons in collapsible universal tool bar, per-button show/hide, preconfigured with icons for Power, Home, Lights, Up, and Down
<b>Reset</b>	(1) Pin hole on rear panel for hardware reset

#### Graphics Engine

---

Native Crestron Home™ OS app, touch screen setup and diagnostics via web browser or onscreen UI, Crestron Home setup and diagnostics via Crestron Home Setup app

#### Languages

---

<b>Onscreen Keyboard</b>	Arabic, Chinese (Simplified), Croatian, Czech, Danish, Dutch, English (UK), English (US), Finnish, French (Canada), French (Switzerland), German, Hebrew, Hungarian, Italian, Japanese, Norwegian Bokmal, Polish, Portuguese, Russian, Serbian, Spanish, Swedish, Turkish
--------------------------	---

#### Memory

---

<b>RAM</b>	2 GB LPDDR3
<b>Storage</b>	Firmware/Application: 16 GB eMMC pSLC

# TSW-570PR

## 5 in. Wall Mount Touch Screen, Portrait, Crestron Home® OS Version

### Wired Communications

<b>Ethernet</b>	100 Mbps, auto switching, auto negotiating, auto discovery, full/half duplex, TCP/IP, UDP/IP, CIP, DHCP, SSL, TLS, SSH, SFTP (SSH File Transfer Protocol), IEEE 802.1X, SNMP, IPv4 or IPv6, Active Directory® service authentication, HTTPS web browser setup, IEEE 802.3at compliant
<b>USB</b>	USB 2.0 host

### Streaming Decoder

<b>Video Formats</b>	H.265, H.264 (MPEG-4 part 10 AVC, MJPEG)
<b>Audio Formats</b>	AAC Stereo
<b>Bitrates</b>	Up to 25 Mbps (20 Mbps maximum recommended)
<b>Input Resolutions</b>	Up to 1920x1080@30fps
<b>Protocol</b>	RTSP

### Connectors

<b>LAN PoE</b>	(1) 8-pin RJ-45 connector, female, with 2 LED indicators; 100BASE-TX Ethernet port; PoE+ PD port; Green and yellow LEDs indicate Ethernet port status
<b>USB</b>	(2) USB Type A connectors, female; USB 2.0 host ports

### Power

<b>PoE (Power over Ethernet)</b>	IEEE 802.3at Type 2 compliant PoE+ PD (Powered Device); Requests 15 W from an 802.3at Type 2 PSE with LLDP advanced power management; Requests 30 W (PoE+ Class 4) from an 802.3at Type 2 PSE without LLDP; Requests 15.4 W (PoE Class 0) from an 802.3af (or 802.3at Type 1) PSE
----------------------------------	--

### Environmental

<b>Temperature</b>	32 to 104°F (0 to 40°C)
<b>Humidity</b>	10% to 95% RH (noncondensing)
<b>Heat Dissipation</b>	44 BTU/hr

### Construction

<b>Housing</b>	Plastic, smooth black or white finish, edge-to-edge glass with black or white surround
----------------	--

### Mounting

Surface mount over a 3-3/4 in. H x 2 in. W (96 mm H x 51 mm W) cutout;  
2-13/16 in. (72 mm) minimum mounting depth;  
1-1/4 in. (32 mm) maximum mounting surface thickness;  
Pre/postconstruction mounting bracket assembly included;  
Back box option sold separately

### Dimensions

<b>Height</b>	5.02 in. (128 mm)
<b>Width</b>	2.84 in. (72 mm)
<b>Depth</b>	1.97 in. (50 mm)

### Weight

8.82 oz (250 g)

### Compliance

**Regulatory Model: M201923001**

IC, CE, FCC Part 15 Class B digital device

### Models

#### TSW-570PR-B-S

5 in. Wall Mount Touch Screen, Portrait, Crestron Home® OS Version, Black Smooth

#### TSW-570PR-W-S

5 in. Wall Mount Touch Screen, Portrait, Crestron Home® OS Version, White Smooth

### Included Accessories

#### TSW-UMB-70

Universal Mounting Bracket for TSW-70 Series

#### TSW-UMB-570P-PMK

Preconstruction Mounting Kit for TSW-UMB-70, Portrait

### Available Accessories

For supported accessories, visit the appropriate TSW-570PR product page at [www.crestron.com](http://www.crestron.com).

#### Notes:

1. Item(s) sold separately. Refer to each product's spec sheet for complete information.
2. The TSW-UMB-70 is also compatible with older TSW-UMB-PMK series preconstruction mounting kits and TSW-BBI series back boxes, allowing the TSW-570PR to be installed in place of a previous generation touch screen.

# TSW-570PR

## 5 in. Wall Mount Touch Screen, Portrait, Crestron Home® OS Version

This product may be purchased from select authorized Crestron dealers and distributors. To find a dealer or distributor, please contact the Crestron sales representative for your area. A list of sales representatives is available online at [www.crestron.com/How-To-Buy/Find-a-Representative](http://www.crestron.com/How-To-Buy/Find-a-Representative) or contact us for additional information by visiting [www.crestron.com/contact/our-locations](http://www.crestron.com/contact/our-locations) for your local contact.

The original language version of this document is U.S. English. All other languages are a translation of the original document.

The product warranty can be found at [www.crestron.com/warranty](http://www.crestron.com/warranty).

The specific patents that cover Crestron products are listed online at [www.crestron.com/legal/patents](http://www.crestron.com/legal/patents).

Certain Crestron products contain open source software. For specific information, please visit [www.crestron.com/opensource](http://www.crestron.com/opensource).

Crestron, the Crestron logo, Cresnet, Crestron Fusion, Crestron Home, DigitalMedia, Smart Graphics, and XiO Cloud are either trademarks or registered trademarks of Crestron Electronics, Inc. in the United States and/or other countries. Ad Astra is either a trademark or a registered trademark of Ad Astra Information Systems, LLC in the United States and/or other countries. CollegeNET and 25Live are either trademarks or registered trademarks of CollegeNET, Inc. in the United States and/or other countries. G Suite and Google Calendar are either trademarks or registered trademarks of Google, Inc. in the United States and/or other countries. IBM and Notes are either trademarks or registered trademarks of International Business Machines Corporation in the United States and/or other countries. Microsoft, Active Directory, Azure, Microsoft Exchange Server, Office 365, and Outlook are either trademarks or registered trademarks of Microsoft Corporation in the United States and/or other countries. UL is either a trademark or a registered trademark of Underwriters Laboratories, Inc. in the United States and/or other countries. Wall-Smart is either a trademark or registered trademark of Wall-Smart Ltd. in the United States and/or other countries. Other trademarks, registered trademarks, and trade names may be used in this document to refer to either the entities claiming the marks and names or their products. Crestron disclaims any proprietary interest in the marks and names of others. Crestron is not responsible for errors in typography or photography.

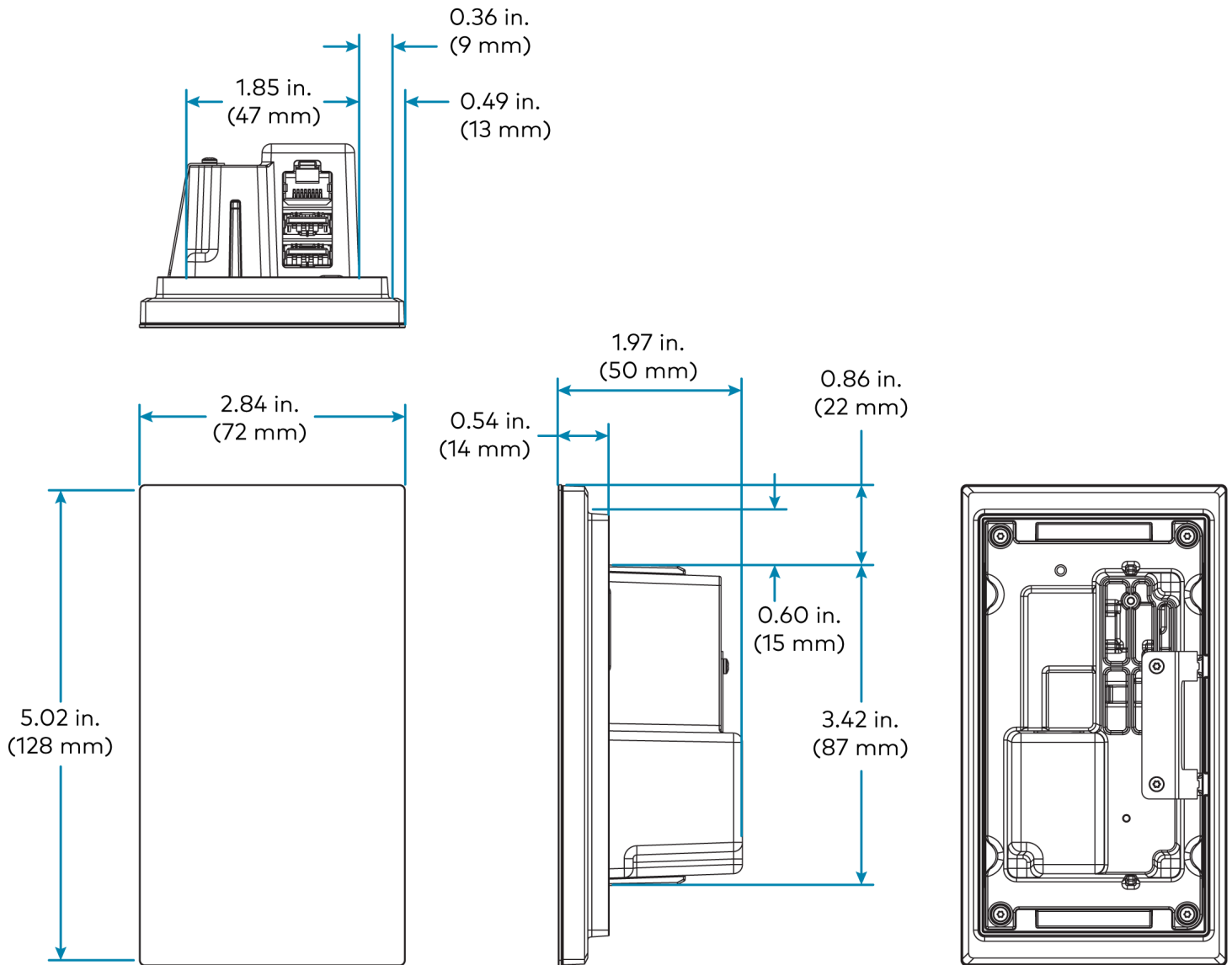
Specifications are subject to change without notice.

©2022 Crestron Electronics, Inc.

Rev 10/27/22

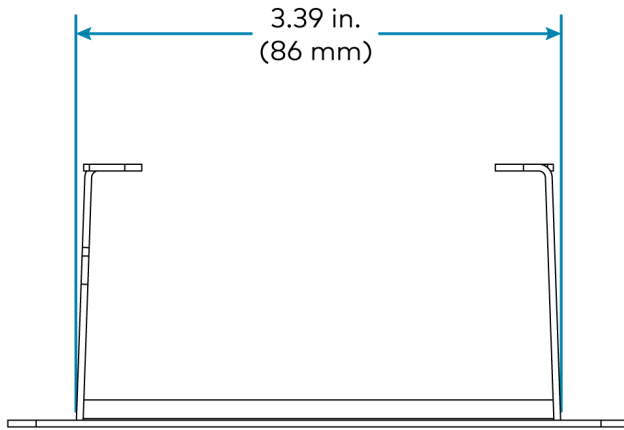
# TSW-570PR

5 in. Wall Mount Touch Screen, Portrait, Crestron Home® OS Version



# TSW-570PR

5 in. Wall Mount Touch Screen, Portrait, Crestron Home® OS Version



TSW-570 Mounting Bracket

