

TSW-560P
5" Screen, Portrait

DO Check the Box

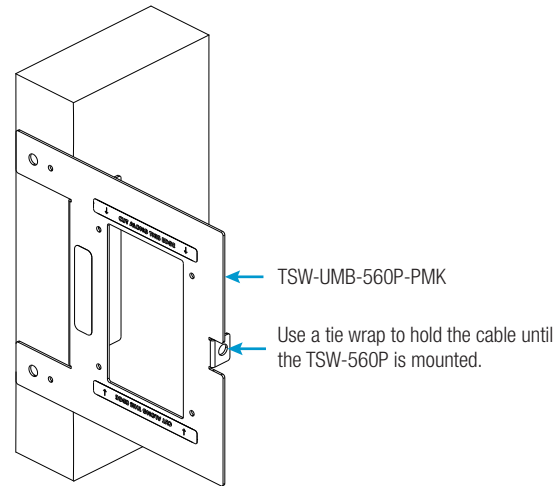
QUANTITY	PRODUCT	COLOR	PART NUMBER
1	Bracket, Preconstruction, Portrait		4525891
1	Bracket, Universal Mounting		4525127
1	Latch, Security		4525305

DO Install the TSW-560P Mounting Bracket

The Crestron® TSW-560P portrait touch screen can be mounted into drywall or other surfaces, or it can be mounted onto a wall stud. When mounted into drywall or other surfaces, the touch screen protrudes 1/2" (13 mm) from the mounting surface.

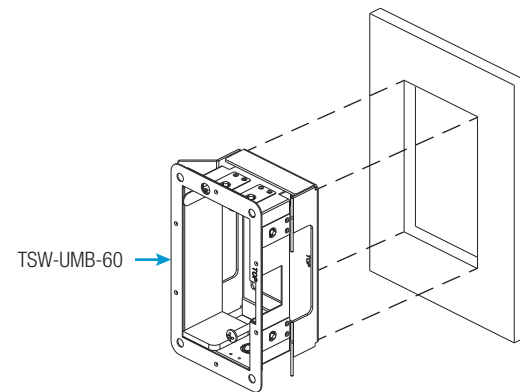
To mount the TSW-560P, use the following procedure:

1. For preconstruction applications, use standard drywall nails or screws to attach the included TSW-UMB-560P-PMK preconstruction mounting bracket to a wall stud.

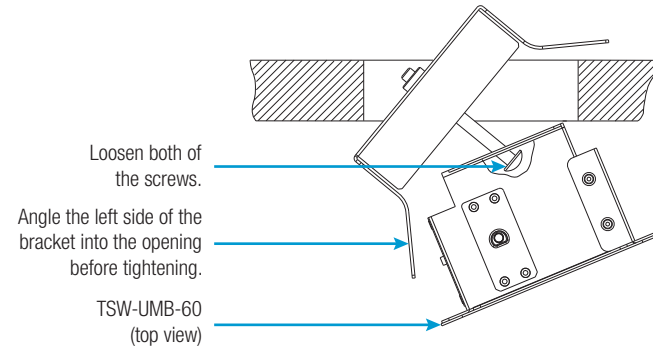


CAUTION: Allow an air gap of at least 12" (305 mm) in the wall cavity above and below the TSW-560P for heat dissipation.

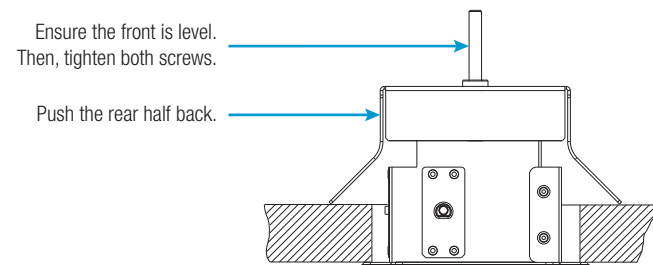
For postconstruction applications, use the TSW-UMB-560P-PMK as a cutout template by turning the bracket to face the wall, ensuring it is level, and temporarily tacking it to the wall with finishing nails (not included) in the smaller holes around the cutout opening. Trace the cutout opening with an appropriate drywall saw (not included).



2. Loosen the two screws on the top and bottom of the included TSW-UMB-60 universal mounting bracket, and then angle the left side of the TSW-UMB-60 into the opening.



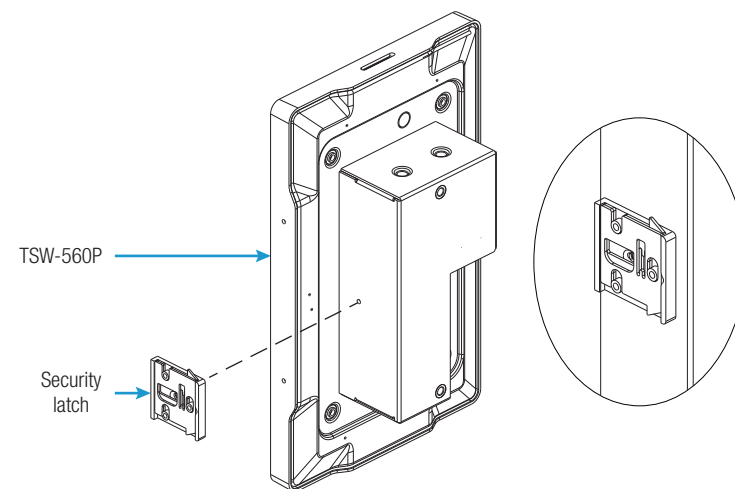
3. Reach into the TSW-UMB-60 and push the rear half back to ensure it is fully behind the mounting surface. Ensure the front of the TSW-UMB-60 is level, and then tighten the two screws to complete the installation.



CAUTION: To avoid damage to the bracket, do not overtighten the screws.

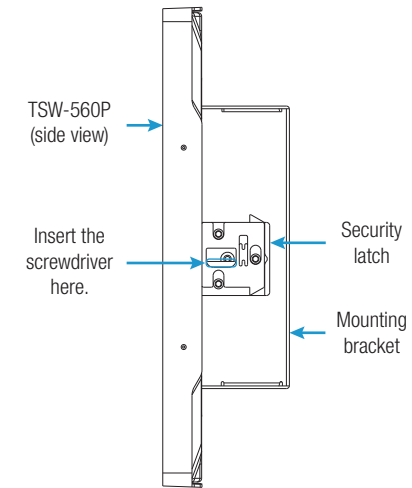
DO Install the TSW-560P Security Latch

The TSW-560P comes with a security latch, which can be installed so that TSW-560P cannot be easily removed from the mounting bracket after installation.



Use a small Phillips screwdriver to install the security latch on the TSW-560P rear housing as shown in the illustration above. Install the security latch before inserting the TSW-560P into the mounting bracket.

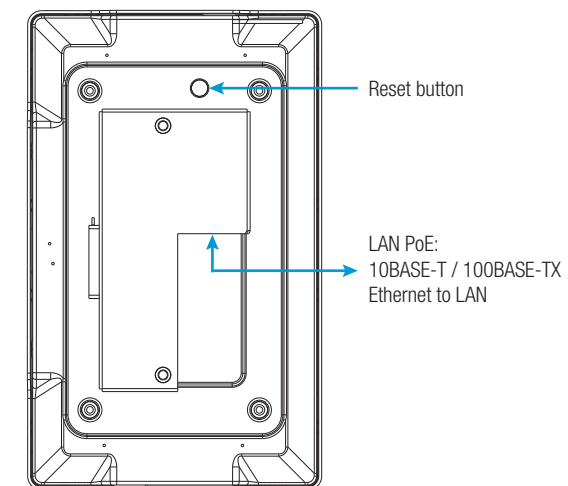
To remove the TSW-560P after installation is complete, pull it away from the wall until the security latch makes contact with the mounting bracket. Then, insert a flat-head screwdriver into the slot on the security latch and push the latch into the open position, causing the security latch arms to retract. While the arms are retracted, pull on the TSW-560P to disengage it from the mounting bracket.



NOTE: There is a small amount of "play" in the bracket mounting, which allows room for the screwdriver.

DO Complete the Installation

Connect the TSW-560P using Crestron power supplies for Crestron equipment. Power and data connection to the TSW-560P is provided by a single Ethernet cable that is connected to the LAN port on the rear of the unit. A Crestron PoE (Power over Ethernet) power supply, such as the PWE-4803RU, or a PoE-capable network switch is recommended (neither is included). Apply power after the Ethernet cable is connected.



Once all connections to the TSW-560P have been made, carefully hold it over the mounting bracket and gently place it in position.

NOTE: If the TSW-560P is not level after installation, pull it out of the mounting bracket and slightly loosen the screws holding the bracket into place. This procedure allows the mounting bracket to be slightly rotated. Once the mounting bracket has been repositioned, retighten the screws, reinstall the TSW-560P to the bracket, and ensure that it is now level.



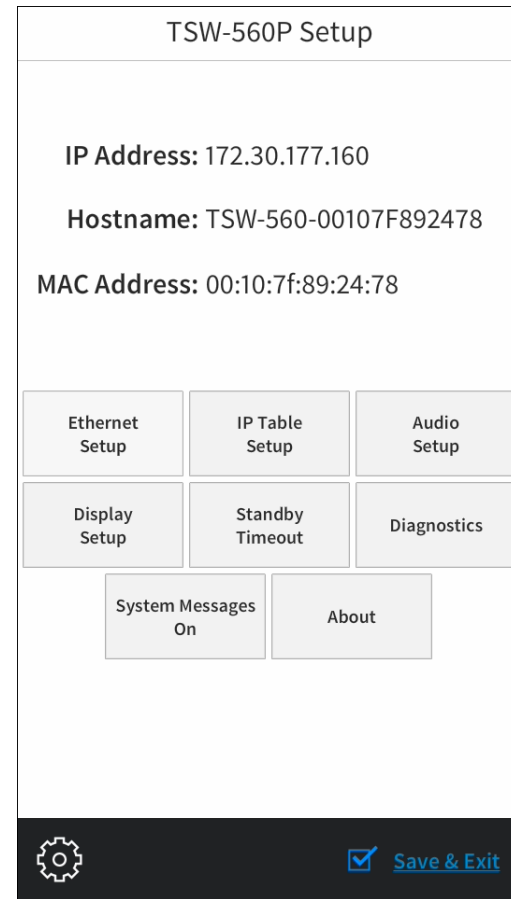
DO Access the Setup Screens

NOTE: The TSW-560P can take up to 120 seconds to boot.

When power is applied for the first time, the following screen appears:

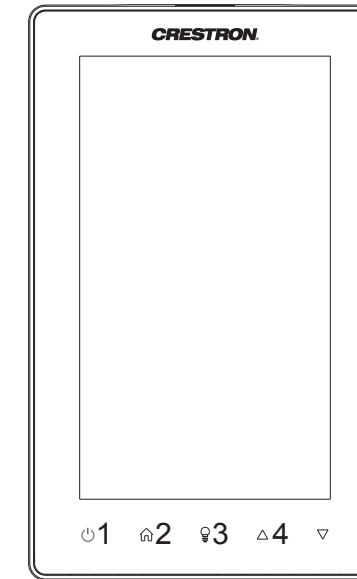


Tap this screen to display the **TSW-560P Setup** screen.



NOTE: During regular operation of the touch screen, there are four ways to activate setup functions:

- Place a button on the project main page, and assign the reserved join number (17242) that activates setup.
- Tap the hard keys labeled below as 1, 2, 3, and 4 in sequence twice (tap 1, 2, 3, 4, 1, 2, 3, 4) within a 5-second period.
- Place five fingers on the display and hold for 15 seconds.
- Enter the IP address of the TSW-560P into a web browser.



DO Configure the TSW-560P

Use the setup screens to configure various settings for the touch screen, including Ethernet setup, IP table setup, audio setup, display setup, standby timeout, and diagnostics. For more information about configuring the touch screen, refer to the TSW-560, TSW-760, and TSW-1060 Supplemental Guide (Doc. 7927) at www.crestron.com/manuals.

DO Learn More

Visit the website for additional information and the latest firmware updates. To learn more about this product, use a QR reader application on your mobile device to scan the QR image.

Crestron Electronics

15 Volvo Drive, Rockleigh, NJ 07647
888.CRESTRON | www.crestron.com



As of the date of manufacture, the product has been tested and found to comply with specifications for CE marking.



This product is Listed to applicable UL® Standards and requirements tested by Underwriters Laboratories Inc. Ce produit est homologué selon les normes et les exigences UL applicables par Underwriters Laboratories Inc.

This unit is for indoor use only. It is not intended for outdoor use.

Cet appareil est réservé à une utilisation en intérieur. Il n'est pas destiné à une utilisation en extérieur.

Federal Communications Commission (FCC) Compliance Statement

This device complies with part 15 of the FCC Rules. Operation is subject to the following two conditions:

(1) This device may not cause harmful interference, and (2) this device must accept any interference received, including interference that may cause undesired operation.

CAUTION: Changes or modifications not expressly approved by the manufacturer responsible for compliance could void the user's authority to operate the equipment.

NOTE: This equipment has been tested and found to comply with the limits for a Class B digital device, pursuant to part 15 of the FCC Rules. These limits are designed to provide reasonable protection against harmful interference in a residential installation. This equipment generates, uses and can radiate radio frequency energy and, if not installed and used in accordance with the instructions, may cause harmful interference to radio communications. However, there is no guarantee that interference will not occur in a particular installation.

If this equipment does cause harmful interference to radio or television reception, which can be determined by turning the equipment off and on, the user is encouraged to try to correct the interference by one or more of the following measures:

- Reorient or relocate the receiving antenna.
- Increase the separation between the equipment and receiver.
- Connect the equipment into an outlet on a circuit different from that to which the receiver is connected.
- Consult the dealer or an experienced radio/TV technician for help.

Industry Canada (IC) Compliance Statement

CAN ICES-3(B)/NMB-3(B)

Crestron product development software is licensed to Crestron dealers and Crestron Service Providers (CSPs) under a limited non-exclusive, non-transferable Software Development Tools License Agreement. Crestron product operating system software is licensed to Crestron dealers, CSPs, and end-users under a separate End-User License Agreement. Both of these Agreements can be found on the Crestron website at www.crestron.com/legal/software_license_agreement.

The specific patents that cover Crestron products are listed at www.crestron.com/legal/patents.

Certain Crestron products contain open source software. For specific information, please visit www.crestron.com/opensource.

Crestron and the Crestron logo are either trademarks or registered trademarks of Crestron Electronics, Inc., in the United States and/or other countries. UL and the UL logo are either trademarks or registered trademarks of Underwriters Laboratories in the United States and/or other countries. Other trademarks, registered trademarks, and trade names may be used in this document to refer to either the entities claiming the marks and names of their products. Crestron disclaims any proprietary interest in the marks and names of others. Crestron is not responsible for errors in typography or photography.

This document was written by the Technical Publications department at Crestron.

©2017 Crestron Electronics, Inc.

The product warranty can be found at www.crestron.com/warranty.