

UC-M70-T

Crestron Flex Tabletop Large Room Video Conference System for Microsoft Teams® Rooms



- *Tabletop video conferencing solution for a Microsoft Teams® Rooms environment*
- *Native Microsoft Teams® Rooms touch screen UI provides a consistent, simple user experience with one-touch meeting joins*
- *Complete kit contains a Crestron Flex tabletop conference device, AI collaboration camera, UC bracket assembly, microphone pod, power supply, and cables — just add a display and mount*
- *Easy to specify and install — no custom design, programming, or software installation required*
- *Optional integration with Crestron® control systems*
- *Direct connection option between UC Engine and Crestron Flex tabletop conference device for simple installation and configuration*
- *Network management and provisioning, system alerts, and Crestron Flex tabletop conference device pairing to the system's UC Engine through the XiO Cloud® service*
- *Premium-level support with Crestron Flex Care (optional)*
- *Enterprise-grade security - connects and communicates securely over any enterprise or SMB network*
- *Supports single or dual video displays (not included)*

The UC-M70-T Crestron Flex tabletop conferencing system provides a large room video conference solution for use with Microsoft Teams® Rooms software. It supports single or dual video displays¹ (not included) and features a Crestron Flex tabletop conference device, AI collaboration camera, UC bracket assembly, microphone pod, power supply, and cables.

Native Microsoft Teams® Rooms Experience

The UC-M70-T system brings the full Microsoft Teams Rooms UC experience to any meeting space in an enterprise or SMB facility.

Intuitive User Interface with Impressive Audio

With a large 7 in. HD color touch screen and an integrated AEC-enabled USB speakerphone that affords full-duplex wideband audio performance, the Crestron Flex Tabletop Conference device (CCS-UC-1-T-V) provides a superior conferencing and collaboration experience for meeting rooms, huddle spaces, and executive offices. The conference device also offers optional control of room lighting, shades, thermostats, and other equipment.²

Simplified Deployment

The UC Bracket Assembly provides preassembled components on one ready-to-mount bracket to simplify installation. The assembly can be mounted on a wall, or it can be attached to the rear of the display device. Crestron's direct connection method further simplifies installation with a single connection from the Crestron Flex tabletop conference device to the UC Bracket Assembly.³

High-Definition Video Conferencing

The included AI collaboration camera ([UC-CAM-L1](#)) features a wide-angle 103° diagonal field of view to capture an entire conference room in Full HD 1080p video resolution. High precision aspherical optics, 20.30 MP CMOS sensor, and advanced video processing ensure a clear video image free from light or noise artifacts. Genius Framing digital autozoom intelligently detects the people in the room and frames them for an optimal view.

Crestron Control System Integration

The UC-M70-T integrates with a Crestron control system to enable touch screen control of room lighting, motorized window shades, climate control, AV, and other amenities.²

Enterprise-Grade Security

Crestron Flex is an enterprise-grade solution, engineered in partnership with Microsoft to integrate seamlessly into any Microsoft Teams Rooms software deployment. Crestron Flex is ideally equipped for mass deployment throughout any sized corporate, university, medical, military, or government facility.

Easy Provisioning and Device Management

The XiO Cloud service is an IoT cloud based provisioning service (available separately) that enables installers and IT

UC-M70-T

Crestron Flex Tabletop Large Room Video Conference System for Microsoft Teams® Rooms

managers to easily deploy and manage thousands of devices. The XiO Cloud service provides system alerts, network management and provisioning, and the pairing of a control device to the system's UC Engine. System updates are controlled by Windows® software update.

Visit www.crestron.com/xiocloud for additional information.

Premium-Level Support

Crestron Flex Care is an optional subscription service that automatically renews annually, providing 24/7 live remote technical support, an extended five year warranty on Crestron® branded hardware, expedited advance replacements, and a discounted rate for on-site support.

Visit www.crestron.com/flexcare for detailed terms and conditions and additional information.

Dual Control Option

A TS- or TSW- 70 series 10.1 in. touch screen may be added to the solution as an additional control point for the Microsoft Teams Rooms environment.^{2,3}

Deployment Resources

View the [Crestron Flex Pre-Deployment Checklist](#) to help plan your Crestron Flex installation.

Specifications

Included Components

CCS-UC-1-T-V	Crestron Flex tabletop conferencing device: <ul style="list-style-type: none">Cable, CAT5e, RJ-45-to-RJ-45, 12 ft (3.66 m);Cable management hardware
UC-BRKT-200-S-T-ASSY	UC Bracket Assembly comprised of: <ul style="list-style-type: none">UC Engine: Mini PC with Microsoft Teams videoADPT-USB-ENET: USB-to-Ethernet AdapterHDMI® to USB 3.0 converter for content ingestMounting hardware
UC-CAM-L1	AI collaboration camera
CCS-UCA-MIC	Extension microphone pod
CBL-4K-DP-HD-6	DisplayPort™ to HDMI Cable, 6 ft (1.8 m); secondary display

[CBL-CAT5E-7](#)

Ethernet LAN cable for UC Engine, RJ-45-to-RJ-45, black, 7 ft (2.1 m)

[CBL-HD-6](#)

HDMI Interface Cable, 6 ft (1.8 m); primary display

[CBL-HD-20](#)

HDMI Interface Cable, 20 ft (6.1 m); content sharing

[CBL-USB-A-BMICRO-6](#)

USB Cable, USB Type A Male to Micro-B Male cable, 6 ft (1.8 m)

[CBL-USB-A-EXT-15](#)

USB Extension Cable, USB Type A Male-to-Female, 15 ft (4.6 m)

[DM-CBL-ULTRA-PC-20](#)

Ethernet LAN cable, CAT6a, RJ-45-to-RJ-45, blue, 20 ft (6.1 m)

[PW-2420RU](#)

Universal power supply and power cord

Crestron Flex tabletop conferencing device

Touch Screen	7 in. (178 mm) diagonal capacitive multi-touch TFT active matrix color LCD, 1280 x 800 pixels
UI	Microsoft Teams Rooms UI plus optional Crestron room control UI ²
Mic Mute Symbol and Light Bar	(2) Capacitive buttons with bi-color LEDs, either button toggles between mute and unmute
AEC	Limes Audio TrueVoice® acoustic echo cancellation, automatic mic mixing, automatic gain control, and dynamic noise reduction, full-duplex IEEE 1329 Type 1 compliant
Speaker	Full range speaker; Amplifier Power: 11 W; 95 dB SPL at 0.5 m maximum output; Frequency Response: 90 Hz to 22 kHz
Microphones	360° quad mic array; Pickup Range (typical): 20 ft (6 m)
Extension Microphones	Supports two mic pods, model CCS-UCA-MIC (sold separately)
Occupancy Sensor	6 ft (1.83 m) PIR range in front of touch screen
Ethernet	100 Mbps, auto-switching, auto-negotiating, auto-discovery, full/half duplex, DHCP, TCP/IP, UDP/IP, CIP, SSL, TLS, SSH, SFTP (SSH File Transfer Protocol), SRTP, IEEE 802.1X, Active Directory authentication, digest access authentication, password login, XiO Cloud client, Microsoft Intune® client, IEEE 802.3at Type 2 PoE+ compliant

UC-M70-T

Crestron Flex Tabletop Large Room Video Conference System for Microsoft Teams® Rooms

USB	USB 2.0 micro Type B device port, supports UAC for audio interface to UC Engine (cable included)
Power Options	PoE+: IEEE 802.3at Type 2, Class 4 (25.5 W) PoE+ Powered Device

NOTE: If the additional mic pod (CCS-UCA-MIC) is used, PoE+ cannot be used to power the device.

Dimensions	24VDC: 24VDC via external 100-240VAC, 50/60 Hz power pack, model PW-2420RU Height: 4.11 in. (104 mm) Width: 8.92 in. (227 mm) Depth: 12.74 in. (324 mm)
Weight	5.5 lb (2.5 kg)

Microphone Pod

Model	CCS-UCA-MIC
Communications	A2B bus protocol, slave, synchronous data, multichannel I2S/TDM to I2S/TDM
Microphone	Triple mic array with (3) cardioid electret elements
Pickup Range	20 ft (6 m) typical, 360°
Mic Mute	(1) Capacitive button with bi-color LED, toggles between mute and unmute (affects all system mics)
Connectors	(2) RJ9 4P4C connector, female
Power	Powered via the CCS-UC-1-T-V through the A2B bus
Dimensions	Height: 0.97 in (25 mm) Width: 3.81 in (97 mm) Depth: 3.42 in (87 mm)

Camera

Image Sensor	20.30 Megapixels 1 in. CMOS Sensor
Lens	High precision, wide angle, aspherical glass lens
Field of View	103° diagonal, 92° horizontal, 65° vertical
Aperture	f/2.9
Autozoom	Genius Framing automatic lossless digital zoom intelligently frames around people in the room
Connectivity	USB 3.0 port (via USB to PoE Adapter)
Power	5VDC power adapter
Resolution/FPS	HD 1080p @ 30 fps

Dimensions	Height: 2.1 in. (53 mm) Width: 4.8 in. (122 mm) Depth: 3.5 in. (89 mm)
Weight	1.3 lb (0.6 kg)

UC Bracket Assembly

UC Engine	Mini PC, Intel Core® processor with Windows® 10 IoT Edition OS and 100/1000 Mbps Ethernet connectivity
UC Client	Microsoft Teams Rooms
Management Client	XiO Cloud Service
Content Ingest	HDMI input via HDMI to USB 3.0 converter
Display Output	Single or dual display support ¹
Display Output Resolution	1080p
Power	100-240VAC, 50/60 Hz adapter (included)
Construction	Metal mounting bracket, black, preassembled with UC Engine and HDMI to USB 3.0 converter
Mounting	Surface wall mount behind the display device, or attach to the rear of the display device via the bolts attaching the display to a VESA® compliant display mount; Bracket includes mounting holes on both side edges, spaced 100, 200, and 300 mm vertically, to allow for attachment to either side of the display mounting plate
Dimensions	Height: 15.00 in. (381 mm) Width: 14.50 in. (368 mm) Depth: 1.87 in. (48 mm) (UC Bracket Assembly with HD-CONV-USB-200) 1.93 in. (49 mm) (UC Bracket Assembly with HD-CONV-USB-300)
Weight	7.7 lb (3.5 kg) (UC Bracket Assembly with HD-CONV-USB-200) 7.95 lb (3.6 kg) (UC Bracket Assembly with HD-CONV-USB-300)

UC-M70-T

Crestron Flex Tabletop Large Room Video Conference System for Microsoft Teams® Rooms

Model

UC-M70-T

Crestron Flex Tabletop Large Room Video Conference System for Microsoft Teams® Rooms

Available Accessories

For a list of available accessories, visit the [UC-M70-T](#) product page.

Notes:

1. Display must support "Wake on Sync" and "Sleep on No Sync" functionality. Consult the display manufacturer's specifications or internal settings of the specific display.
2. Room control capability (lighting, shades, thermostats, etc.) requires additional equipment and commissioning to be provided by a Crestron authorized integrator and/or programmer. Additional costs may apply.
3. A maximum of two touch screens or one touch screen and one Crestron Mercury device can be accommodated by the system. Only one control device may be connected via direct connection method.

This product may be purchased from select authorized Crestron dealers and distributors. To find a dealer or distributor, please contact the Crestron sales representative for your area. A list of sales representatives is available online at www.crestron.com/How-To-Buy/Find-a-Representative or contact us for additional information by visiting <https://www.crestron.com/contact/our-locations> for your local contact.

This product is covered under the Crestron standard limited warranty. Refer to www.crestron.com/warranty for full details.

The specific patents that cover Crestron products are listed online at patents.crestron.com.

Certain Crestron products contain open source software. For specific information, please visit www.crestron.com/opensource.

Crestron, the Crestron logo, and XiO Cloud are either trademarks or registered trademarks of Crestron Electronics, Inc. in the United States and/or other countries. TrueVoice is either a trademark or registered trademark of Google Inc. in the United States and/or other countries. HDMI is either a trademark or registered trademark of HDMI Licensing LLC in the United States and/or other countries. Intel Core is either a trademark or registered trademark of Intel Corporation in the United States or other countries. Active Directory, Microsoft Intune, Microsoft Teams, and Windows are either trademarks or registered trademarks of Microsoft Corporation in the United States and/or other countries. USB-C is either a trademark or registered trademark of USB Implementers Forum, Inc. in the United States and/or other countries. DisplayPort and VESA are either trademarks or registered trademarks of Video Electronics Standards Association in the United States and/or other countries. Other trademarks, registered trademarks, and trade names may be used in this document to refer to either the entities claiming the marks and names or their products. Crestron disclaims any proprietary interest in the marks and names of others. Crestron is not responsible for errors in typography or photography.

Specifications are subject to change without notice.

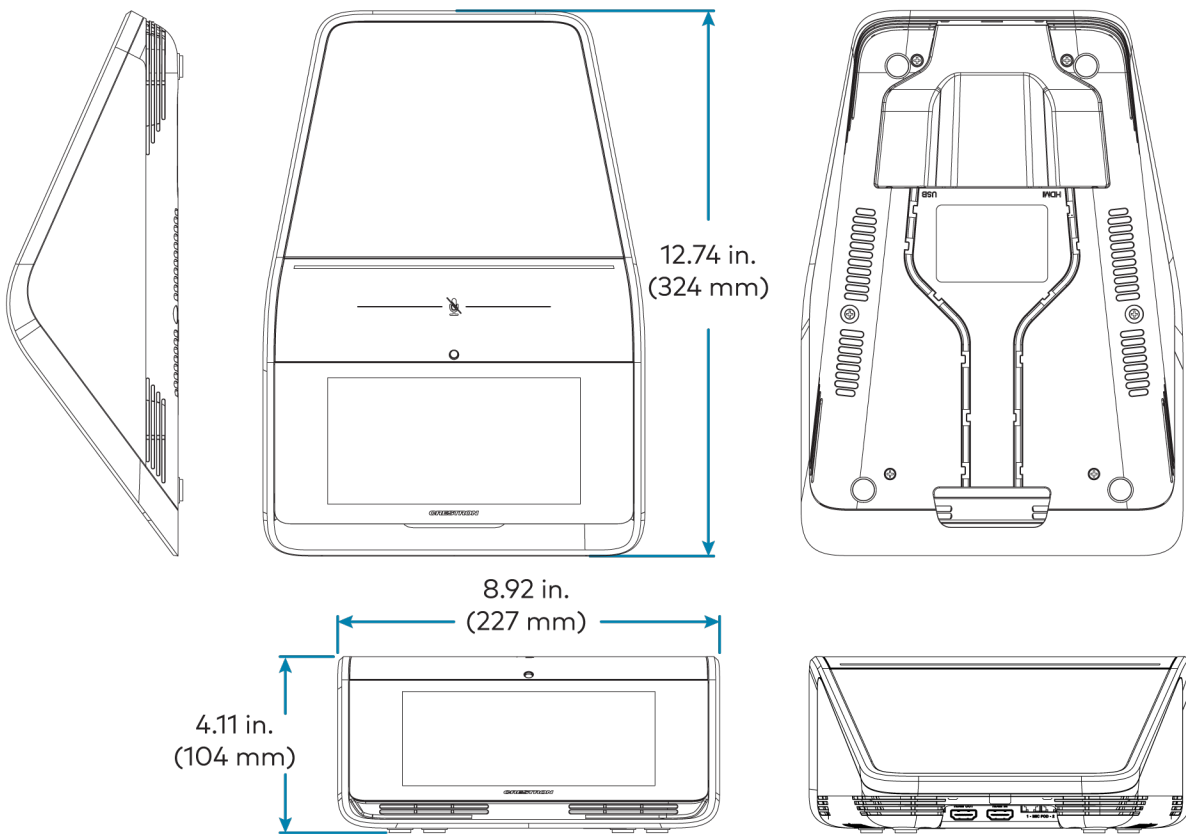
©2023 Crestron Electronics, Inc.

Rev 08/18/23

UC-M70-T

Crestron Flex Tabletop Large Room Video Conference System for Microsoft Teams® Rooms

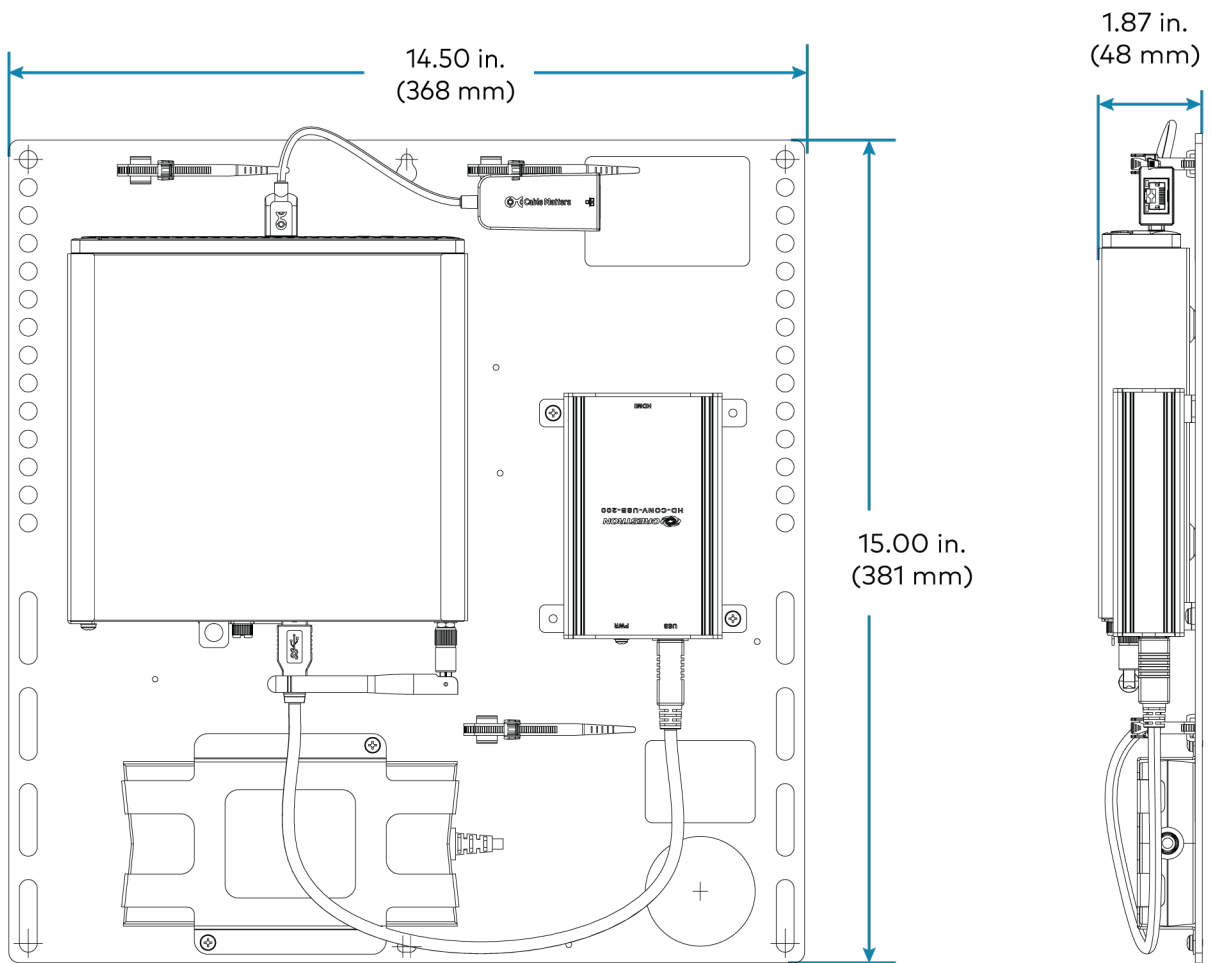
Crestron Flex Tabletop Conference Device (CCS-UC-1-T-V)



UC-M70-T

Crestron Flex Tabletop Large Room Video Conference System for Microsoft Teams® Rooms

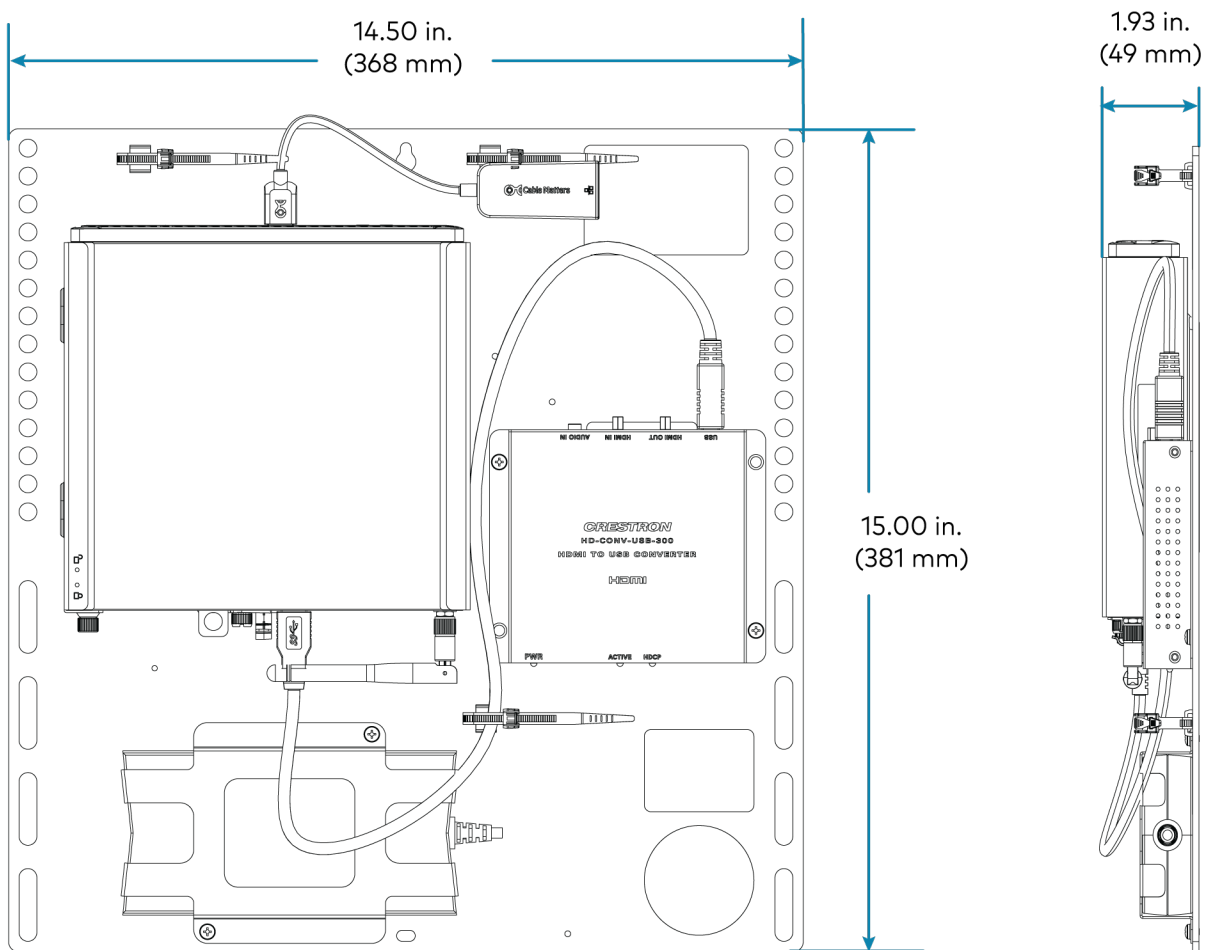
UC Bracket Assembly with HD-CONV-USB-200



UC-M70-T

Crestron Flex Tabletop Large Room Video Conference System for Microsoft Teams® Rooms

UC Bracket Assembly with HD-CONV-USB-300



UC-M70-T

Crestron Flex Tabletop Large Room Video Conference System for Microsoft Teams® Rooms

Mic Pod (CCS-UCA-MIC)

