

# TS-1080-UC-B

## 10.1 in. Tabletop Touch Screen, Unified Communication Version



- Next generation Crestron tabletop touch screen featuring integrated UC system control
- 10.1 in. (257 mm) widescreen active-matrix color display and 1920x1200 WUXGA display resolution
- Capacitive touch screen display
- Built-in speakers
- Built-in Bluetooth® communications beacon
- Pairs with AirMedia® devices to act as an AirMedia controller
- Single wire Ethernet connection with PoE or PoE+ power
- Wi-Fi® network connectivity
- Enterprise grade security and authentication
- Web or device-based configuration

The Crestron **TS-1080-UC-B** tabletop touch screen is ideal for enterprise applications and is designed to interface with a compatible [UC system](#). The TS-1080-UC-B features a 10.1 in. (257 mm) capacitive touch screen display. PoE and Wi-Fi® network connectivity and a comprehensive assortment of mounting accessories simplify new and retrofit installations.

### UC System Compatibility

The TS-1080-UC-B is capable of interfacing with a compatible UC system. The TS-1080-UC-B integrates directly with [Crestron Collab Compute](#) and [Crestron Videobar 70](#) to allow the user to control their meeting space, including lighting, shades, and other AV equipment.

### BYOD Conferencing with Collab Compute (Coming Soon)

The TS-1080-UC-B can connect to a laptop or personal device via USB-C connection for presentation and conferencing via [Crestron Collab Compute](#). This conferencing solution shares screen content, presentation data, and gives access to a meeting room's cameras, microphones, and speakers.

### AirMedia Control

When paired with an [AirMedia®](#) Series 3 Receiver, the TS-1080-UC-B can act as a dedicated AirMedia controller. The control interface is downloaded directly from the cloud, eliminating the need for custom programming and simplifying room deployment.

### Wired Connectivity

An Ethernet LAN connection is all that is required to install the TS-1080-UC-B, containing all control, video, and power signals within a single wire.

### Power over Ethernet

Using PoE technology, the TS-1080-UC-B gets its operating power directly through the network cable. PoE (Power over Ethernet) eliminates the need for a local power supply or any dedicated power wiring. Crestron PoE switches offer a total networking solution with built in PoE for multiple touch screens. Refer to the full list of supported PoE switches [here](#).

**NOTE:** Refer to the Power specifications for more details.

### Enterprise-Grade Security

Crestron touch screens employ enterprise-grade networking with robust security features such as 802.1X authentication, MDEP, TLS encryption, HTTPS connectivity, and Active Directory® service integration.

## Specifications

### Touch Screen Display

<b>Display Type</b>	TFT active matrix color LCD
<b>Size</b>	10.1 in. (257 mm) diagonal
<b>Aspect Ratio</b>	16:10 WXGA
<b>Resolution</b>	1920 x 1200 pixels
<b>Brightness</b>	Minimum: 350 nits (cd/m <sup>2</sup> ) Maximum: 400 nits (cd/m <sup>2</sup> )
<b>Contrast</b>	1000:1
<b>Color Depth</b>	24 bit, 16.7M colors
<b>Illumination</b>	Edgelit LED with auto brightness control
<b>Viewing Angle</b>	±80° horizontal, ±80° vertical
<b>Touch Screen</b>	Projected capacitive, 5 point multitouch capable

### Buttons

<b>Virtual Buttons</b>	(5) Virtual buttons in collapsible universal tool bar, per button show/hide, preconfigured with icons for Power, Home, Lights, Up, Down
<b>Reset</b>	(1) Pin hole on bottom for hardware reset

### Memory

<b>RAM</b>	8GB LPDDR4
<b>Storage</b>	40GB eMMC pSLC
<b>Maximum Project Size</b>	1000 MB

# TS-1080-UC-B

## 10.1 in. Tabletop Touch Screen, Unified Communication Version

### Wired Communications

<b>Ethernet</b>	1000Mbps, autoswitching, autonegotiating, autodiscovery, full/half duplex, TCP/IP, UDP/IP, CIP, DHCP, SSL, TLS, SSH, SFTP (SSH File Transfer Protocol), IEEE 802.1X, SNMP, IPv4 or IPv6, Active Directory® service authentication, HTTPS web browser setup, IEEE 802.3 at compliant
<b>USB</b>	USB 2.0 host for room scheduling accessories

### Wireless Communications

<b>Transceiver</b>	IEEE 802.11a/b/g/n/ac/ax Wi-Fi 6E (2.4, 5 GHz and 6GHz) 2x2 MIMO, static IP or dynamic IP via DHCP
<b>Security</b>	64 and 128-bit WEP, WPA, WPA2, WPA3, WPA Enterprise and WPA2 Enterprise
<b>Range</b>	Up to 50 ft (15 m), subject to site-specific conditions
<b>Bluetooth® Hardware</b>	BLE, BT5.2, 33 ft (10 m) typical range

### Compatible Systems

<b>UC Systems</b>	<a href="#">Crestron Videobar 70</a> <a href="#">Crestron Collab Compute</a>
<b>AirMedia</b>	<a href="#">AirMedia® Series 3</a>

### Audio

<b>Features</b>	Built-in speakers
-----------------	-------------------

### Connectors

<b>LAN PoE</b>	(1) 8-pin RJ-45 connector, female, with 2 LED indicators; 1000BASE-TX Ethernet port; PoE+ PD port; Green and yellow LEDs indicate Ethernet port status
<b>USB</b>	(1) USB Type C connector, female; USB 2.0 host port; USB 3.1 DisplayPort Alt Mode (coming soon)

### Power

<b>PoE (Power over Ethernet)</b>	IEEE 802.3at Type 2 compliant PoE+ PD (Powered Device); Requests 30 W (PoE+ Class 4) from an 802.3at Type 2 PSE without LLDP; Requests 15.4 W (PoE Class 0) from an 802.3af (or 802.3at Type 1)
----------------------------------	---

**NOTE:** Enabling the USB port requires use of an 802.3 at Type 2 PoE+ PSE.

### Environmental

<b>Temperature</b>	32 to 104°F (0 to 40°C)
--------------------	-------------------------

<b>Humidity</b>	10% to 95% RH (noncondensing)
<b>Heat Dissipation</b>	44 BTU/hr

### Construction

<b>Housing</b>	Die-cast housing, smooth black or white finish, glass with black or white surround
----------------	--

### Dimensions

<b>Height</b>	5.96 in. (151 mm)
<b>Width</b>	9.68 in. (246 mm)
<b>Depth</b>	4.53 in. (115 mm)

### Weight

2.23 lb (464 g)

### Compliance

#### Regulatory Model: M202404006

FCC Part 15 Class B, IC Class B, CE, UL® Listed for US and Canada/Intertek®

### Model

#### TS-1080-UC-B

10.1 in. Tabletop Touch Screen, Unified Communication Version

### Available Accessories

For supported accessories, visit the TS-1080-UC-B product page at [www.crestron.com](http://www.crestron.com).

Notes:

1. Certain other functions require an Internet connection.
2. Item(s) sold separately. Refer to each product's spec sheet for complete information.
3. A complete Zoom Rooms® solution requires a mini PC or Mac® computer running Zoom software, a Zoom Rooms subscription, plus additional peripherals and cables. Visit [zoom.us/zoomrooms](http://zoom.us/zoomrooms) for more information about Zoom Rooms capabilities, hardware requirements, and subscription plans. For design assistance, contact the Crestron True Blue support team at [www.crestron.com/support](http://www.crestron.com/support).

This product may be purchased from select authorized Crestron dealers and distributors. To find a dealer or distributor, please contact the Crestron sales representative for your area. A list of sales representatives is available online at [www.crestron.com/How-To-Buy/Find-a-Representative](http://www.crestron.com/How-To-Buy/Find-a-Representative) or contact us for additional information by visiting [www.crestron.com/contact/our-locations](http://www.crestron.com/contact/our-locations) for your local contact.

The original language version of this document is U.S. English. All other languages are a translation of the original document.

The product warranty can be found at [www.crestron.com/warranty](http://www.crestron.com/warranty).

The specific patents that cover Crestron products are listed online at [www.crestron.com/legal/patents](http://www.crestron.com/legal/patents).

# TS-1080-UC-B

## 10.1 in. Tabletop Touch Screen, Unified Communication Version

Certain Crestron products contain open source software. For specific information, please visit [www.crestron.com/opensource](http://www.crestron.com/opensource).

Crestron, the Crestron logo, AirMedia, Cresnet, Crestron Fusion, Crestron Home, Crestron One, DigitalMedia, Smart Graphics, Sonnex, are either trademarks or registered trademarks of Crestron Electronics, Inc. in the United States and/or other countries. Ad Astra is either a trademark or a registered trademark of Ad Astra Information Systems, LLC in the United States and/or other countries. Bluetooth is either a trademark or registered trademark of Bluetooth SIG, Inc. in the United States and/or other countries. CollegeNET and 25Live are either trademarks or registered trademarks of CollegeNET, Inc. in the United States and/or other countries. G Suite and Google Calendar are either trademarks or registered trademarks of Google, Inc. in the United States and/or other countries. IBM and Notes are either trademarks or registered trademarks of International Business Machines Corporation in the United States and/or other countries. Microsoft, Active Directory, Azure, Microsoft Exchange Server, Microsoft 365, and Outlook are either trademarks or registered trademarks of Microsoft Corporation in the United States and/or other countries. Apple, Apple Music, Apple TV, and Macintosh are either trademarks or registered trademarks of Apple, Inc. in the United States and/or other countries. UL is either a trademark or a registered trademark of Underwriters Laboratories, Inc. in the United States and/or other countries. Wi-Fi is either a trademark or registered trademark of Wi-Fi Alliance in the United States and/or other countries. Other trademarks, registered trademarks, and trade names may be used in this document to refer to either the entities claiming the marks and names or their products. Crestron disclaims any proprietary interest in the marks and names of others. Crestron is not responsible for errors in typography or photography.

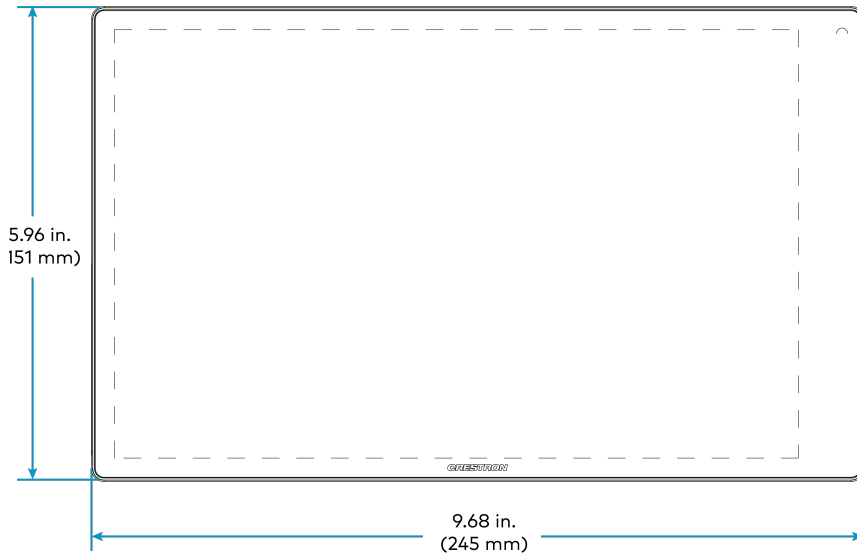
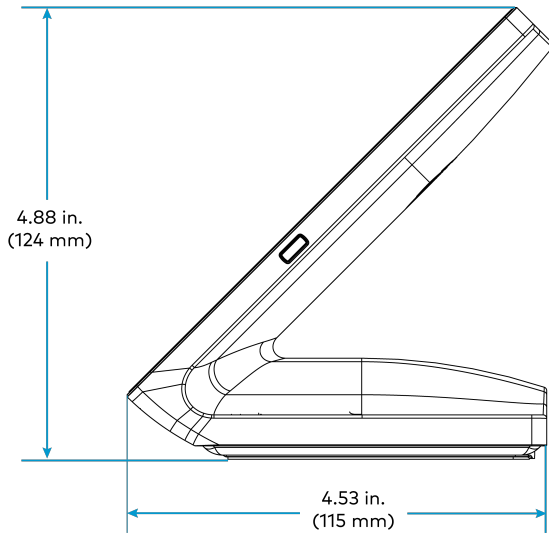
Specifications are subject to change without notice.

©2026 Crestron Electronics, Inc.

Rev 01/16/26

# TS-1080-UC-B

## 10.1 in. Tabletop Touch Screen, Unified Communication Version



# TS-1080-UC-B

10.1 in. Tabletop Touch Screen, Unified Communication Version

