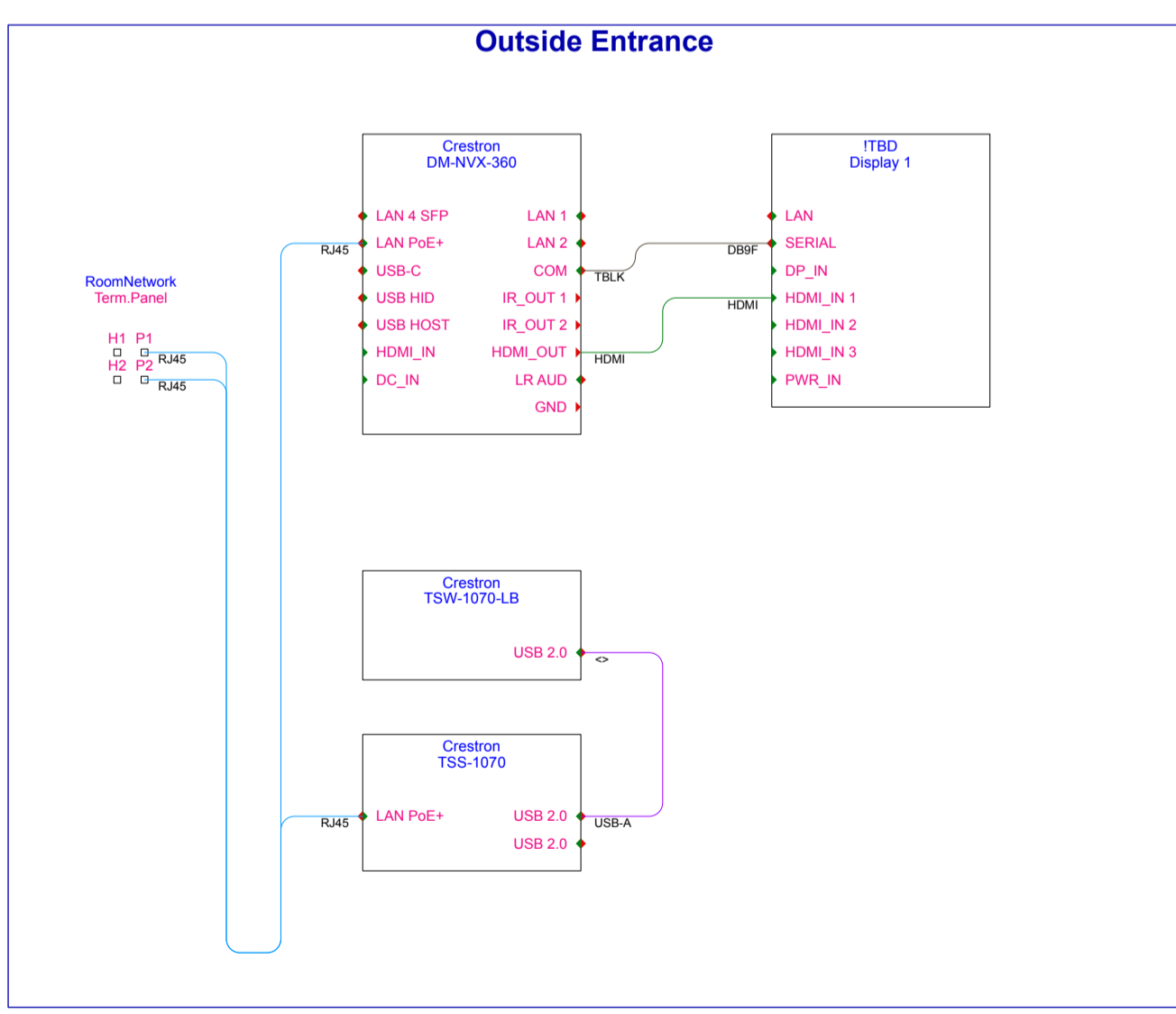
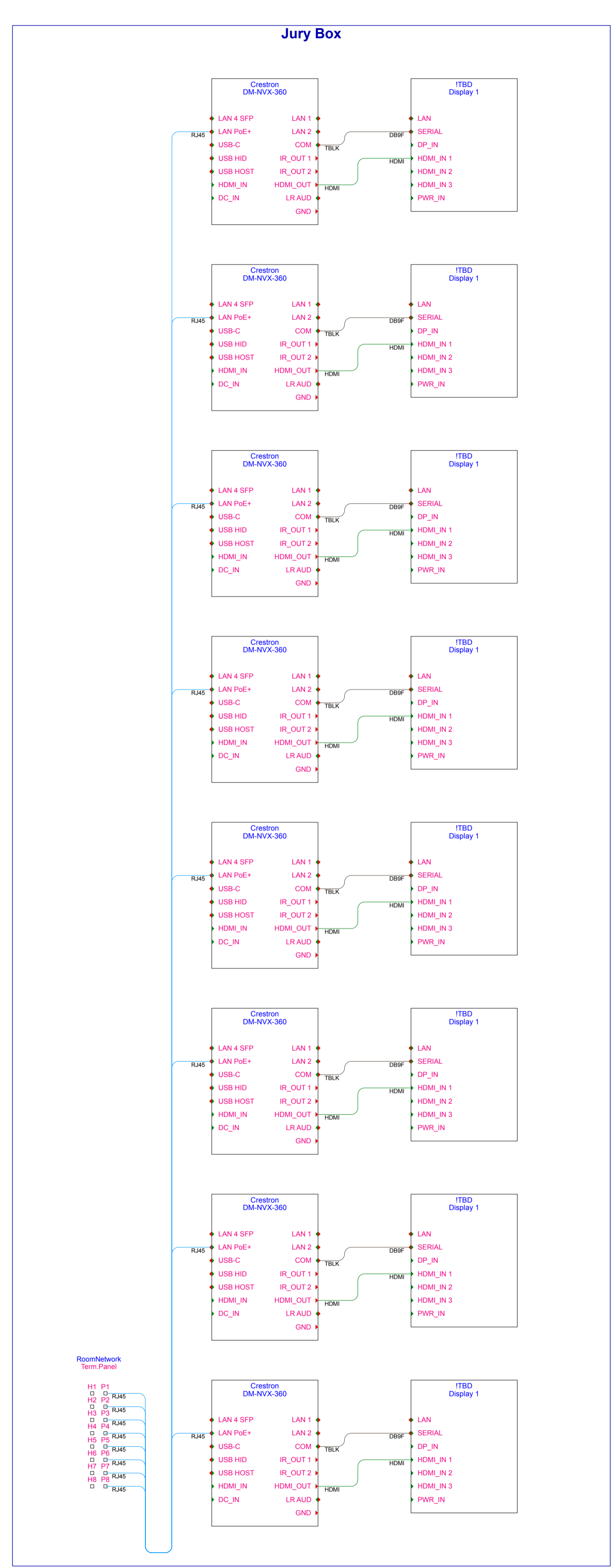
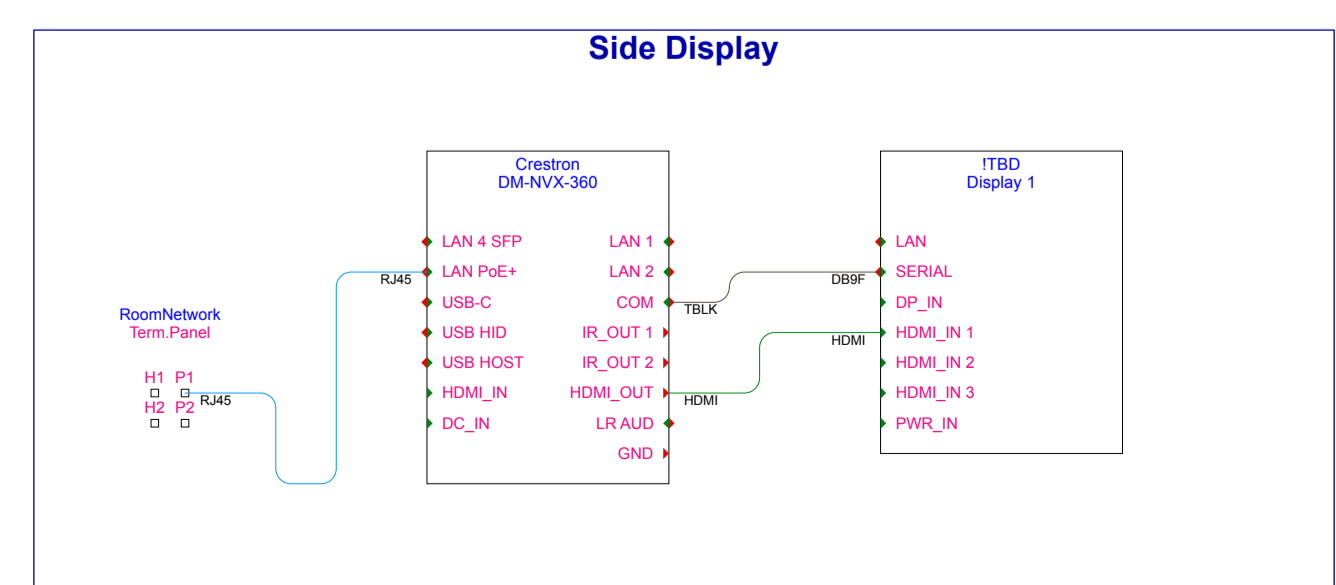
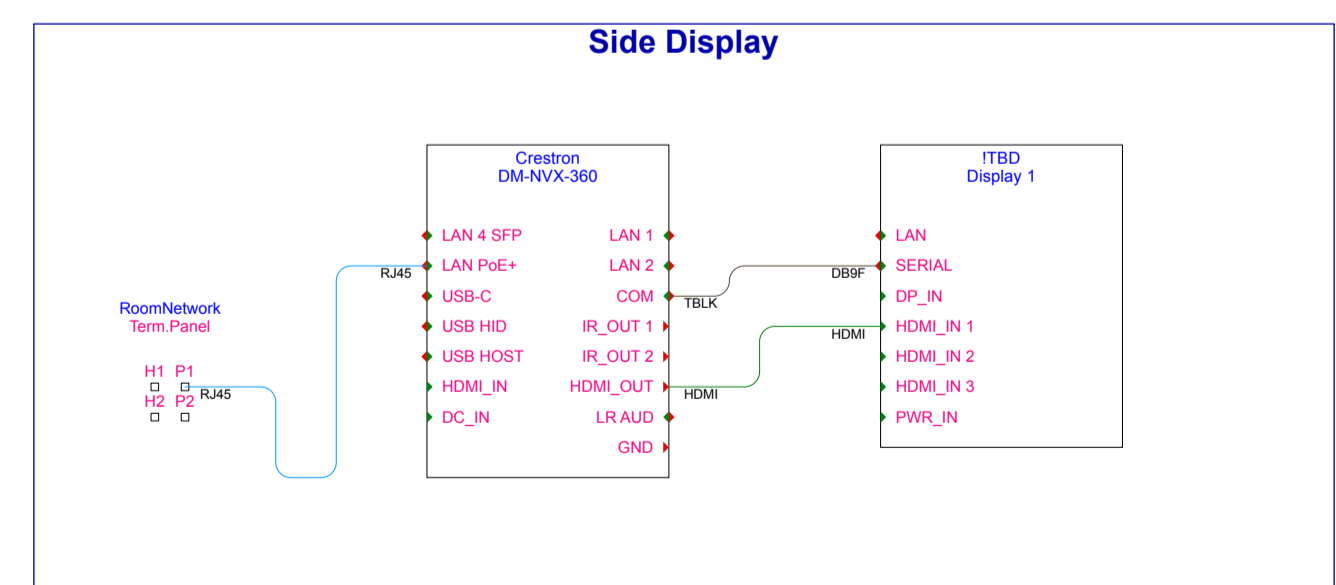
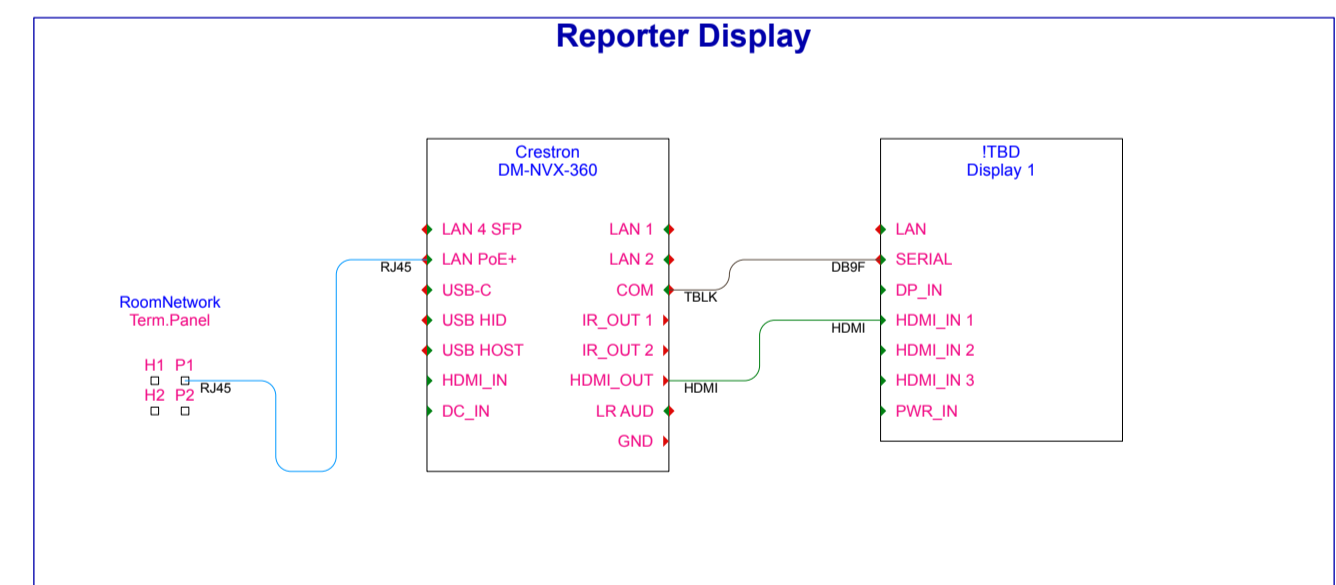
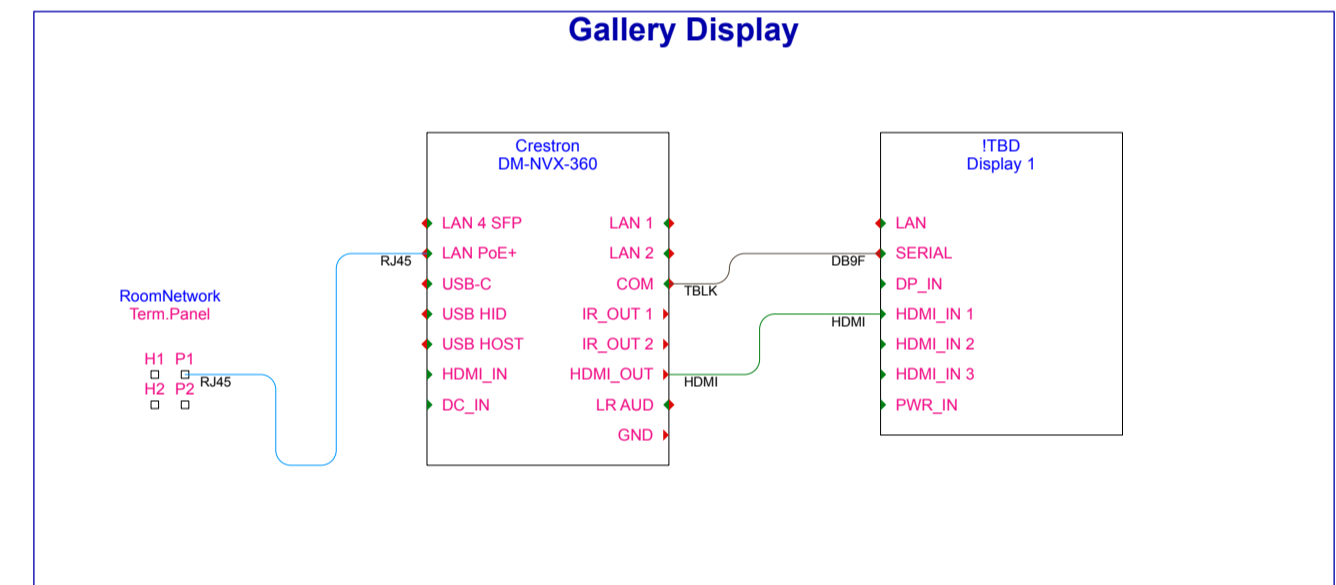
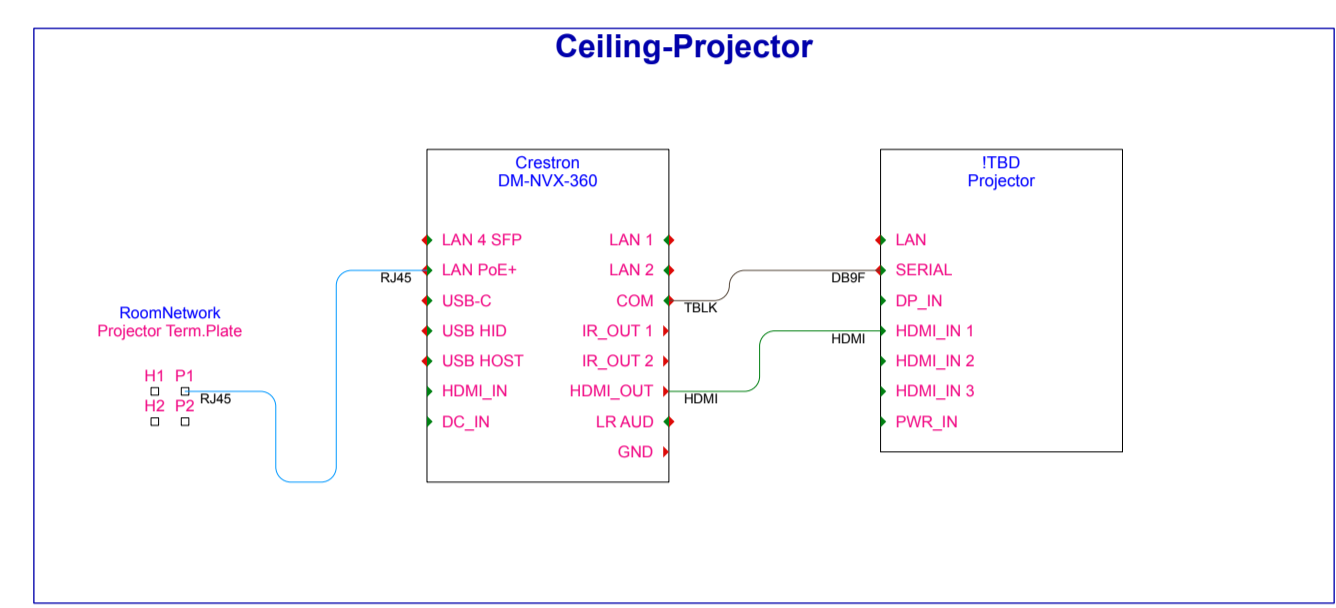
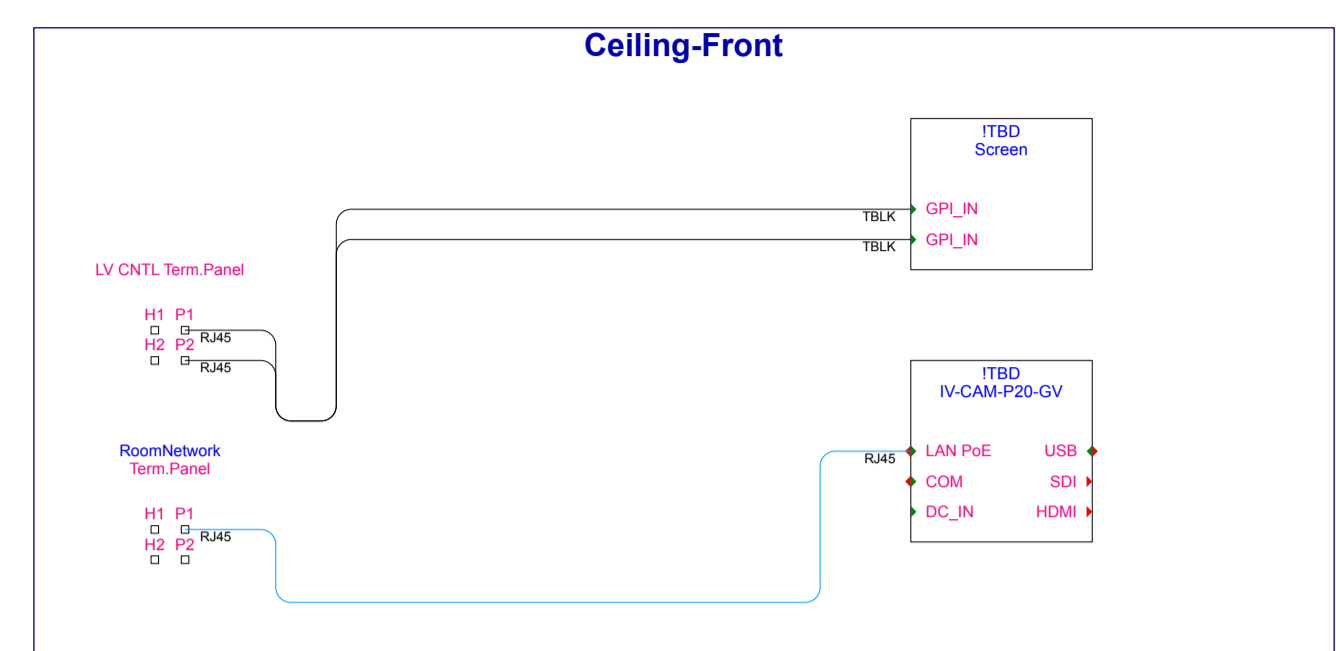
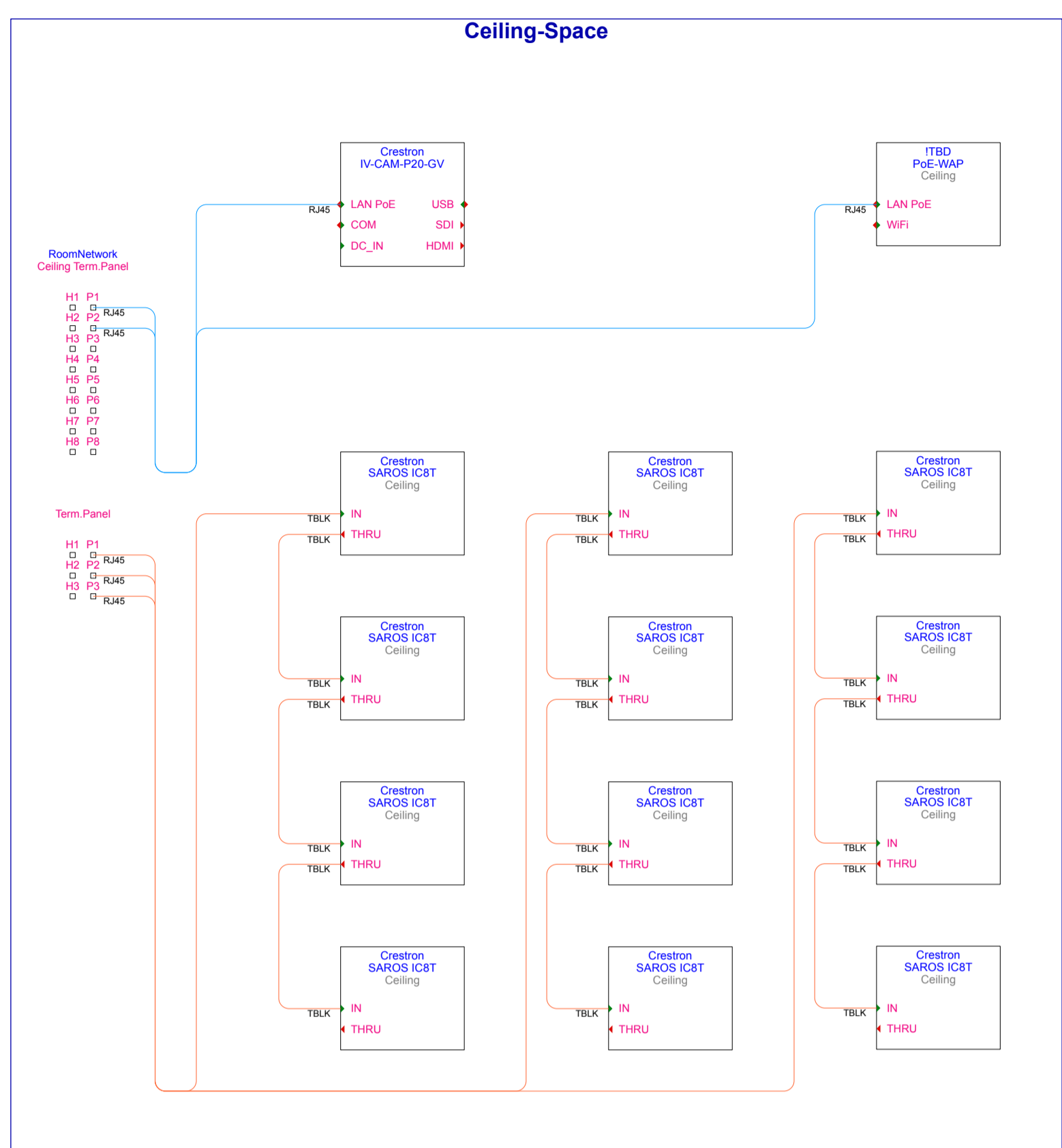
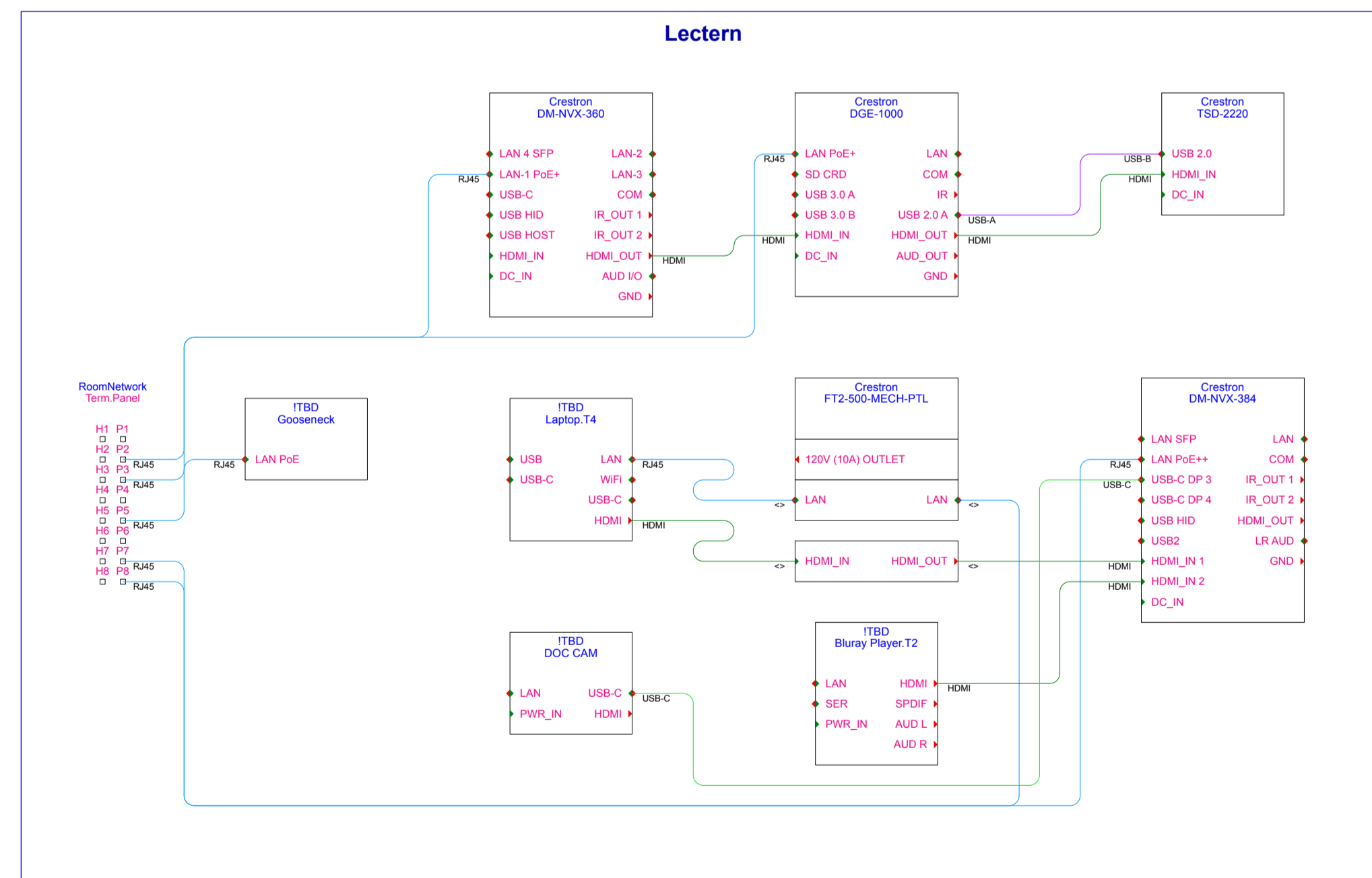
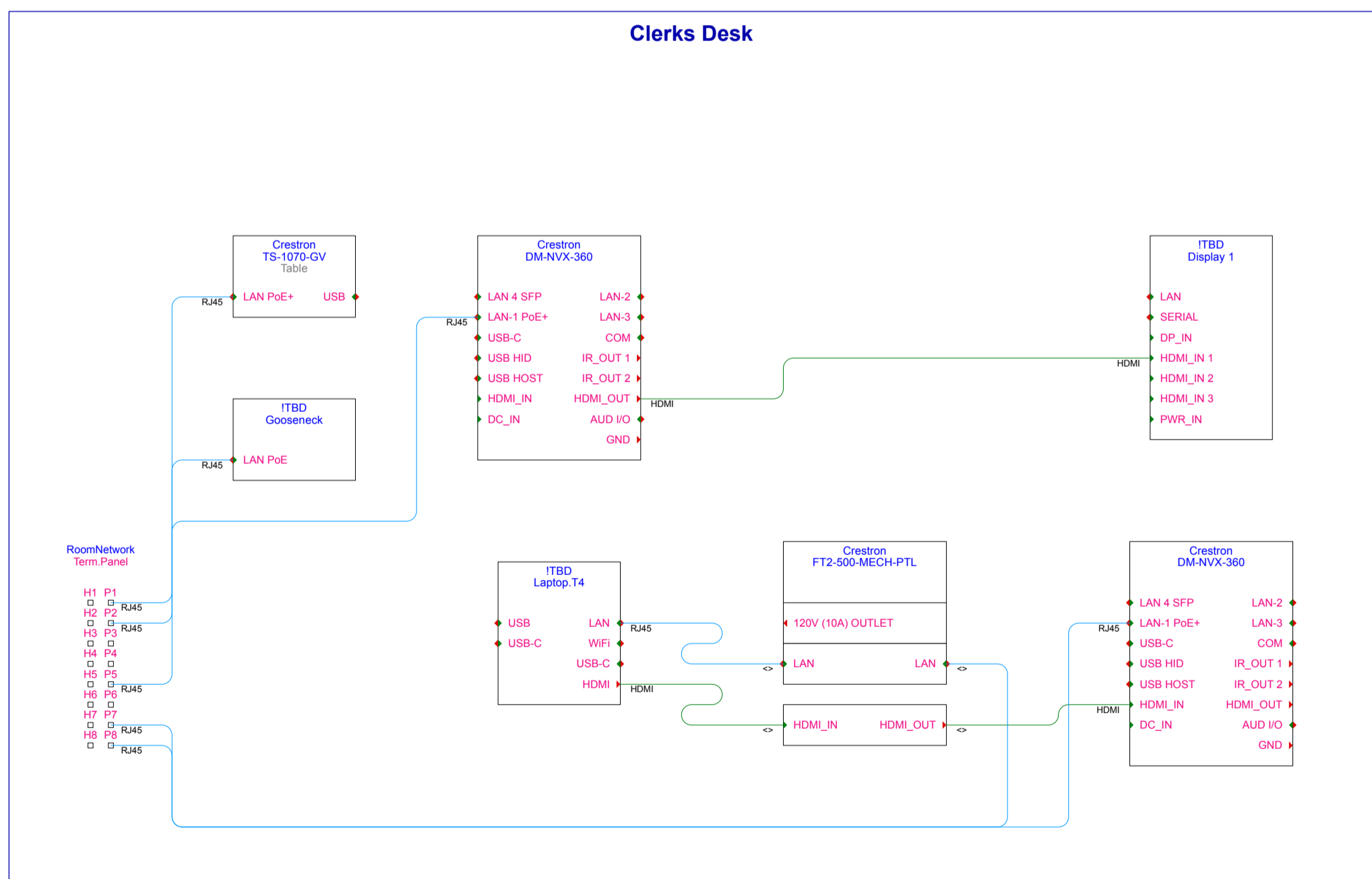
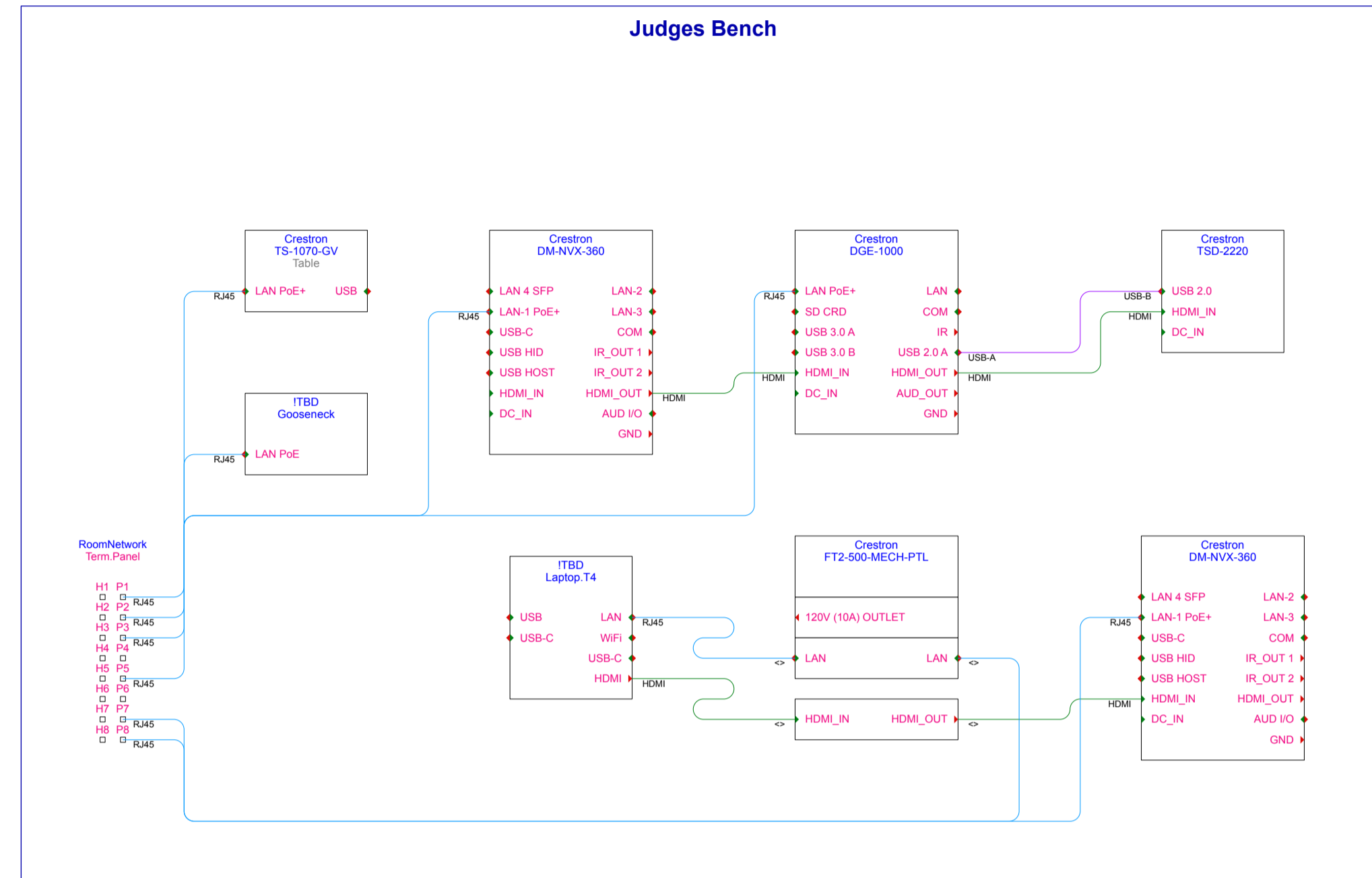
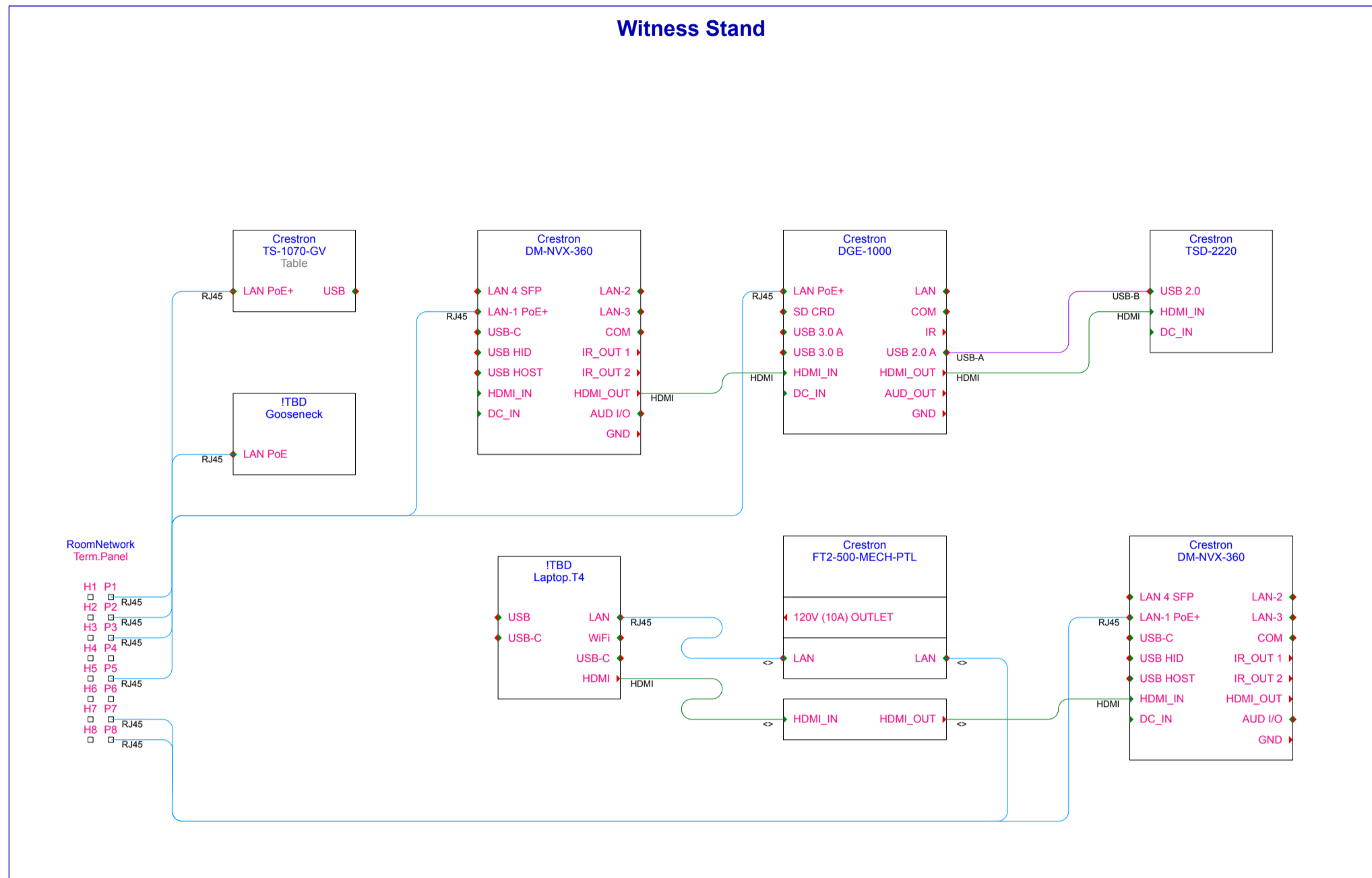


Signal Legend	
	GPI
	LS
	SER
	HDMI
	LAN PoE
	LAN PoE+
	USB 2.0

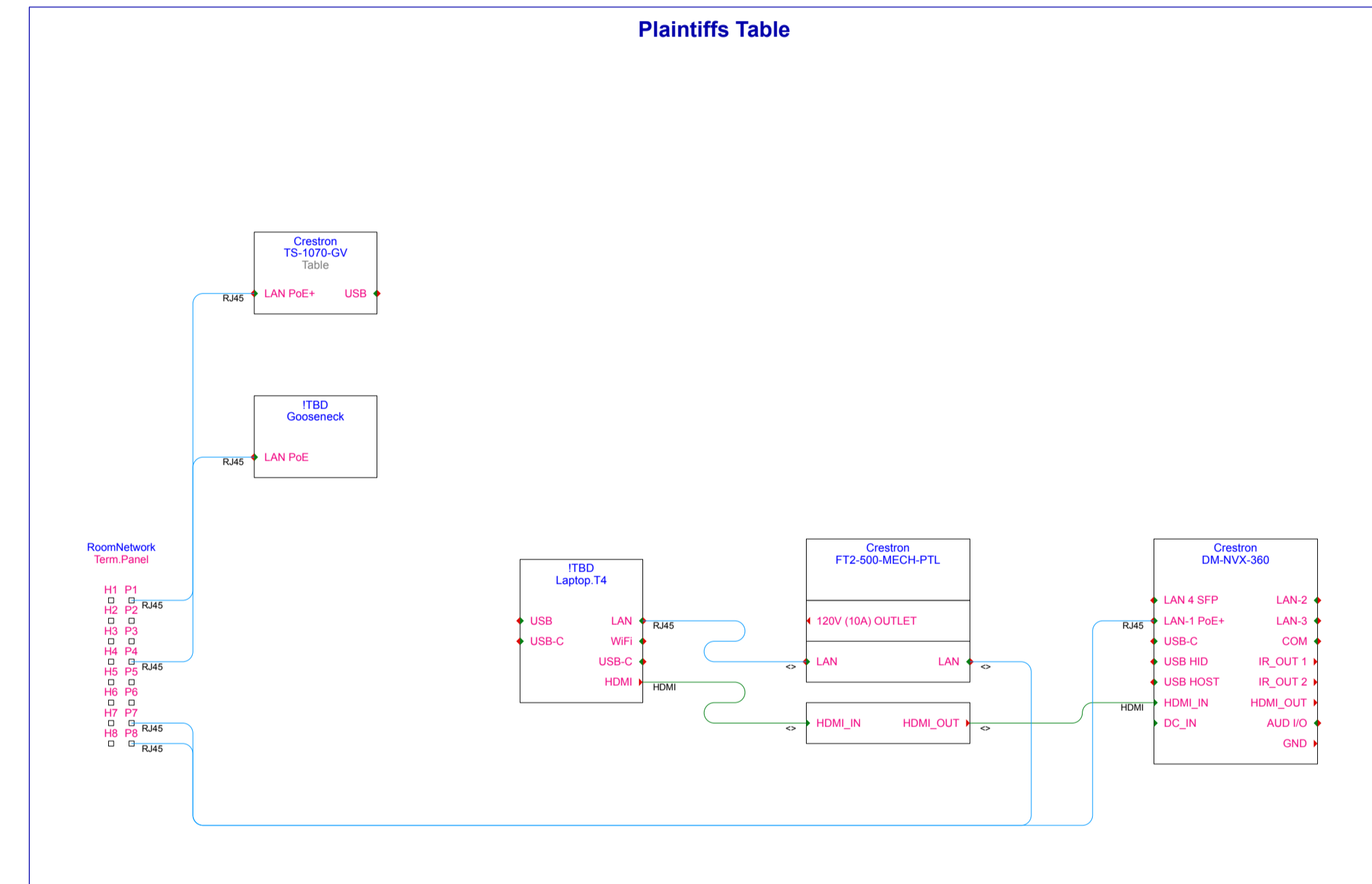
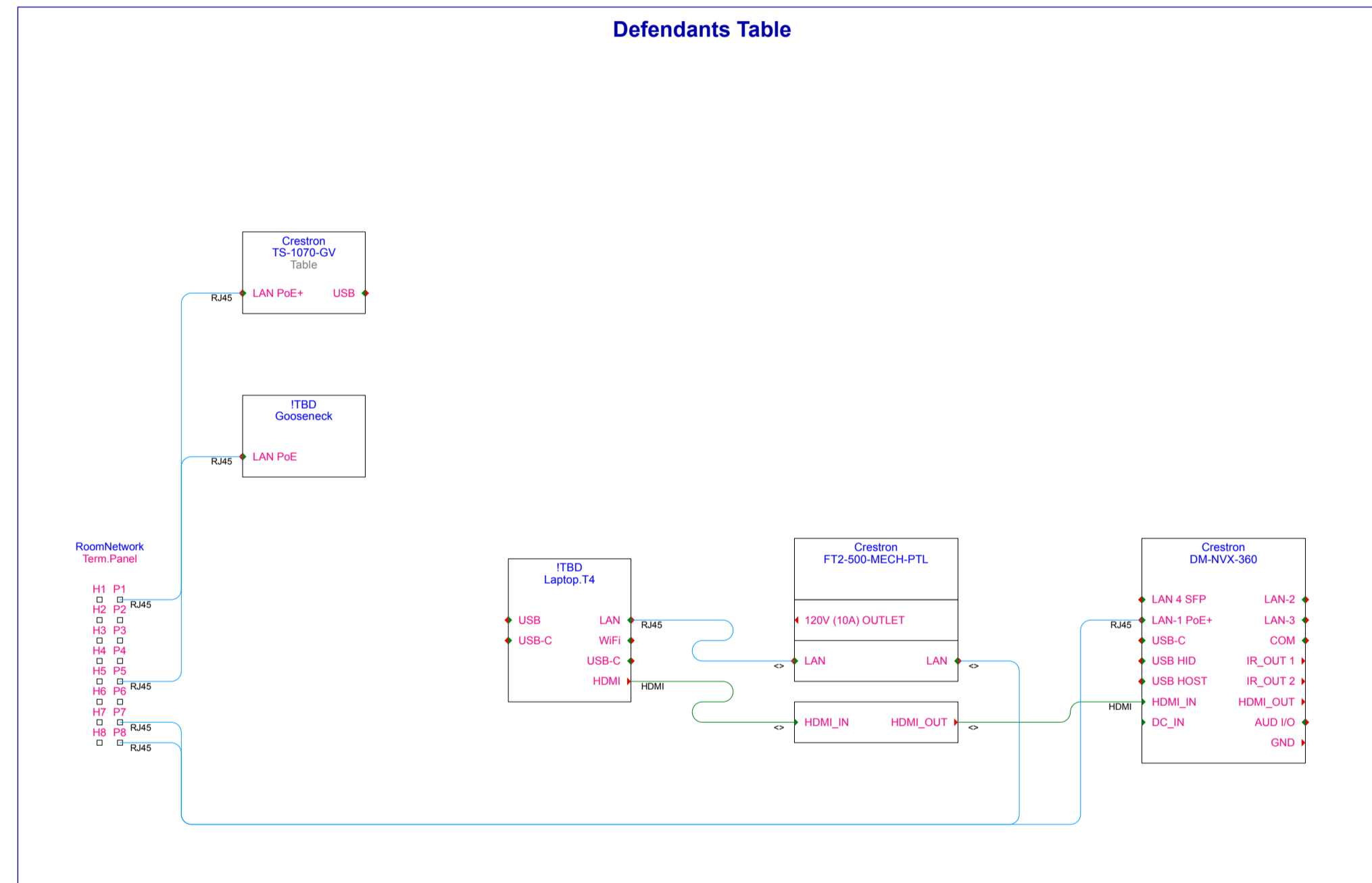


Signal Legend	
	USB-C DP
	HDMI
	LAN
	LAN PoE
	LAN PoE+
	LAN PoE++
	USB 2.0



Signal Legend

- HDMI
- LAN
- LAN PoE
- LAN PoE+



This guide drawing is the property of and contains intellectual property belonging to Crestron Electronics, Inc. This drawing and the concepts included in this drawing may be used by Crestron dealers, and partners in design, development, installation and commissioning of Crestron based systems. The system engineer/specifier/design professional/integrator/reseller is responsible for the accuracy of all project design details, and specifications, including system application and coordination with related systems and equipment. This system drawing is provided as a convenience and may require further detail and development to satisfy actual project use cases and requirements. Crestron electronics, inc. shall not be liable for any damages arising out of the use of any of its guide, example or application diagrams or drawings.

Signal Legend	
---	LS
---	CTL
---	3GV
---	HDMI
---	LAN
---	LAN PoE+
---	USB
---	USB 3.0
---	LINE
---	CARD

