

# TPMC-3SM & TPMC-3SMD

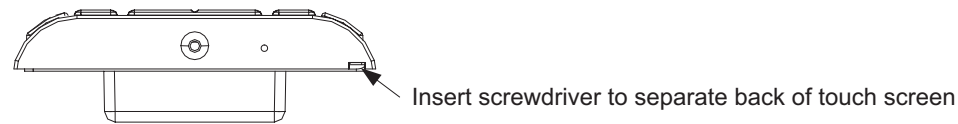
Isys® 2.8" Wall Mount & Designer Touch Screens

## 1 Install the Touch Screen

The Crestron® TPMC-3SM and TPMC-3SMD touch screens install into a standard electrical box. Both are supplied with screws for installation.

To prepare for mounting, insert a small slot head screwdriver into the hole at the bottom of the touch screen, shown in the illustration below and gently separate the back of the unit.

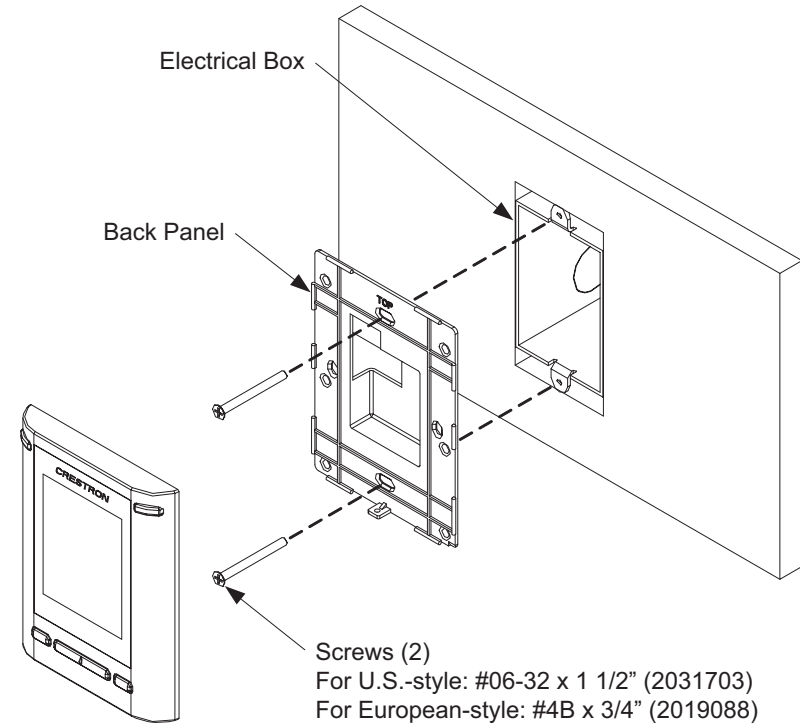
### Insertion Point for Separation of Back Panel



To mount the TPMC-3SM or TPMC-3SMD into an electrical box, use the following procedure:

1. Use the two included screws to attach the back panel to the electrical box, as shown in the following illustration.  
For U.S.-style installations, use the #06-32 x 1 1/2" screws (2031703).  
For European-style installations, use the #4B x 3/4" screws (2019088).

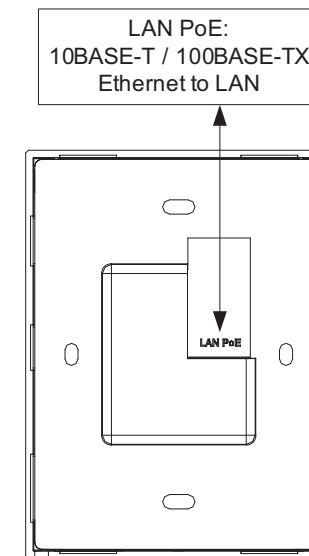
### Mount the TPMC-3SM or TPMC-3SMD into an Electrical Box (U.S.-Style Electrical Box Shown)



2. When making connections to the TPMC-3SM and TPMC-3SMD, use Crestron power supplies for Crestron equipment.

Apply power after all connections have been made.

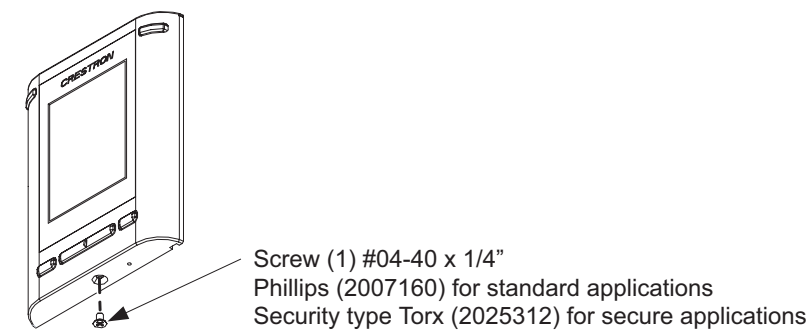
### Hardware Connections for the TPMC-3SM and TPMC-3SMD



**NOTE:** The included cable mount ferrite bead, FBLB-7 (2032427) should be placed on the LAN cable in the electrical box.

3. Carefully position the front of the touch screen over the back panel and gently snap it into place.
4. Insert one of the included #04-40 x 1/4" screws into the bottom of the unit to secure the touch screen, as shown in the illustration below.  
For standard applications, use the Phillips screw (2007160).  
For secure applications, use the security type Torx screw (2025312).

### Secure the TPMC-3SM and TPMC-3SMD



# TPMC-3SM & TPMC-3SMD

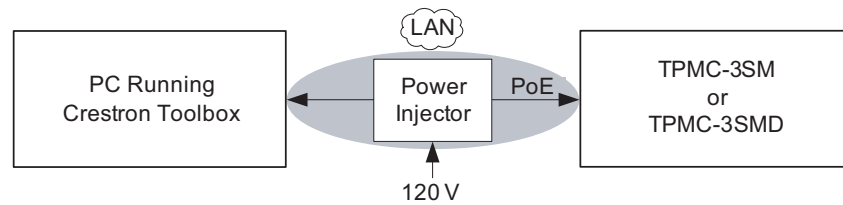
Isys® 2.8" Wall Mount & Designer Touch Screens

## 2 Establish Communication

Use Crestron Toolbox™ for communicating with the TPMC-3SM and TPMC-3SMD; refer to the Crestron Toolbox help file for details.

There is a single method of communication: TCP/IP communication.

### Ethernet Communication



The TPMC-3SM or TPMC-3SMD connects to PC via Ethernet:

1. Enter the IP address, IP mask and default router of the touch screen via Crestron Toolbox (**Functions | Ethernet Addressing**); otherwise enable DHCP.

**NOTE:** Use the Device Discovery Tool in Crestron Toolbox to detect all Ethernet devices on the network and their IP configuration. The tool is available in Toolbox version 1.1.5.143 or later.

2. Confirm Ethernet connection between touch screen and PC. If connecting through a hub or router, use CAT5 straight through cables with 8-pin RJ-45 connectors. Alternatively, use a CAT5 crossover cable to connect the two LAN ports directly without using a hub or router (via static IP and a power injector, if no other power is supplied).

**NOTE:** Some PCs may not require a crossover cable. Check with PC manufacturer.

3. Use the Address Book in Crestron Toolbox to create an entry for the touch screen with the touch screen's TCP/IP parameters.
4. Display the "System Info" window (click the **i** icon) and select the touch screen entry.

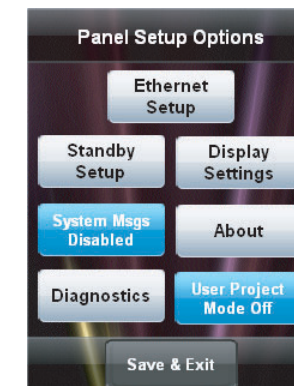
## 3 Configure the Touch Screen

**NOTE:** The only connection required to configure the touch screen is power. Refer to step 2 in section 1 "Installation" for details.

The setup screens are the starting point for configuring the TPMC-3SM and TPMC-3SMD. When power is applied for the first time, the screen shown to the right appears.



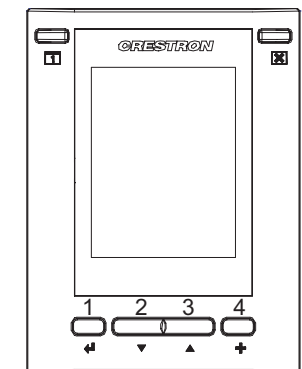
Touch the screen to display the TPMC-3SM or TPMC-3SMD "Panel Setup Options" screen, as shown in the illustration to the right. The setup screens enable basic configuration procedures prior to regular operation of the touch screen.



**NOTE:** During regular operation of the touch screen, there are two ways to activate the setup functions:

1. Place a button on the project main page and assign the reserved join number (17242) that activates setup.
2. Press hard keys 1, 2, 3 and 4, under the touch screen display, in sequence twice (i.e. press 1, 2, 3, 4, 1, 2, 3, 4) within a five second period.

**NOTE:** For details on configuring the TPMC-3SM and TPMC-3SMD, refer to the latest version of the TPMC-3SM & TPMC-3SMD Configuration Guide (Doc. 7269). It is available from the Crestron Web site ([www.crestron.com](http://www.crestron.com)).

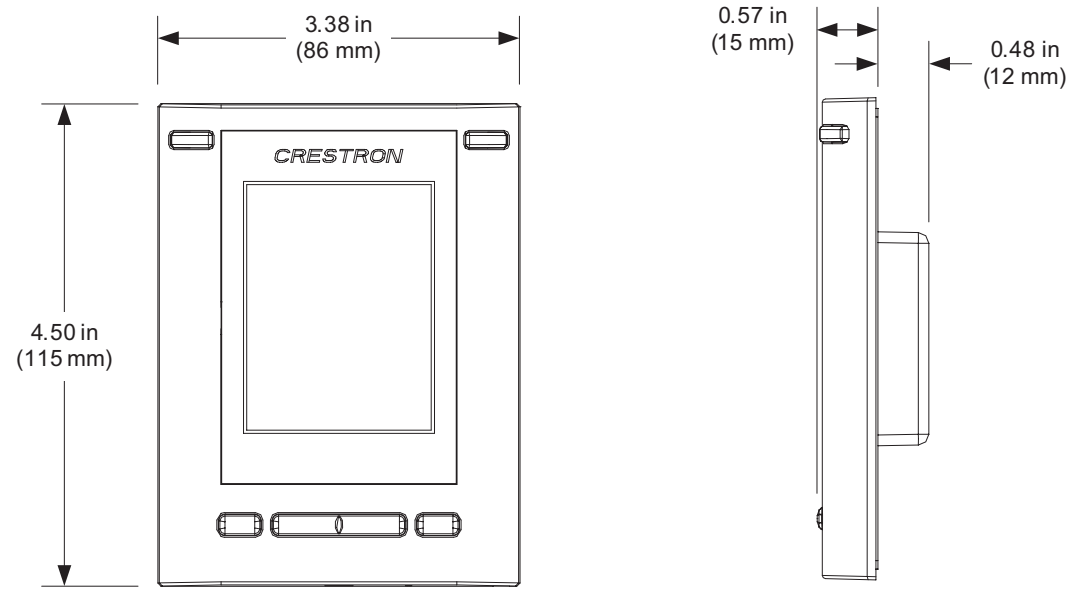


# TPMC-3SM & TPMC-3SMD

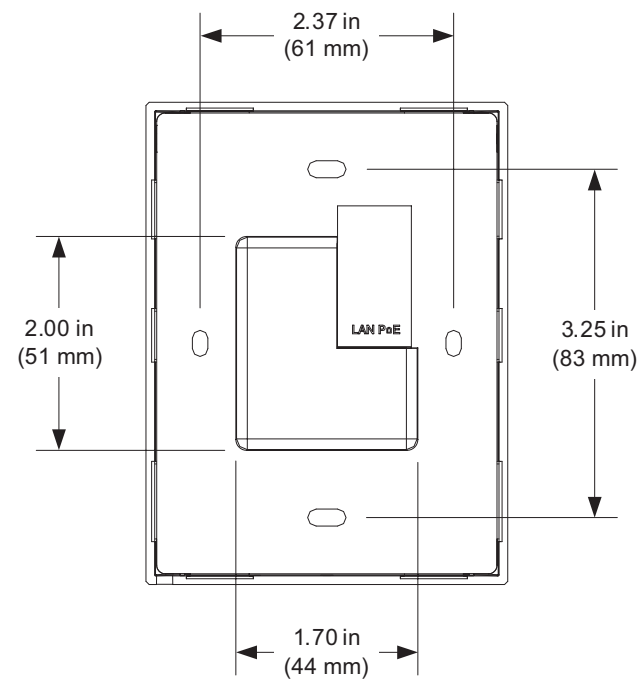
Isys® 2.8" Wall Mount & Designer Touch Screens

## 4 Dimensions

TPMC-3SM & TPMC-3SMD Overall Dimensions (Front and Side Views)

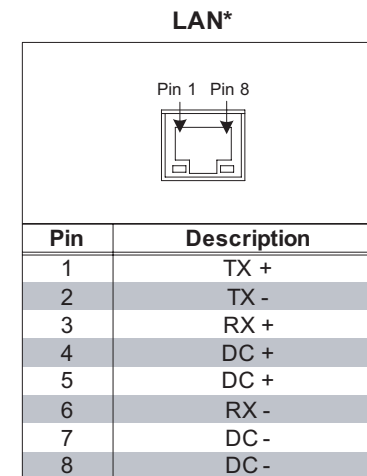


TPMC-3SM & TPMC-3SMD Overall Dimensions (Rear View)



## 5 Pinout Reference

The only connector on the TPMC-3SM and TPMC-3SMD is the LAN port.



\* To determine which is pin 1 on the cable, hold the cable so the end of the 8-pin modular plug is facing away from you, with the clip down and copper side up. Pin 1 is on the far left.

## 6 Recommended Cleaning

Keep the surface of the touch screen free of dirt, dust or other materials that could degrade optical properties. Long-term contact with abrasive materials can scratch the surface, which may detrimentally affect image quality.

For best cleaning results, use a clean, damp, non-abrasive cloth with any commercially available non-ammonia glass cleaner. Bezels may not provide a complete watertight seal. Therefore, apply cleaning solution to the cloth rather than the surface of the touch screen. Wipe touch screen clean and avoid getting moisture beneath the bezels.

# TPMC-3SM & TPMC-3SMD

Isys® 2.8" Wall Mount & Designer Touch Screens

## 7 Specifications

### Touch Screen Display

**Display Type:** TFT active matrix color LCD  
**Size:** 2.8 inch (72 mm) diagonal  
**Aspect Ratio:** 3:4 QVGA (portrait orientation)  
**Resolution:** 240 x 320 pixels  
**Brightness:** 350 nits (cd/m<sup>2</sup>) typical  
**Contrast:** 500:1 typical  
**Color Depth:** 16-bit, 64k colors  
**Viewing Angle:** ±75° horizontal, +75/-55° vertical  
**Illumination:** LED Backlit  
**Touch Screen:** Resistive membrane

### Buttons

**Hard Keys:** (2) programmable push buttons, translucent backlit, labeled with icons for "power" and "lights"  
**Feedback/Backlight:**  
**TPMC-3SM:** (1) red and (1) green LED per hard key, programmable for feedback and backlighting  
**TPMC-3SMD:** (1) white LED per hard key, programmable for feedback and backlighting  
**More** ⏏ (TPMC-3SM only): (1) programmable button, labeled with "more" icon  
**Select** + (TPMC-3SM only): (1) programmable button, labeled with "+" icon  
**Home** (TPMC-3SMD only): (1) programmable button, labeled with "home" icon  
**Mute** (TPMC-3SMD only): (1) programmable button, labeled with "audio mute" icon  
**V, A:** (1) programmable rocker button, labeled with "down" and "up" arrow icons  
**Reset (bottom):** (1) Recessed push button behind pinhole for hardware reset

### Memory

**RAM:** 128 MB  
**Flash:** 256 MB  
**Maximum Project Size:** 20 MB

### Graphic Engine

16-bit non-palette graphics, 65,536 colors, multi-mode objects; dynamic graphics and text; PNG translucency; transition effects

### Embedded Applications

Crestron MJPEG Viewer

### Communications

**Ethernet:** 10/100 Mbps, auto-switching, auto-negotiating, auto-discovery, full/half duplex, TCP/IP, UDP/IP, CIP, DHCP, IEEE 802.3af compliant

### Video

**Streaming Formats:** MJPEG

### Connectors

**LAN PoE:** (1) 8-wire RJ-45 with 2 LED indicators  
10Base-T/100Base-TX Ethernet port, 802.3af Power over Ethernet compliant

### Power Requirements

**Power over Ethernet:** 4 Watts @ 48 Volts DC, IEEE 802.3af Class 2 PoE Powered Device

### Minimum Crestron Control System Update File<sup>1,2</sup>

Version 3.155.1240 or later

### Environmental

**Temperature:** 32° to 104°F (0° to 40°C)  
**Humidity:** 10% to 90% RH (non-condensing)  
**Heat Dissipation:** 14 BTU/Hr

### Enclosure

**Construction:** Plastic  
**Mounting:** Requires a 1-Gang electrical box or plaster ring, 1-Gang UK (BS 4662) electrical box, or 1-Gang European (DIN 49073) electrical box; choice of standard or security screw provided

### Dimensions

**Height:** 4.50 in (115 mm)  
**Width:** 3.38 in (86 mm)  
**Depth:** 1.05 in (27 mm)

### Weight

4.5 oz (126 g)

### NOTES

1. The latest software versions can be obtained from the Crestron Web site. Crestron software and any files on the Web site are for authorized Crestron dealers and Crestron Authorized Independent Programmers (CAIP) only. New users may be required to register to obtain access to certain areas of the site (including the FTP site).
2. Crestron control systems include the AV2 and PRO2. Consult the latest Crestron Product Catalog for a complete list of Crestron control systems.

Crestron, the Crestron logo, Crestron Toolbox and Isys are trademarks or registered trademarks of Crestron Electronics, Inc. in the United States and other countries. Other trademarks and trade names may be used in this document to refer to either the entities claiming the marks and names or their products. Crestron disclaims proprietary interest in the marks and names of others. ©2011 Crestron Electronics, Inc.