

1 Mounting

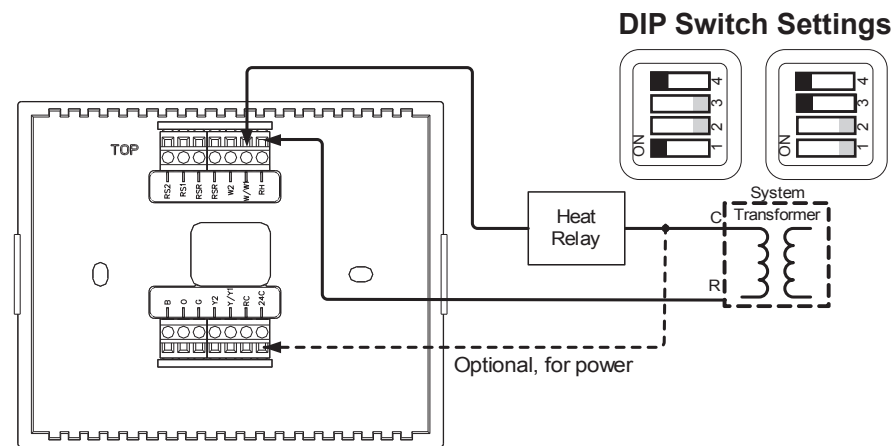
Mount the thermostat directly to drywall or to a single-gang box in accordance with accepted building codes and practices. If using the single-gang box, be sure to fill it with thermal insulation material.

For additional details and installation options, refer to the latest version of the CHV-TSTATEX Operations & Installation Guide (Doc. 6989). It is available from the Crestron® Web site (www.crestron.com/manuals).

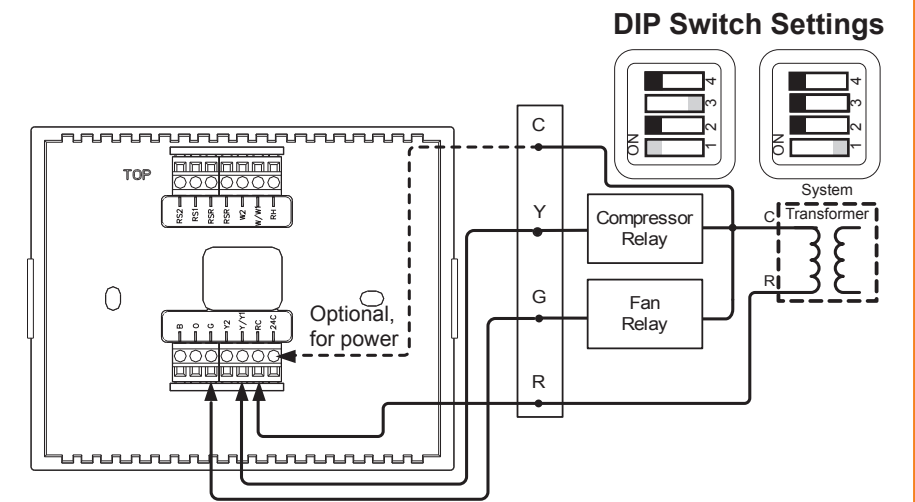
2 Connections

Connect the thermostat using the four most typical wiring configurations shown below as a guide. Refer to "DIP Switch Settings" on the left to configure each application. For more information, refer to the latest version of the CHV-TSTATEX Operations & Installation Guide (Doc. 6989).

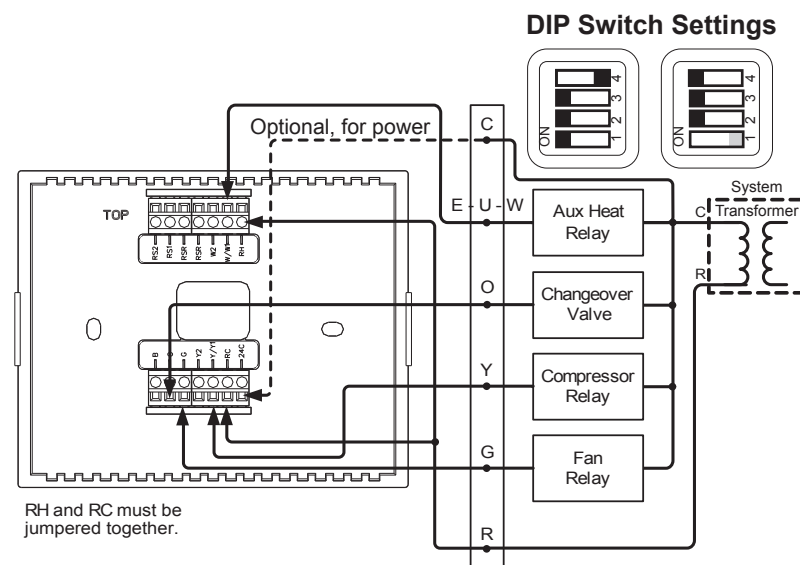
Single Stage Heat-Only Application



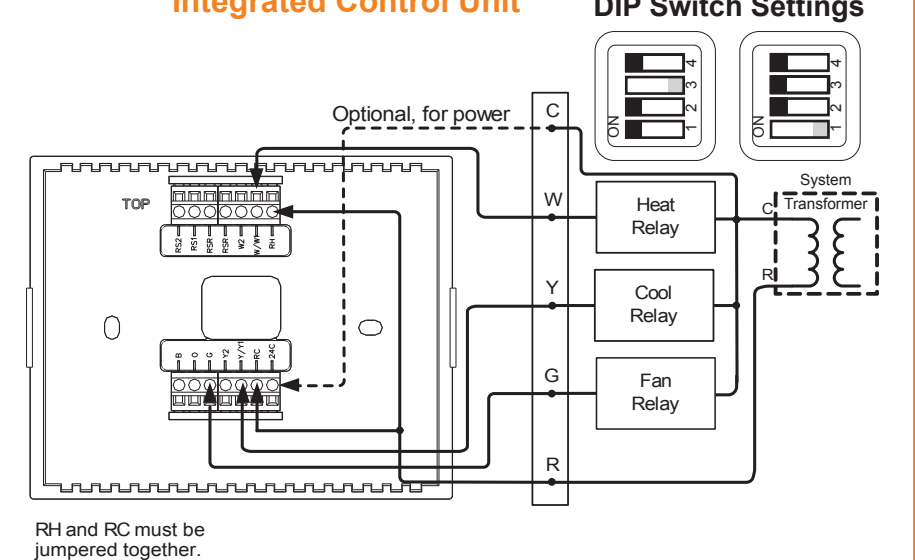
Single Stage Cool-Only Application



Heat Pump Application With Integrated Controller

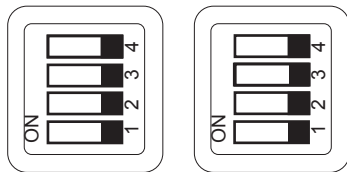


Heat - Cool Application With Integrated Control Unit



DIP Switch Settings

Power Steal Switch



STEAL (LEFT) 24VAC (RIGHT)

LEFT SWITCH

#	DESCRIPTION	ON	OFF
4	System Type	Heat/Cool	Heat Pump
3	Heat Pump Mode	Aux Heat	Dual Fuel
2	Cool/HP Stages	1	2
1	Heat Stages	1	2

RIGHT SWITCH

#	DESCRIPTION	ON	OFF
4	Fan In Heat	Disabled	Enabled
3	Change Over Outputs	Disabled	Enabled
2	Cool SP Range	Normal	Extended
1	N/A	N/A	N/A

3 Basic Thermostat Setup

Install two AA batteries in the battery compartment.¹

CAUTION: Replace all batteries in the CHV-TSTATEX at the same time. Mixing old and new batteries in the CHV-TSTATEX may result in battery leakage and equipment damage.

To enter *Setup* mode², press and hold **FAN**, then simultaneously press and hold ▲ and ▼ for about five seconds. The display shows the Temperature Scale function (FC).



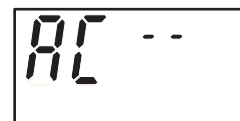
Use ▲ or ▼ to choose the temperature units: F (Fahrenheit), C1 (Celcius, whole degree set points), or C2 (Celcius, half degree set points).

1. Expected battery life is 1 year using quality alkaline batteries.
2. Refer to the latest version of the CHV-TSTATEX Operations & Installation Guide (Doc. 6989) for detailed information on setup and operating modes.

4 Basic infiNET EX® Setup



In *Setup* mode, press **MODE** until the infiNET EX ID (RF ID) function is displayed (id). Use ▲ and ▼ to choose the infiNET EX ID. Press **MODE** until the Start infiNET EX Acquire function is displayed (AC).



Put an infiNET EX gateway (e.g., CEN-RFGW-EX or MC3) into *Acquire* mode, from the unit itself or from Crestron Toolbox™, as described in the latest revision of the CEN-RFGW-EX Operations & Installation Guide (Doc. 6706) or MC3 Operations &

Installation Guide (Doc. 7095).

Press ▲ or ▼ to start the acquire process: display shows flashing -- (in progress). When finished, display shows **00** (finished, found gateway) or **E#** (finished, could not find gateway), where # represents an error code.

Once all devices have been acquired, take the CEN-RFGW-EX or MC3 out of *Acquire* mode. Press **FAN** on the thermostat to exit *Setup* mode.

5 System Modes and Fan Operation

Press the **MODE** button to cycle the unit through available modes: *Off*, *Heat*, *Emergency Heat* (for heat pump and dual-fuel systems), *Cool*, and *Auto*.¹

- Mode changes take place upon release of the **MODE** button.
- The selected mode becomes operational three seconds after the mode has been entered.

Press the **FAN** button to toggle between *Fan Auto* and *Fan Always On* modes.

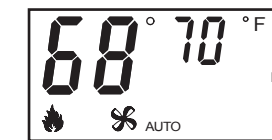
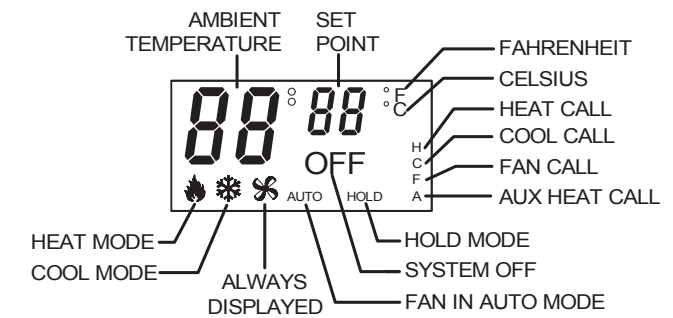
- The fan icon is always displayed.
- When set to *Fan Auto*, the fan operates only when there is a cool or heat call.^{1,2}
- In system *Off* mode, the fan still runs if set to *Fan Always On* mode.

Press **MODE** and **FAN** simultaneously to enter *Hold* mode. *Hold* mode ignores scheduled set point values from the control system.

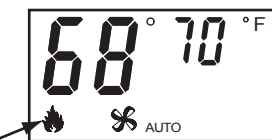
Use the ▲ and ▼ buttons to choose the desired temperature set point.

1. Refer to the latest version of the CHV-TSTATEX Operations & Installation Guide (Doc. 6989) for detailed information on setup and operating modes.
2. Fan only runs during heat calls if the thermostat has been configured to do so.

Thermostat Display Key



Typical Heat Mode Display



Typical Emergency Heat Mode Display



Typical Cool Mode Display



Typical Auto Heat/Cool Mode Display



Typical Off Mode Display

The specific patents that cover Crestron products are listed at www.crestronpatents.com.

Crestron, the Crestron logo Crestron Toolbox and infiNET EX are either trademarks or registered trademarks of Crestron Electronics, Inc. in the United States and/or other countries. Other trademarks, registered trademarks, and trade names may be used in this document to refer to either the entities claiming the marks and names or their products. Crestron disclaims proprietary interest in the marks and names of others.
©2012 Crestron Electronics, Inc.