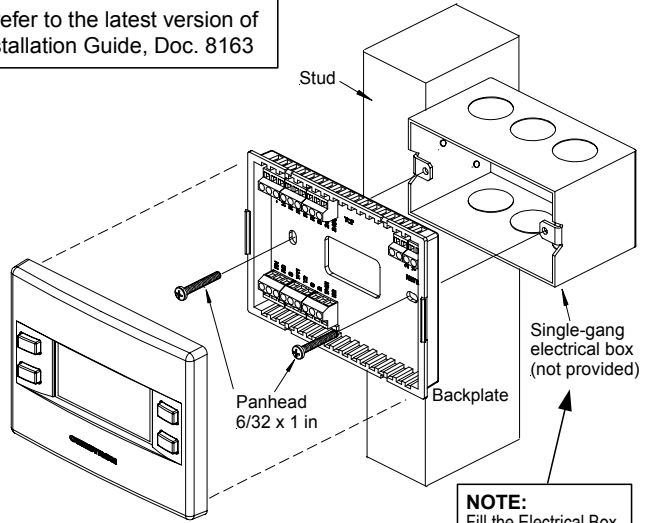
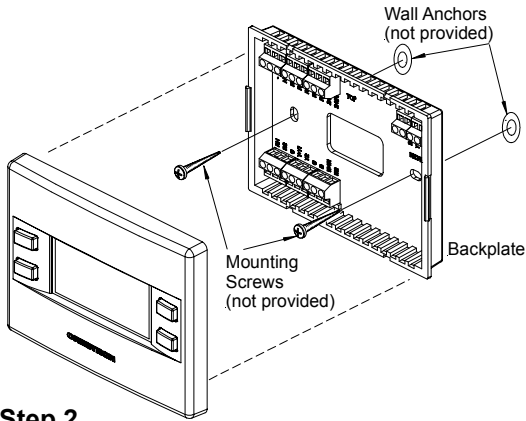


Crestron Quick Start Thermostat CHV-TSTAT and CHV-THSTAT Series

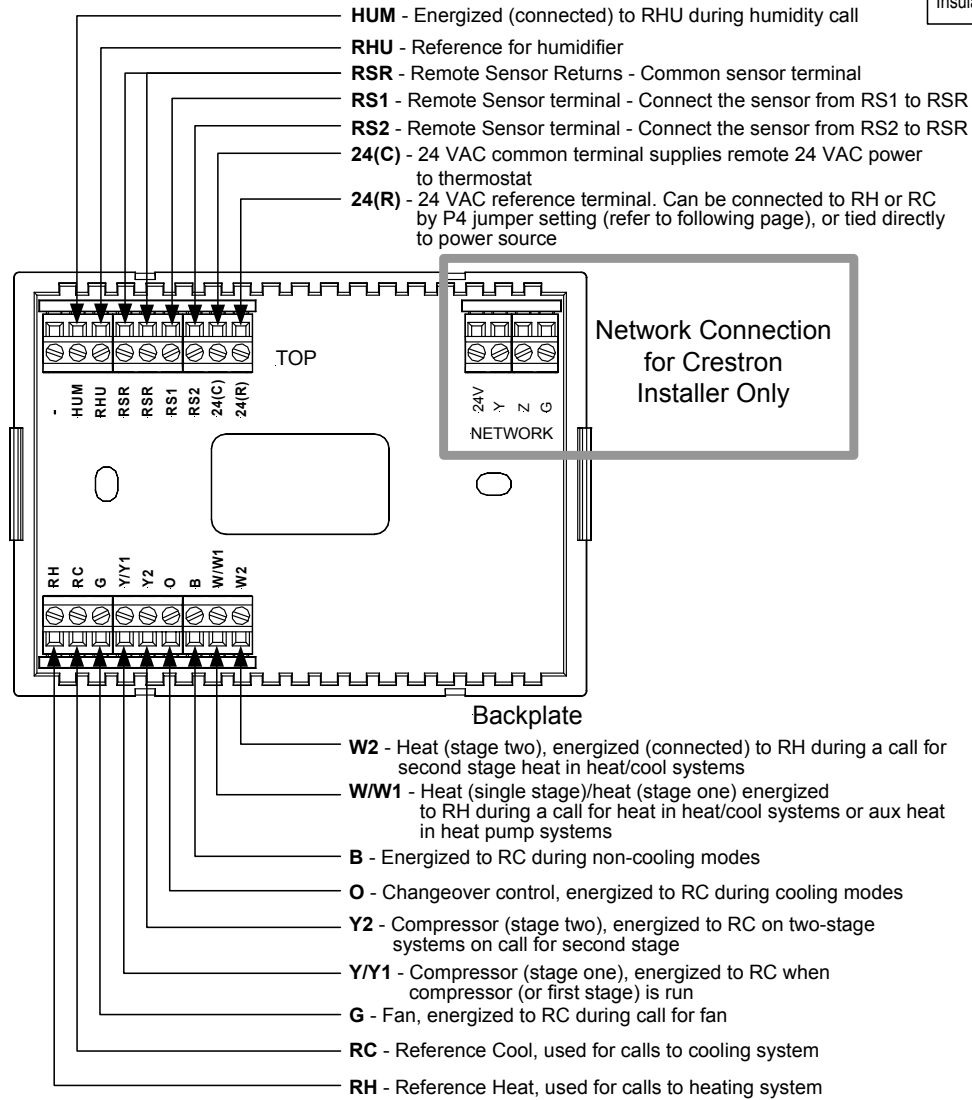
Step 1 Thermostat Mounting

For Additional details, refer to the latest version of the Operations and Installation Guide, Doc. 8163



NOTE:
Fill the Electrical Box with Thermal Insulation Material

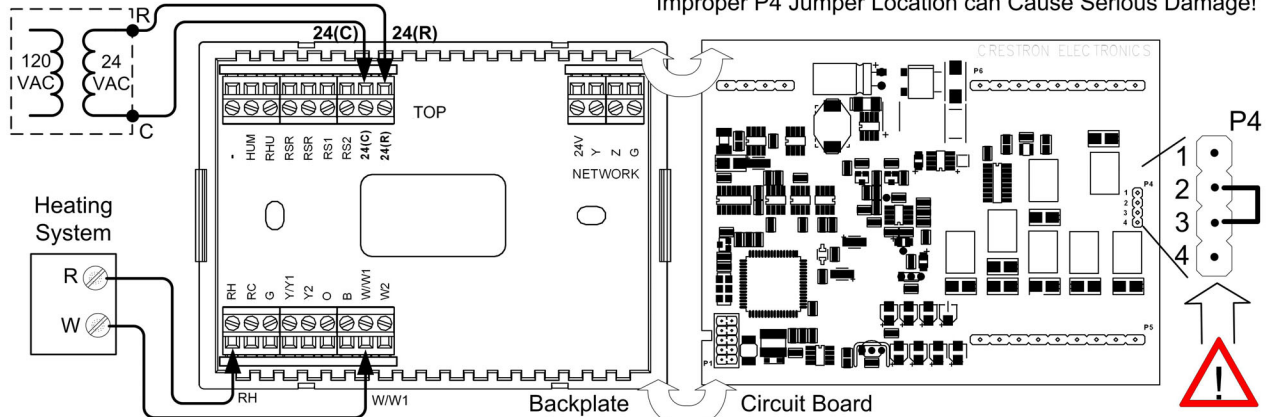
Step 2 Thermostat System Connections



Step 3

Thermostat Connection Examples

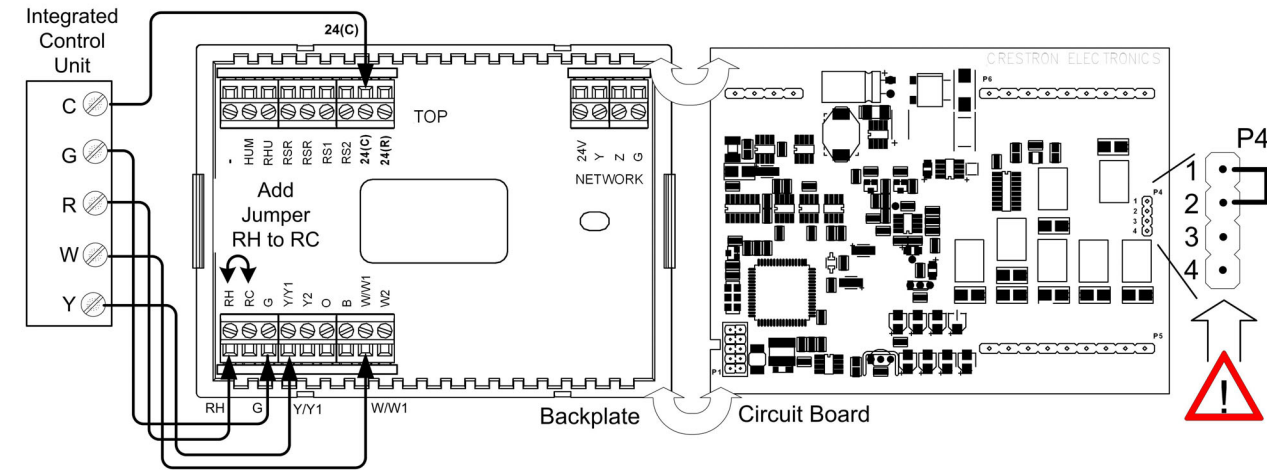
Method 1 Separately Powered by an Independent Transformer
(2-wire heat example)



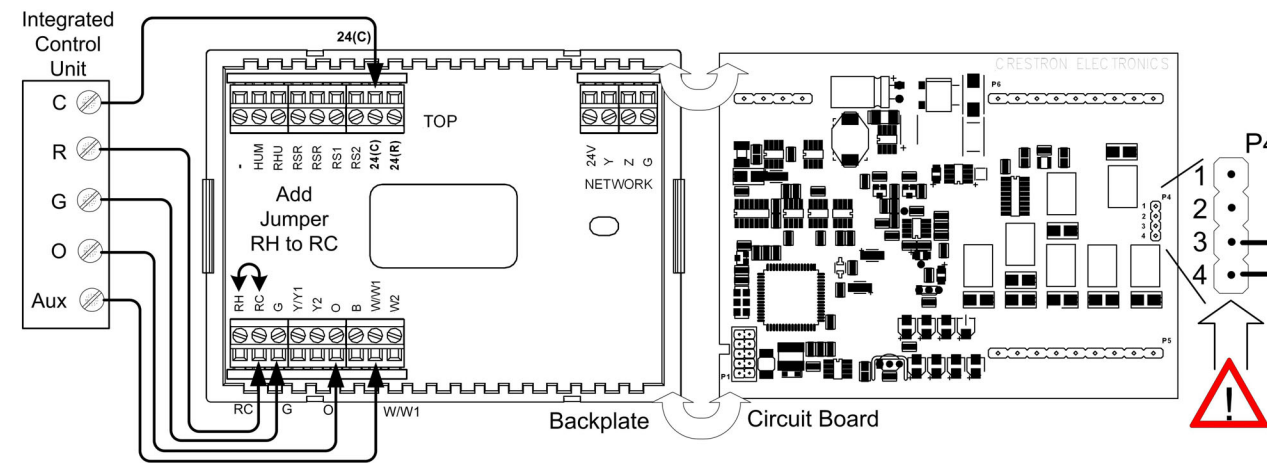
CAUTION

The location of the P4 Jumper is Critical to Proper Operation!
Improper P4 Jumper Location can Cause Serious Damage!

Method 2 Powered by the Heating System (Five-Wire Heating/Cooling Example)



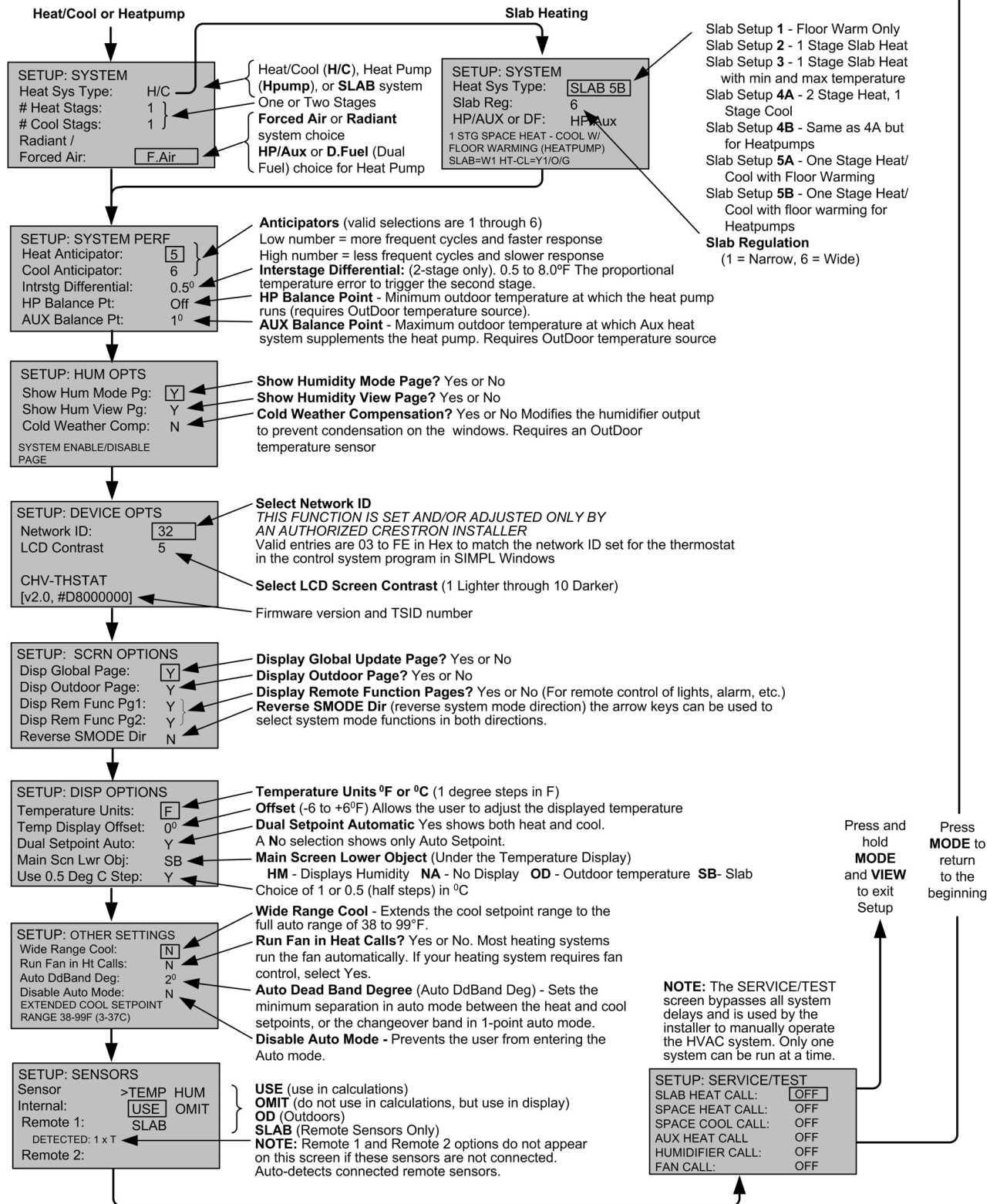
Method 3 Powered by the Cooling System (Single-Stage Heat Pump Example)



NOTE: Ensure that the power circuits are shut off at the source before connecting the thermostat.
Provide disconnect means and overload protection as required for the power supply.

**Step 4
Thermostat Setup**

Press and hold **MODE** and **VIEW** to enter Setup
 Press **VIEW** to select a different parameter
 Press the **Arrow** keys to view the next value
 Press **MODE** to advance to the next screen

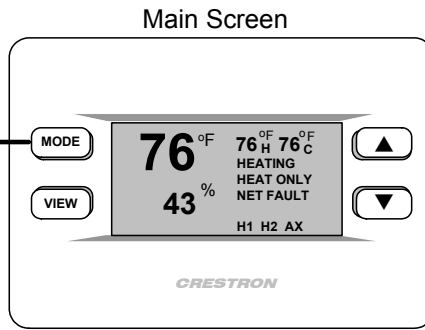


Step 5
Thermostat Operation
MODE and VIEW

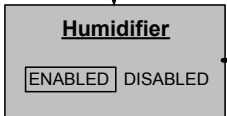
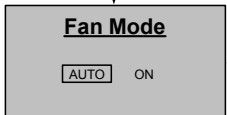
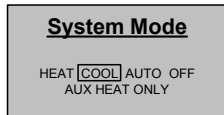
The displayed Mode screens depend on the type of system.

Use the **up** and **down** arrow buttons to make a selection.

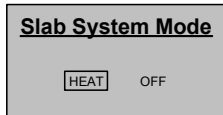
Press **MODE** to step to the next screen.



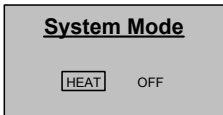
Heat/Cool, Heatpump & SLAB 4 Systems



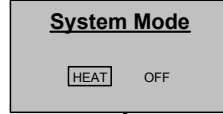
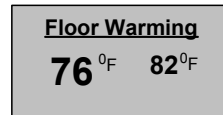
SLAB 1 System



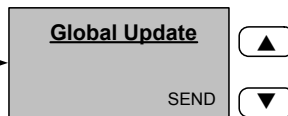
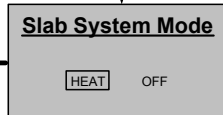
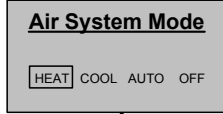
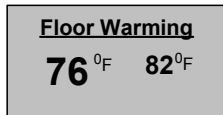
SLAB 2 System



SLAB 3 System



SLAB 5 System

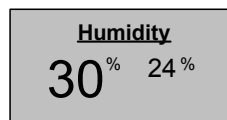


Press the **down** arrow to activate

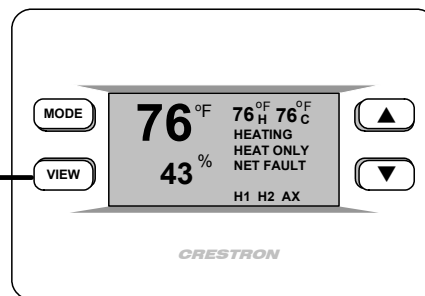
Press **MODE** to return to Main Screen

Press **VIEW** to set the humidity setpoint, see the outdoor temperature, and see text messages from the system

Use the **up** and **down** arrow buttons to adjust the Humidity Set Point level



View the outdoor temperature (if an outdoor sensor has been installed) and outdoor humidity (if available)



Press **VIEW** to return to Main Screen

View text messages sent from the control system when part of a Cresnet system

