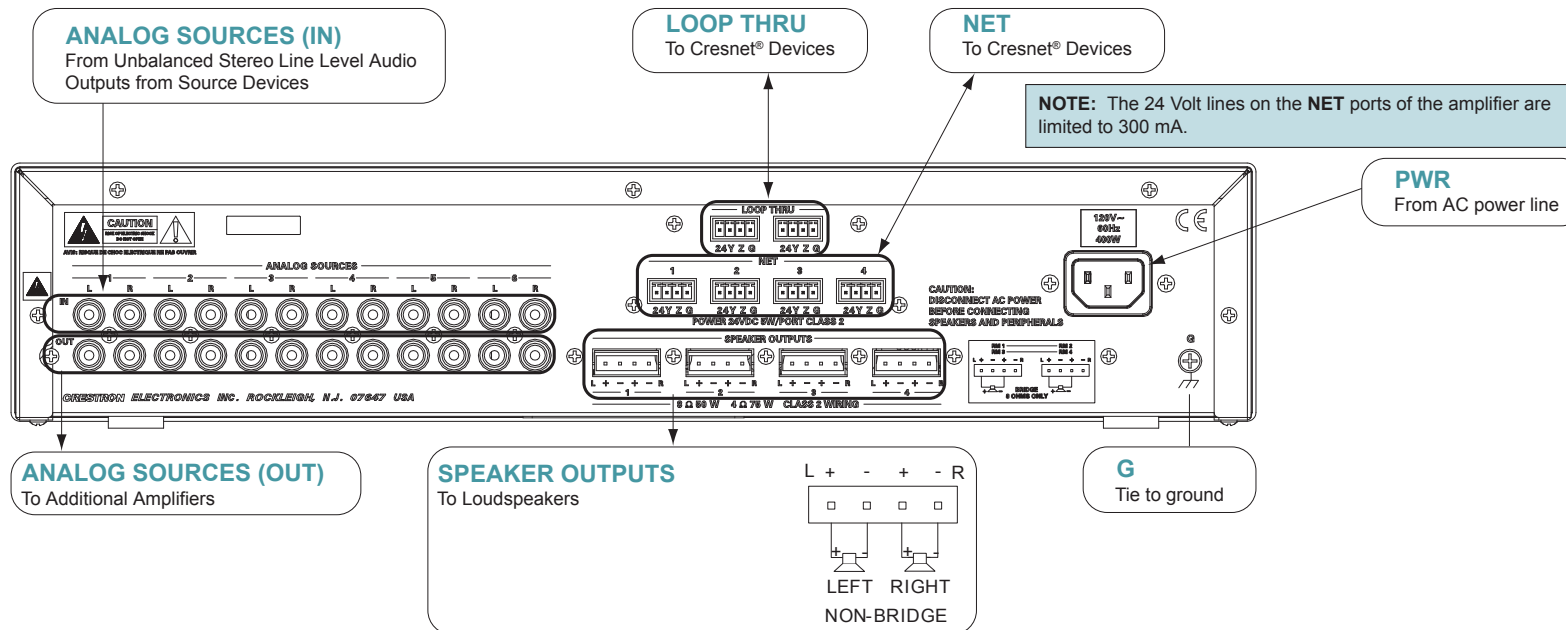


# C2N(I)-AMP-4X100

## 4 Room Audio Processor Amplifier

### 1 Hardware Hookup

Make the necessary connections as called out in the diagram below. Connect power last.



### 2 Attach the Labels

Use the included labels and inserts to prepare your C2N(I)-AMP-4X100:

1. Locate the **SOURCE** and **ROOM** label inserts included with your unit (**SOURCE** insert has space for six labels, **ROOM** insert has room for four labels).
2. Apply the peel-and-stick labels in the appropriate positions on the inserts, being careful to match label positions to what is configured in the programming software. For neatest appearance, when applying a label, cover the white guidelines on the insert. First and last labels will cover one line each; labels in between will cover lines on their left and right sides.

# C2N(I)-AMP-4X100

## 4 Room Audio Processor Amplifier

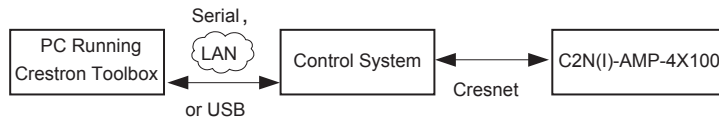
### 3 Establish Communication

Use Crestron Toolbox™ for communicating with the C2N(I)-AMP-4X100; refer to the Crestron Toolbox help file for details.

There is a single method of communication: Indirect communication.

**NOTE:** Required for setting the Net ID and loading firmware.

#### Indirect Communication



The **NET** port on the C2N(I)-AMP-4X100 connects to the control system via Cresnet:

1. Establish communication between the PC and the control system as described in the latest version of the 2-Series Control Systems Reference Guide (Doc. 6256) which is available from the Crestron® Web site ([www.crestron.com/manuals](http://www.crestron.com/manuals)).
2. Use the Address Book in Crestron Toolbox to create an entry for the C2N(I)-AMP-4X100 using the expected communication protocol (indirect). Select the Cresnet ID of the C2N(I)-AMP-4X100 as listed in section 4 below and the address book entry of the control system that is connected to the C2N(I)-AMP-4X100.
3. Display the C2N(I)-AMP-4X100's "System Info" window (click the **i** icon); communications are confirmed when the device information is displayed.

### 4 Net ID

The Net ID of the C2N(I)-AMP-4X100 has been factory set to **33**. The Net IDs of multiple C2N(I)-AMP-4X100 devices in the same system must be unique. The Net ID may also be set from a personal computer (PC) via Crestron Toolbox (refer to "Establish Communication" in section 3).

### 5 Operation

#### Turn the Amplifier On or Off

To turn the amplifier on, move the front panel switch to the **ON** position. To turn the amplifier off, move the front panel switch to the **OFF** position.

#### Select a Source

To select a source for distribution, press the desired **SOURCE** button. If a room is connected to the selected source, its LED will light.

**NOTE:** If a room is in the *Volume Control* mode, pressing a **SOURCE** button will exit the room's *Volume Control* mode.

#### Select a Room

Once a source is selected, press any **ROOM** button that is to receive the selected source. The room will be connected to the selected source and its LED will light.

To remove a room from the selected source, press the **ROOM** button of a connected room. The LED will turn off.

**NOTE:** If a room is in the *Volume Control* mode, pressing a **ROOM** button will exit the *Volume Control* mode.

**NOTE:** If the outputs of the C2N(I)-AMP-4X100 are bridged, the **ROOM 1** button will act in unison with the **ROOM 2** button and the **ROOM 3** button will act in unison with the **ROOM 4** button. Similarly, the **ROOM 1** LED will act in unison with the **ROOM 2** LED and the **ROOM 3** LED will act in unison with the **ROOM 4** LED.

#### Volume Control Mode

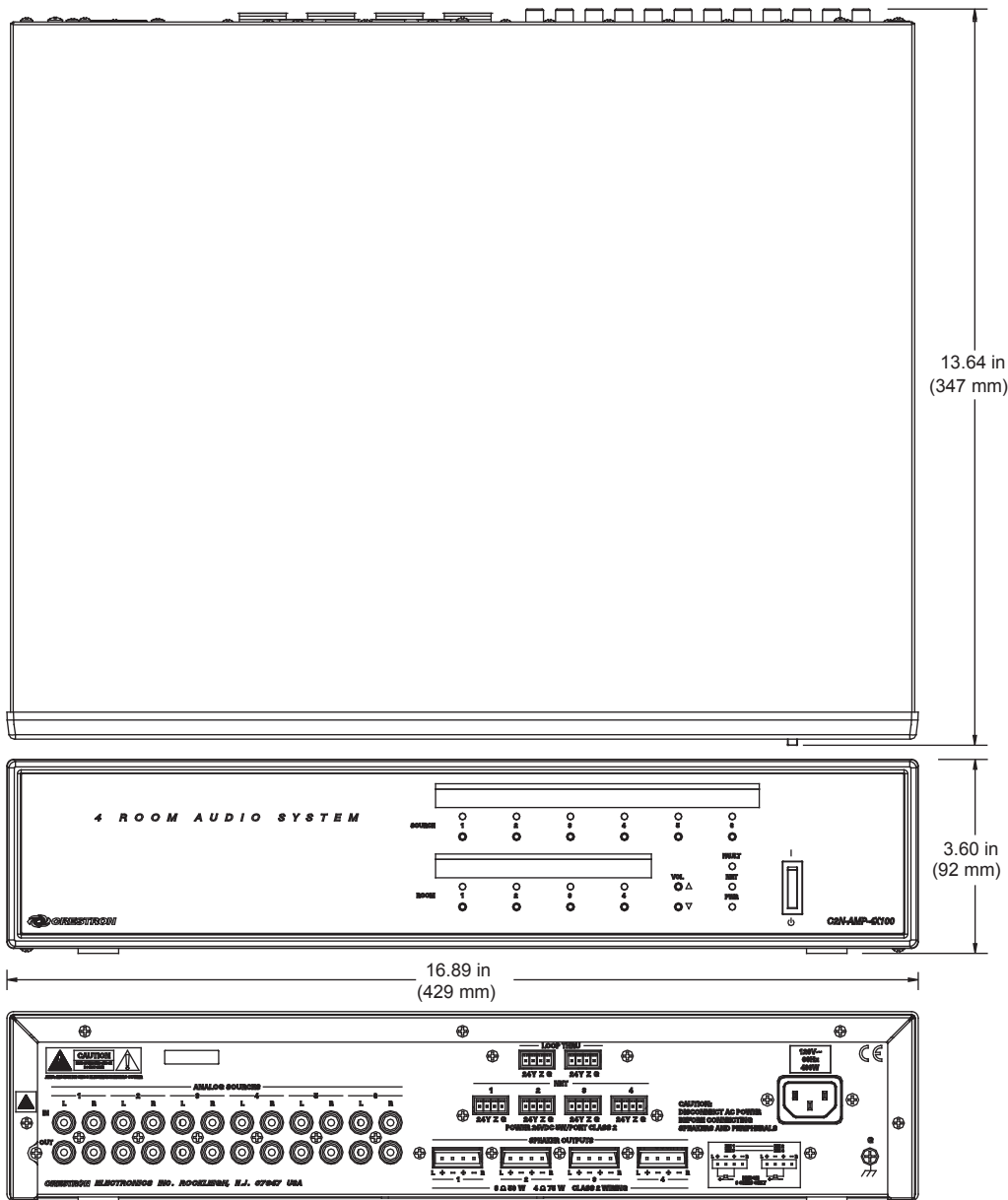
The volume level of a connected room can be controlled when the room is in the *Volume Control* mode. To switch to the *Volume Control* mode:

1. Press and hold the **ROOM** button of the room to be controlled for two seconds.
  - Press **▼** or **▲** to change the volume in 1 dB increments.
  - Hold **▼** or **▲** for more than one second, to ramp the volume up or down in 1 dB/0.1 second increments.
2. If the maximum volume or minimum volume is reached, all front panel LEDs will blink three times. Press the **ROOM** button again to exit the *Volume Control* mode. If **▼** or **▲** is not pressed for 10 seconds, the amplifier will automatically exit the *Volume Control* mode.

# C2N(I)-AMP-4X100

## 4 Room Audio Processor Amplifier

### 6 Dimensions



### 7 Specifications

SPECIFICATION	DETAILS
Audio	
Controls	Volume, Balance, Bass, Treble, Loudness, Mute, Mono, Input Compensation
Volume Gain Range	-80dB to +20dB, 1 dB steps
Mute	-100dB (electronic)
Input Compensation	±10dB
Bass Gain Range	±12dB @ 100Hz, 2dB steps
Treble Gain Range	±12dB @ 10kHz, 2 dB steps
Frequency Response	20Hz to 20kHz ±1.0dB
S/N Ratio	103dB, 20Hz to 20kHz A-weighted
THD + N	0.8%, 20Hz to 20kHz
Stereo Separation	>70dB
Power Requirements	
Main Power	120 Volts AC, 60 Hz (C2N-AMP-4X100) 230 Volts AC, 50/60 Hz (C2NI-AMP-4X100)
Available Network Power	5 Watts per each NET 1-4 connection (no power on "Loop-Thru"); 24 Volts DC
Environmental	
Temperature	41° to 122°F (5° to 50°C)
Humidity	10% to 90% RH (non-condensing)
Dimensions	
Height	3.60 in (92 mm)
Width	16.89 in (429 mm)
Depth	13.64 in (347 mm)
Weight	20.0 lb (9.0 kg)

Crestron, the Crestron logo, Cresnet, and Crestron Toolbox are either trademarks or registered trademarks of Crestron Electronics, Inc. in the United States and/or other countries. Other trademarks, registered trademarks and trade names may be used in this document to refer to either the entities claiming the marks and names or their products. Crestron disclaims any proprietary interest in the marks and names of others. ©2011 Crestron Electronics, Inc.

### 3

For Regulatory Compliance information, refer to the latest version of Doc. 7289.

QUICKSTART DOC. 7288A (2032394, Sheet 2 of 2) 11.11

[www.crestron.com](http://www.crestron.com)

888.273.7876

201.767.3400

Specifications subject to change without notice.

