

MediaManager overview

MediaManager is Crestron's family of innovative products designed to deliver complete system solutions that are easier and more cost-effective to install. MediaManager systems provide high-performance multimedia signal routing, processing, and amplification, plus full device control and remote asset management. Whether installing a single boardroom or a campus-wide network of AV systems, MediaManager delivers power and value far beyond conventional products and designs.

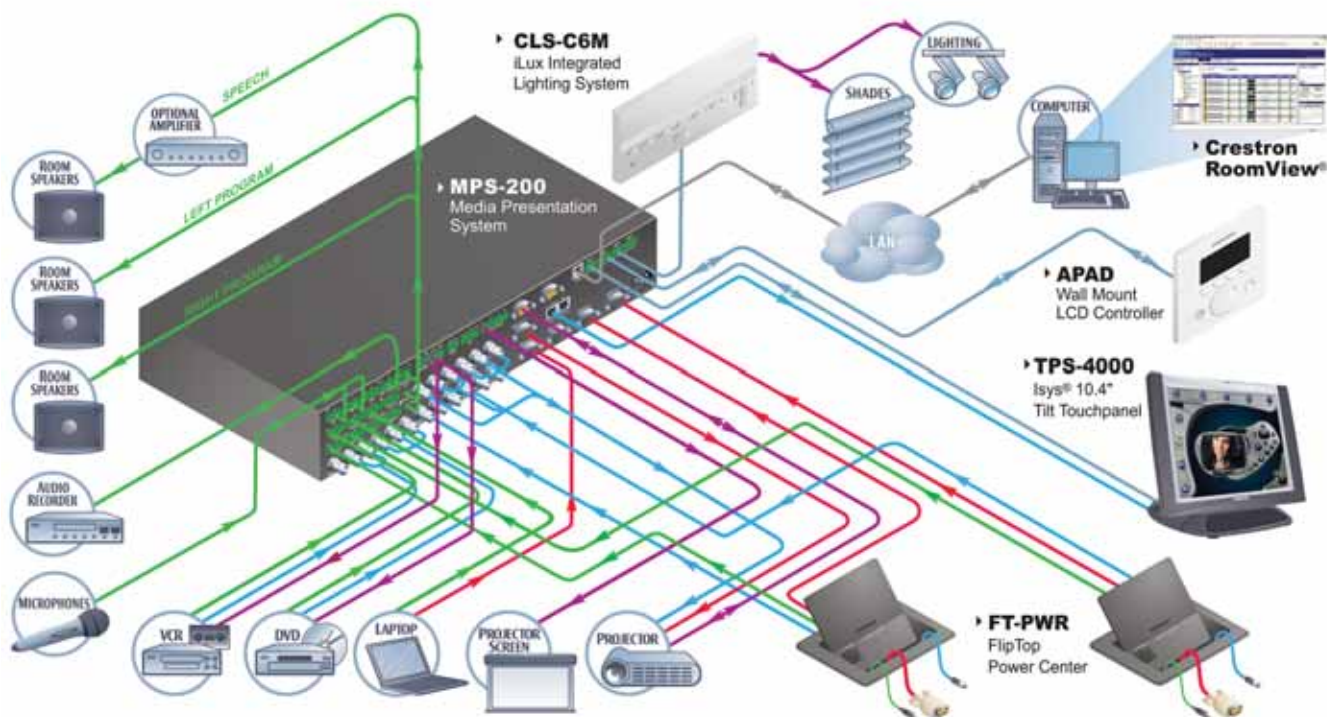
Crestron's new **MPS Multimedia Presentation Systems** are the culmination of everything MediaManager stands for, integrating the system switcher, audio processor, mic mixer, amplifier, and control system into a single box for an extremely versatile yet cost-competitive multimedia system solution.

Integral to MPS and many other MediaManager products, Crestron's revolutionary **QuickMedia™** transport enables distribution of high-resolution RGB, HD video, stereo audio and microphone signals over a single inexpensive CAT5e type cable. QuickMedia simplifies system design and cuts the time and expense of wiring dramatically.

With MediaManager, every room is connected, and Crestron's **iMedia** products truly make that possible with the industry's simplest, lowest-cost multimedia presentation solution ever. An iMedia system can be installed in minutes, making it the perfect choice for equipping every meeting room and classroom no matter the budget.

MediaManager encompasses a complete range of thoughtful and inventive products, including the popular **MP2 Integrated AV Control Systems**, and Crestron's smallest Ethernet control system the **QM-RMC** with its hundreds of uses. Amazing **FlipTop Touchpanels** bring a new statement of elegance and convenience to the ever-expanding line of FlipTop boxes, delivering a range of choices for multimedia interface and control in a stylish flush-mount tabletop design. **QM-Series 3-Channel Amplifiers** wrap up the Media-Manager family perfectly, providing low-cost, high-performance amplification for both multimedia presentation and speech reinforcement.

Typical Multimedia Presentation System Application



See end of section for additional diagrams

MediaManager cross reference

	MPS Systems				MP2 Systems		FlipTops (non-QM)			
	MPS-100	MPS-200	MPS-300	MPS-400	MP2E	MP2	C2N-MMS Switcher	C2N-FT-TPS4 Control Center	C2N-FTB Control Center	FT-PWR Power Center
Mounting										
Wall Plate										
FlipTop Box								•	•	•
Rack Mount	2U	2U	2U	2U	1U	1U	1U			
Surface Mount										
Projector Pole Mount										
User Interface										
Front Control Panel	•	•	•	•						
AlphaNumeric LCD Display	•	•	•	•						
Touchpanel								•		
Programmable Pushbuttons	5	5	5	5				10	10-20 ²	
LED Button Feedback	•	•	•	•					•	
LED Bargraphs									•	
Multimedia Signal Interface										
QuickMedia	•	•	•	•				• ⁴	• ⁴	• ⁴
RGB	•	•	•	•			•	• ⁴	• ⁴	• ⁴
Video/S-Video	•	•	•	•	•	•	•	• ⁴	• ⁴	• ⁴
Component/HDTV	•	•	•	•			• ⁵	• ⁴	• ⁴	• ⁴
Stereo Program Audio	•	•	•	•	•	•		• ⁴	• ⁴	• ⁴
Microphone/Speech Audio		•	•	•				• ⁴	• ⁴	• ⁴
Pull-out Cable Management								• ³	• ³	• ³
LAN Pass-thru								• ³	• ³	• ³
Telephone Pass-thru								• ³	• ³	• ³
120V AC Power Outlet								• ²	•	•
Signal Routing & Processing										
QuickMedia Matrix Switching			•	•						
QM Self-Peaking Audio			•	•						
Video/RGB Input Signal Sensing	•	•	•	•	•	•	•			
Digital Audio Signal Processing		•	•	•	•	•				
Audio Power Amplifier	•	•	•							
Control & Communications										
2-Series Control System	•	•	•	•	•	•				
Out-of-the-Box Functionality	•	•	•	•						
Cresnet Master	•	•	•	•	•	•				
Cresnet Slave					•	•	•	•	•	
10/100 Ethernet	•	•	•	•	•			• ⁶		
Com, IR/Serial, Versiport I/O, Low-Voltage Relay					•	•				
Com (RS-232 Only), IR/Serial, Digital Input, Low-Voltage Relay	•	•	•	•						
IR Wireless via CNXRMI ⁷	•	•	•	•	•	•				

¹ Accessory sold separately

² Optional

³ Third-party cable(s) or receptable required

⁴ Cable management only

⁵ Via DB15HD RGB input/output

⁶ For touchpanel communications only

⁷ Does not include relays

This chart intended for summary comparison only; see each product specification for complete information.

RMC	QM Receivers			QM Transmitters						
QM-RMC Controller	QM-RMCRX-BA Receiver/Controller	QM-RX Receiver	QM-WMC Wall Plate	QM-FTCC-TPS4 Computer Center	QM-FTCC Computer Center	QM-FTDC Data Center	QM-FTMC Media Center	QM-FTMCSC Media Center	QM-FTSC Media Center	QM-TX Transmitter
			•		•	•	•	•	•	
				•						1/2U ¹
	•	•								
	• ¹	• ¹								
				•						
			• ¹	10	10-20 ²	10-20 ²	10-20 ²	10-20 ²	6	
					•	•	•	•	•	
					•	•	•	•	•	
	•	•	•	•	•	•	•	•	•	•
	•	•	•	•	•	•	•	•	•	•
	• ⁵	• ⁵	• ⁵	• ⁵	• ⁵	• ⁵	• ⁵	• ⁵	• ⁵	•
	•	•	•	•	•	•	•	•	•	•
	•		• ¹	•	•	•	•	•	•	
			•	•	• ¹	• ¹	• ¹	•	•	
			• ³	• ³	•	•	•	• ³	• ³	
			• ³			•				
			• ³	•	•	•	•	•	•	
	•	•		•	•	•	•	•	•	•
	•									
	•									
	•	•	•	•	•	•	•	•	•	•
	•	•		• ⁶						
	• ⁷	•	• ⁷							

MediaManager cross reference continued

	QM Extractor	QM Mid-Points				Amplifiers
	QM-AE Extractor	QM-MD7x2 Dist Center	QM-MD5x1 Dist Center	QM-MD8x8 Dist Center	QM-MD4x2 Dist Center	QM-AMP3x80 Amplifiers
Mounting						
Wall Plate						
FlipTop Box						
Rack Mount	1/2U ¹	1U	1U	1U	1U	1U
Surface Mount						
Projector Pole Mount						
User Interface						
Front Control Panel		•	•	•	•	
AlphaNumeric LCD Display						
Touchpanel						
Programmable Pushbuttons						
LED Button Feedback						
LED Bargraphs						
Multimedia Signal Interface						
QuickMedia	•	•	•	•	•	
RGB		•	•			
Video/S-Video		•	•			
Component/HDTV		•	•			
Stereo Program Audio	•	•	•			•
Microphone/Speech Audio	•	•				•
Pull-out Cable Management						
LAN Pass-thru						
Telephone Pass-thru						
120V AC Power Outlet						
Signal Routing & Processing						
QuickMedia Matrix Switching		•		•	•	
QM Self-Peaking Audio	•					
Video/RGB Input Signal Sensing		•	•			
Digital Audio Signal Processing	•	•	•			
Audio Power Amplifier						•
Control & Communications						
2-Series Control System						
Out-of-the-Box Functionality						
Cresnet Master						
Cresnet Slave	•	•	•	•	•	•
10/100 Ethernet						
Com, IR/Serial, Versiport I/O, Low-Voltage Relay						
Com (RS-232 Only), IR/Serial, Digital Input, Low-Voltage Relay						
IR Wireless via CNXRMIRD ⁷						

¹ Accessory sold separately

² Optional

³ Third-party cable(s) or receptable required

⁴ Cable management only

⁵ Via DB15HD RGB input/output

⁶ For touchpanel communications only

⁷ Does not include relays

This chart intended for summary comparison only; see each product specification for complete information.

iMedia cross reference

	IM Transmitters								IM Receivers	
	IM-WCC Wall Plate	IM-WCCV Wall Plate	IM-WCC-S Wall Plate	IM-WCCV-S Wall Plate	IM-TCC Table Mount	IM-TCCV Table Mount	IM-FTCC-B FlipTop	IM-FTCCV-B FlipTop	IM-RXV1 Receiver	IM-RXV3 Receiver
Mounting										
Wall Plate	•	•	2 pc.	2 pc.						
Under Table / Flush Lectern					•	•				
FlipTop							•	•		
Surface Mount									•	•
Projector Pole Mount									• ¹	• ¹
User Controls										
Select Button	•	•	•	•	•	•	•	•		
Volume Control	•	•	•	•	•	•	•	•		
Multimedia Signal Interface										
iMedia Out	•	•	•	•	•	•	•	•		
iMedia In									1	3
RGB	•	•	•	•	•	•	•	•	•	•
Video		•		•		•		•	•	•
Stereo Audio	•	•	•	•	•	•	•	•	•	•
Pull-out Cable Management							•	•		
LAN Pass-thru							• ²	• ²		
120V AC Power Outlet							•	•		
Audio Power Amplifier									•	•
Control & Communications										
Out-of-the-Box Functionality	•	•	•	•	•	•	•	•	•	•
10/100 Ethernet									•	•
Com (RS-232 Only), IR, Digital Input, Low-Voltage Relay									•	•
e-Control & RoomView									•	•

¹ Accessory sold separately

² Third-party cable required

This chart intended for summary comparison only; see each product specification for complete information.