

Isys® Tilt Touchpanels overview

When Crestron introduced the world's first touchpanel-based control system 15 years ago, the AV industry was changed forever. That spirit of innovation has never ceased and today Crestron offers the most advanced and comprehensive line of touchpanels available. Crestron's tilt touchpanel models combine modern styling and cutting-edge technology with the ingenuity and sensibility that only comes with 35+ years of experience.

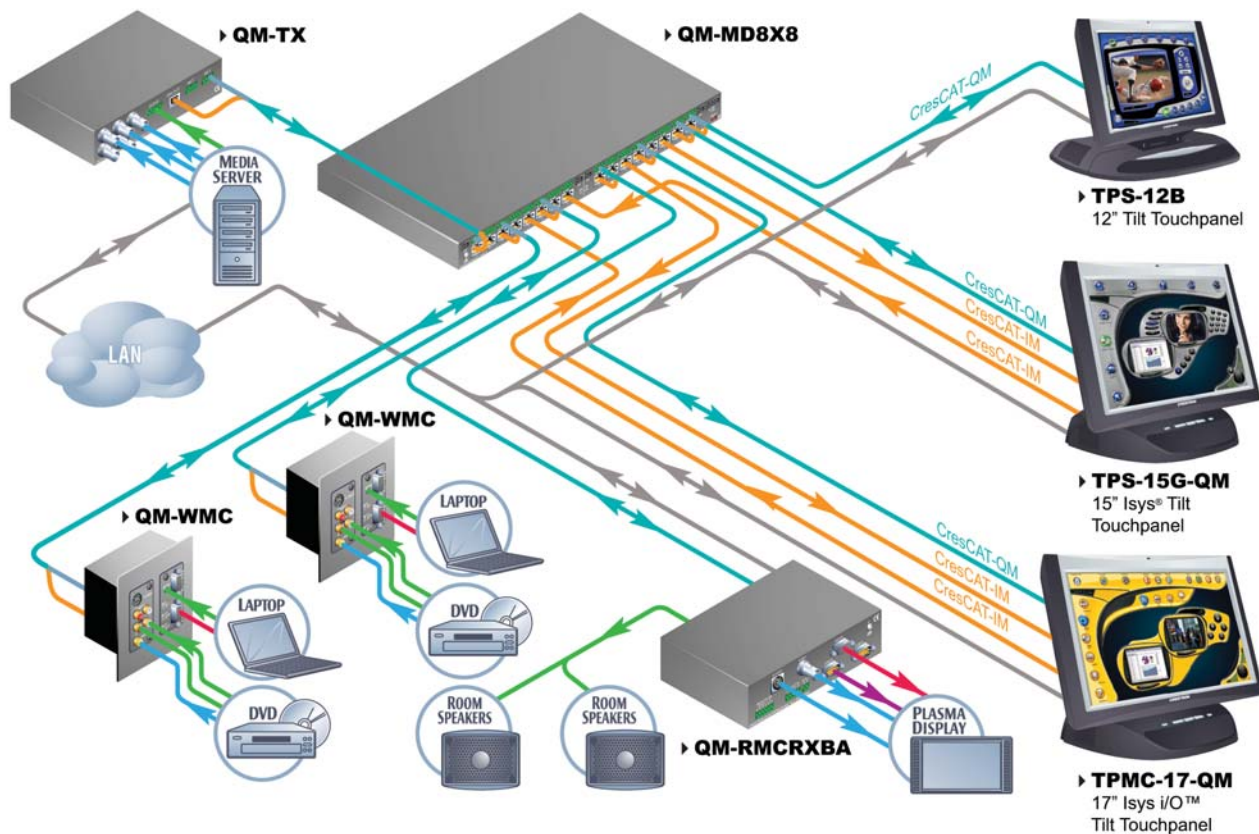
The **TPS Series** of Isys touchpanels ranges from the compact 6.4" TPS-3000 to the spectacular 17" widescreen TPS-17B. Bright, high-contrast displays and a choice of 16-Bit or 24-Bit graphics and video deliver industry-leading touchpanel performance, while every TPS model represents an incredible value compared to previous and current competitive models. The **TPS-G Series** adds dual-window display of both high-definition video and high-res RGB signals. High-speed Ethernet

is also standard on most models, supporting dynamic graphics, Internet connectivity, and enhanced performance and flexibility as part of any sized control network.

Crestron's ground-breaking **Isys i/O TPMC Touchpanel Media Centers** come in either 15" standard or 17" widescreen sizes, and feature the Windows XP Embedded operating system. This powerful platform enables onboard PC capabilities including Web browsing, streaming media, multimedia presentation, and Voice over IP, while also unleashing a host of immensely useful design features like new Dynamic Menu Objects and support for Yahoo! Widgets.

Whether controlling a single boardroom or home theater, or commanding a large facility full of equipment, Crestron tilt touchpanels can deliver a perfect solution for every control application and budget.

Typical Isys Tilt Touchpanel Application using QuickMedia



See end of section for additional diagrams

Isys® Tilt Touchpanels cross reference

	Isys Tilt Touchpanels				
	TPS-17B (or W)	TPS-15B (or W)	TPS-12B (or W)	TPS-4000	TPS-3000
Touchscreen Display					
Display Size	17"	15"	12"	10.4"	6.4"
Aspect Ratio	15:9 WXGA	4:3 XGA	4:3 SVGA	4:3 VGA	4:3 VGA
Resolution	1280 x 768	1024 x 768	800 x 600	640 x 480	640 x 480
Color Depth	24-bit 16.7M	24-bit 16.7M	18-bit 16.7M	18-bit 256k	18-bit 256k
Touchpanel Graphics					
Color Depth	24-bit 16.7M	24-bit 16.7M	24-bit 16.7M	16-bit 64k	16-bit 64k
8-bit Alpha Channel Transparency	•	•	•		
Synapse Image Rendering and Multimode Objects	•	•	•	•	•
Dynamic Text and Animation	•	•	•	•	•
Dynamic Graphics and PNG Translucency	•	•	•		
Dynamic Menu Graphics					
Memory					
RAM	128MB	128MB	128MB	8MB	8MB
Flash	64MB	64MB	64MB	8MB	8MB
Memory Card Slot	up to 4GB	up to 4GB	up to 4GB		
Maximum Project Size	160MB	160MB	160MB	7MB	7MB
Annotation & PC					
Windows XP Embedded OS					
Web Browser and Media Player, Remote Desktop, VoIP, NetMeeting, Yahoo! Widgets, MS Office and Adobe Document Viewers ⁴					
Annotation					
Keyboard/Mouse Input					
Touch-the-PC					
Video/RGB					
Scalable Windows	1	1	1	1	1
Hardware Connections	QM, CH, BNC ¹	QM, CH, BNC ¹	QM, CH, BNC ¹	CH ¹ , BNC ¹	CH ¹ , BNC ¹
Composite	•	•	•	•	•
S-Video	•	•	•	•	•
Component	•	•	•		
HDTV up to 1080i					
RGB up to 1600 x 1200					
Streaming Motion-JPEG					
Media Player (Multiple Formats)					
Display Output					
Audio					
Amplified Speakers and Microphone	•	•	•	•	•
WAV Sound File Audio Feedback	•	•	•	•	•
Network					
Cresnet	•	•	•	•	•
Ethernet	•	•	•		
Wi-Fi ²					
Buttons					
Backlit Softkeys	4	4	4		
Enclosure					
Tiltcase	•	•	•	•	•
Slimline Base	•	•	•	•	•
Integral Rear Cover with Strain Relief	•	•	•	• ³	• ³
Available White Finish	•	•	•		

¹ Connections via outboard IMC interface module (included)

² Wireless NIC required

³ Accessory sold separately

⁴ See product spec for a complete list of embedded applications

